

LFR-6RW

LITEFRAME 6" ROUND LENSED WALL WASH

DATE: _____ LOCATION: _____
 TYPE: _____ PROJECT: _____
 CATALOG #: _____

FEATURES

- 6" LED lensed wall wash delivering 1000–8000 lumens
- Direct Install from below ceiling for New Construction or Remodel applications
- Optional housing accessories available
- Provides smooth, uniform illumination
- 2700K–5000K, 80+ and 90+ CRI (2 SDCM)
- Dimming protocols include 0–10V, Phase (Forward/Reverse), DALI, DMX, and Lutron EcoSystem
- NX Lighting Controls wired and wireless controls capability available



CONTROLS TECHNOLOGY



SPECIFICATIONS

CONSTRUCTION

- Standard Fixture Module designed for Non-IC, Direct Install construction
- Optional Non-IC frame or IC housing available with pre-installed bar hangers
- Die cast aluminum fixture module support ring with spring steel clips for secure mounting to ceiling
- Driver J-Box can be installed and accessed from below the ceiling as direct install or easily snap on to optional housing frame/enclosure
- Light Engine connections use plenum rated (CMP) cable

OPTICS

- Tempered Glass Lens standard
- Provides uniform light distribution down the wall
- High purity spun aluminum reflector, self-flanged
- Specular or Semi-Specular anodized or White painted cone reflector finish/colors
- Painted flange options in White or Black

ELECTRICAL

- Chip-on-board LED with 2 SDCM
- Multiple CCTs, 80+ or 90+ CRI
- Long LED life: L90 at >50,000 hours (TM-21)
- Universal voltage 120–277V driver, 347V optional
- UL Class 2, inherent short circuit and overload protection
- Flicker-free dimming options in a wide range of protocols from 1% to <0.1% performance
- 0–10V, Phase (Forward/Reverse), DALI, DMX, and Lutron EcoSystem options
- NX Lighting Controls provides options for standalone and networked functionality with wired or wireless connectivity for NX system deployments
- Remote emergency battery option available

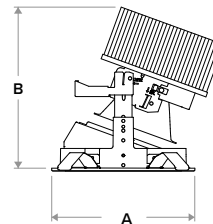
INSTALLATION

- Accommodates ceiling thickness from 0.50" to 1.25"
- Fixture Module including driver fully accessible from above or below the ceiling
- 10L–15L Fixture Modules are inherently protected IC without the use of IC housing enclosure. (IC housing is still recommended when using loose-fill or spray foam insulation types.)

LITEFRAME[™] 2.0



SERVICE PROGRAMS



Typical Dimensions and Weights			
Lumen Package	"A" Diameter Inches (mm)	"B" Height Inches (mm)	Weight lbs (kg)
10L - 35L	7.13 (181)	6.37 (162)	4.9 (2.2)
40L - 50L	7.13 (181)	6.91 (176)	5.1 (2.3)
60L - 80L	7.13 (181)	8.02 (204)	5.7 (2.6)

See DIMENSIONS section for complete details

CERTIFICATIONS

- cCSAus certified to UL 1598
- For ≥60L: Marked spacing required 36" fixture center to center; 18" fixture center to building member; 0.5" above fixture
- IP65 rated (room side) when properly installed per installation instructions
- Suitable for wet locations, covered ceiling
- EMR: Certified under UL 924 standard for emergency lighting and power equipment
- EMR: Emergency battery packs are California Energy Commission (CEC) Title 20 Compliant
- Approved for 8 (4 in/4 out) No. 12AWG conductors rated for 90°C through wiring

WARRANTY

- 5 year warranty

KEY DATA	
Lumen Range	1000–8000
Wattage Range	8–71
Efficacy Range (LPW)	96–107
Reported Life (Hours)	L90 / >50,000
Input Current (mA)	66–592 (120V)

*Based on Specular, 35K, 80 CRI

LFR-6RW

LITEFRAME 6" ROUND LENSED WALL WASH

DATE: _____ LOCATION: _____
 TYPE: _____ PROJECT: _____
 CATALOG #: _____

Gray Shading = Service Program **STOCK** **QS10**
 Limit of 150 Luminaries

ORDERING GUIDE

Example: LFR-6RW-M-10L35K8-LWW-DM1 / LFR-6RW-T-LWW-S / LFR-6RD-H

CATALOG # _____

FIXTURE MODULE

LFR-6RW-M	Lumen Output		CCT		CRI	Distribution	Driver Options	Control Options	Voltage	Module Options
Ap/Shp/Funct	10L	1000	27K	2700K	8 80+	LWW Lensed Wall Wash	DM1 0-10V Dimming to 1%	NX Lighting Controls	<i>Standard</i> 120-277V	CP Chicago Plenum ^{5,6} EMR 6W Emergency Battery Pack (CEC Title 20 Compliant) with remote test switch and indicator light ⁶ DTS Device Transfer Switch with Dimming Bypass ^{6,7}
LFR-6RW-M 6" Round Lensed Wall Wash Fixture Module for Direct Install <i>(Non-IC frame or IC housing available under Housing Options below)</i>	15L	1500	30K	3000K	9 90+		DM01 0-10V Dimming to < 1% ²	Networked Wireless		
	20L	2000	35K	3500K			PDM Phase (Forward/Reverse) Dimming to 1% ²	NXW NX Networked Wireless Radio Module NXRM2 and Bluetooth Programming, without Sensor ³		
	25L	2500	40K	4000K			DMX DMX with RDM dimming to < 0.1% ²	Networked Wired		
	30L	3000	50K	5000K			DALI DALI Dimming to 1% ²	NXE NX Wired Dual RJ45 SmartPORTS, without Sensor ³		
	35L	3500					EDM Lutron Hi-Lume EcoSystem Dimming to 1% ²			
	40L	4000								
	50L	5000								
	60L	6000 ¹								
	70L	7000 ¹								
80L	8000 ¹									

TRIM (Ships separately)

LFR-6RW-T	Distribution	Reflector Finish/Color	Flange Color Options	Lower Trim Options
Aperture/Shape/Function				
LFR-6RW-T 6" Round Lensed Wall Wash Trim Assembly	LWW Lensed Wall Wash	S Specular SS Semi-Specular WC Painted White Cone and Flange	<i>Standard matches reflector color</i> WT White Flange ⁸ BT Black Flange	FM Flush Mount Mud-In Ring ¹¹

HOUSING OPTIONS (Ships separately)

Aperture/Shape/Function
<input type="checkbox"/> LFR-6RD-H 6" Housing Frame, New Construction, Non-IC
<input type="checkbox"/> LFR-6RD-H-IC 6" Housing Enclosure, New Construction, IC Rated ^{9,10}

Accessories	
<input type="checkbox"/> LiteGear	LiteGear® Inverter, 125VA-250VA
<input type="checkbox"/> LPS Series	LightPower Micro-Inverter, 20VA-55VA
<input type="checkbox"/> LF-FMR6-R	Flush Mount Mud-in Ring, 6" ¹¹
<input type="checkbox"/> LF-MOR6-R-WH	Metal Oversized Ring, 6" Round, White (10.12" outside diameter)



Notes:

- 60L and 80L require marked spacing. See line art for more details.
- DM01, PDM, DMX, DALI available up to 50L. EDM available 15L-40L.
- NX requires DM1 driver option.
- 347V requires DM1 driver option; Available 10L-40L; not available with Controls, DTS, EMR.
- CP not available with PDM, DMX, or Controls.
- Module options not available in combination.
- DTS available with DM1, DM01 or DALI.
- WT not needed for WC.
- IC available up to 35L; 10L-15L Fixture Modules are inherently protected IC without the use of IC housing enclosure. (IC housing is still recommended when using loose-fill or spray foam insulation types.)
- IC Housing not for use in combination with Controls or with Module Options CP, EMR, DTS.
- Flush Mount Flange (FM) requires FMR accessory (sold separately).

LFR-6RW

LITEFRAME 6" ROUND LENSED WALL WASH

NX LIGHTING CONTROLS

Control Option Ordering Logic & Description			Control Option Functionality								Control Option Components	
			Networkable	Grouping	Scheduling	Occupancy/Motion	Daylight Harvesting	0-10V Dimming	On/Off Control	Bluetooth App Programming		
NX Wireless	NXW	NX Networked Wireless Radio Module NXRM2 and Bluetooth Programming, without Sensor	✓	✓	✓	-	-	✓	✓	✓		NXRM2-H
NX Wired	NXE	NX Wired Dual RJ45 SmartPORTS, without Sensor	✓	✓	✓	-	-	✓	✓	✓ ¹		NXDSP

¹ Requires NXBTC, order separately.

NX LIGHTING CONTROLS APP



The NX Lighting Controls App is a free to use mobile application for programming both an NX Lighting Controls System or Standalone Bluetooth Sensors. The mobile app allows you to configure devices, discover and setup wireless enabled luminaires and program your NX system settings.



Android



Apple iOS

PERFORMANCE DATA TABLE

Performance data provided below is for 3500K, 80 CRI with Specular Clear reflector finish/color

Lumen Package	Nominal Lumens	Distribution	Delivered Lumens	Watts	LPW
10L	1000	Lensed Wall Wash	787	7.3	108
15L	1500		1211	11.4	106
20L	2000		1559	14.6	107
25L	2500		2053	19.5	105
30L	3000		2514	24.3	103
35L	3500		2952	29.1	101
40L	4000		3269	32.6	100
50L	5000		4071	42.3	96
60L	6000		5049	50.1	101
70L	7000		5876	59.5	99
80L	8000	6746	70.1	96	

LFR-6RW

LITEFRAME 6" ROUND LENSED WALL WASH

DATE: _____ LOCATION: _____

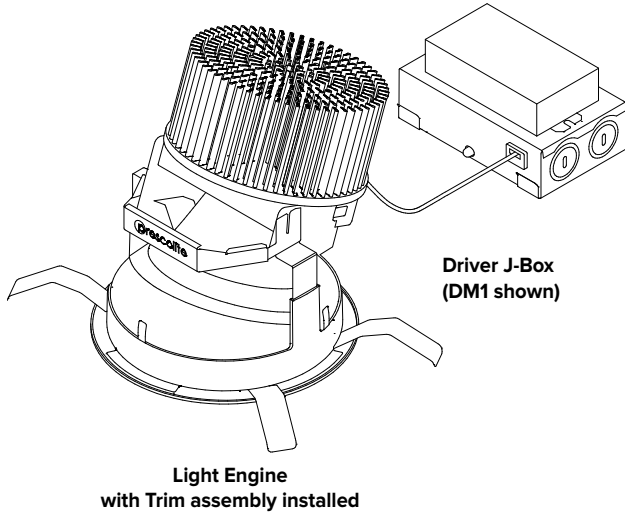
TYPE: _____ PROJECT: _____

CATALOG #: _____

DIMENSIONS

LFR-6RW-M

Fixture Module consists of Light Engine and Driver J-Box assemblies.
Overall dimensions for each are dependent upon configuration selected.
See the following pages for details.

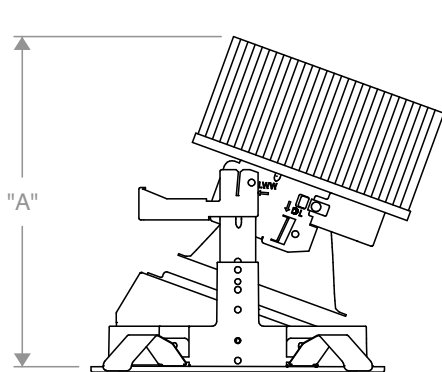


DIMENSIONAL DATA		
APERTURE		ø5.75" (101.6mm)
OVERALL		Ø 7.13" (181.0mm)
FLANGE WIDTH	Standard	0.69" (17.5mm)
	Flush Mount	0.20" (5.1mm)
FLANGE TO FLANGE	Standard	Ø7.13" (136.6mm)
	Flush Mount	Ø6.15" (156.2mm)
CEILING CUTOUT	Standard	Ø6.50" (165.1mm)
	Flush Mount	Ø6.63" (168.4mm)
CEILING THICKNESS		0.50" – 1.25" (12.7 – 31.75mm)

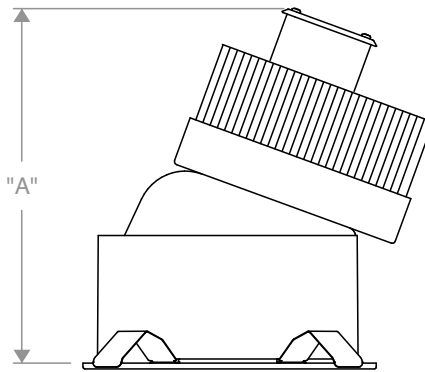
LFR-6RW LIGHT ENGINE

OVERALL LIGHT ENGINE HEIGHT "A" *		
LUMEN PACKAGE	FIXTURE MODULE	BEAM DISTRIBUTION
		LWW
10L-35L	STANDARD	6.37" (161.8mm)
	CP	8.68" (220.5mm)
40L-50L	STANDARD	6.91" (175.5mm)
	CP	8.68" (220.5mm)
60L-80L	STANDARD	8.02" (203.7mm)
	CP	8.68" (220.5mm)

* Note: Add ½" minimum plenum clearance above overall Light Engine Height.
 ** For ≥60L: Marked spacing required 36" fixture center to center, 18" fixture center to building member, 0.5" above fixture.
 *** Non-IC rating requires 3" from insulation and combustible materials.



Side View Standard



Side View CP – Chicago Plenum

LFR-6RW

LITEFRAME 6" ROUND LENSED WALL WASH

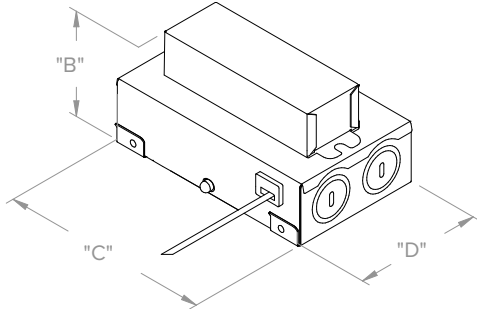
DATE: _____ LOCATION: _____

TYPE: _____ PROJECT: _____

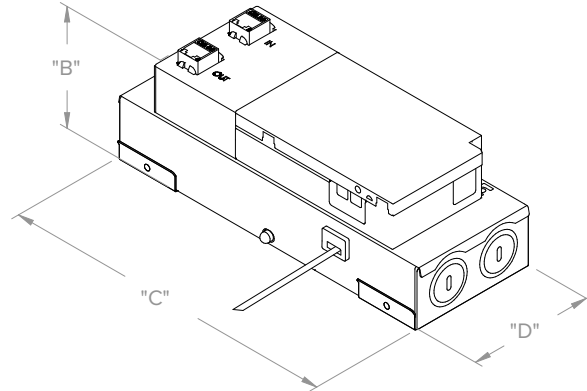
CATALOG #: _____

DIMENSIONS CONTINUED

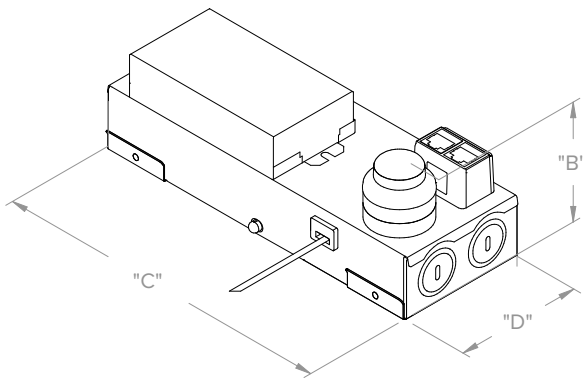
DRIVER J-BOX



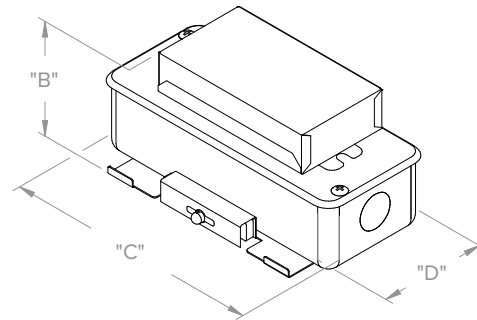
DM1 / DM01 / PDM / DALI



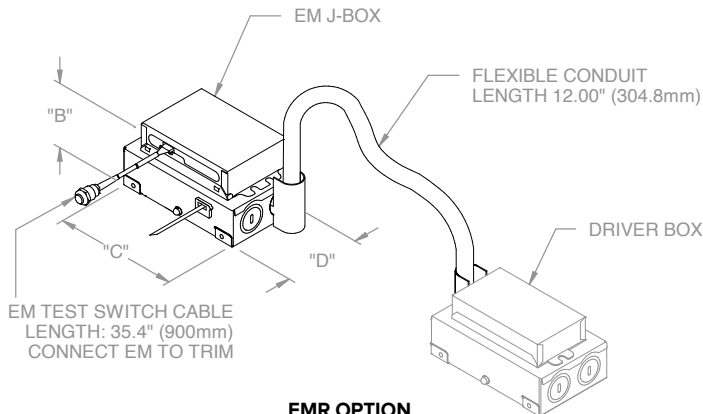
DMX



NX CONTROLS OPTION



CP



EMR OPTION

EMR/Driver J-Box Conduit (provided) connects to Driver J-Box (see Driver J-Box for additional details)

OVERALL DRIVER J-BOX DIMENSIONS (ALL LUMEN OUTPUTS)				
DRIVER/ CONTROLS /OPTIONS	"B" (HEIGHT)	"C" (LENGTH)	"D" (WIDTH)	MINIMUM J-BOX PLENUM CLEARANCE
DM1 / DM01 / PDM / DALI	2.67" (67.8mm)	5.34" (135.6mm)	3.23" (82.0mm)	3.00" (76.2mm)
DMX	3.07" (78.0mm)	8.68" (220.5mm)	3.23" (82.0mm)	3.50" (88.9mm)
NX	3.02" (76.7mm)	8.68" (220.5mm)	3.23" (82.0mm)	3.75" (95.3mm)
EMR	2.73" (69.3mm)	5.34" (135.6mm)	3.23" (82.0mm)	3.00" (76.2mm)
CP	1.89" (73.4mm)	6.50" (165.1mm)	2.72" (69.1mm)	3.00" (76.2mm)

LFR-6RW

LITEFRAME 6" ROUND LENSED WALL WASH

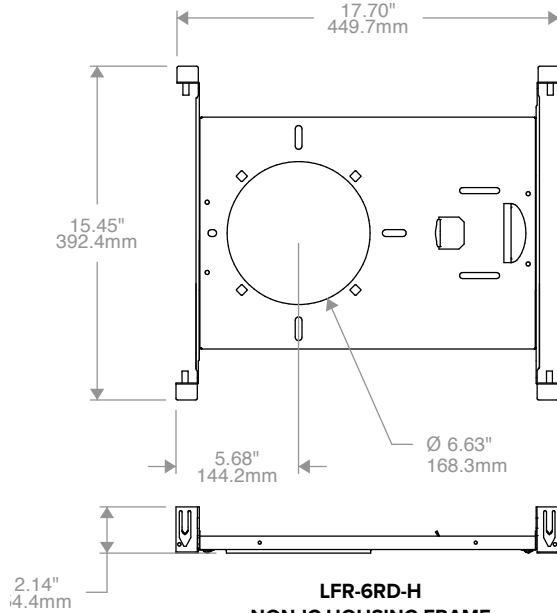
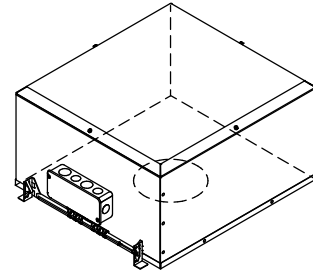
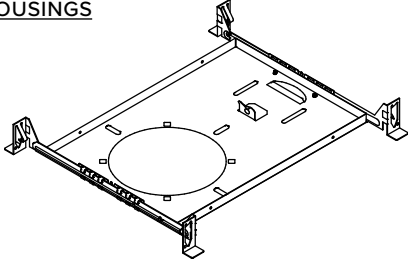
DATE: _____ LOCATION: _____

TYPE: _____ PROJECT: _____

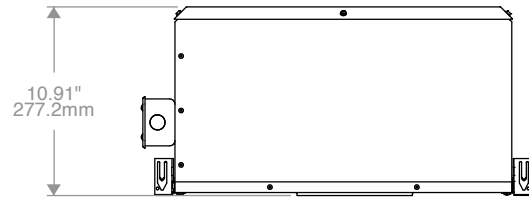
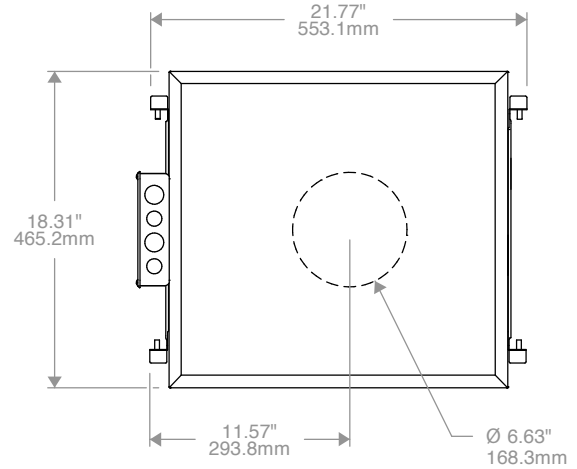
CATALOG #: _____

DIMENSIONS CONTINUED

OPTIONAL HOUSINGS

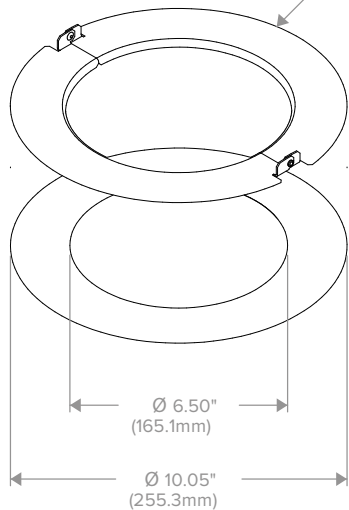


**LFR-6RD-H
NON-IC HOUSING FRAME**



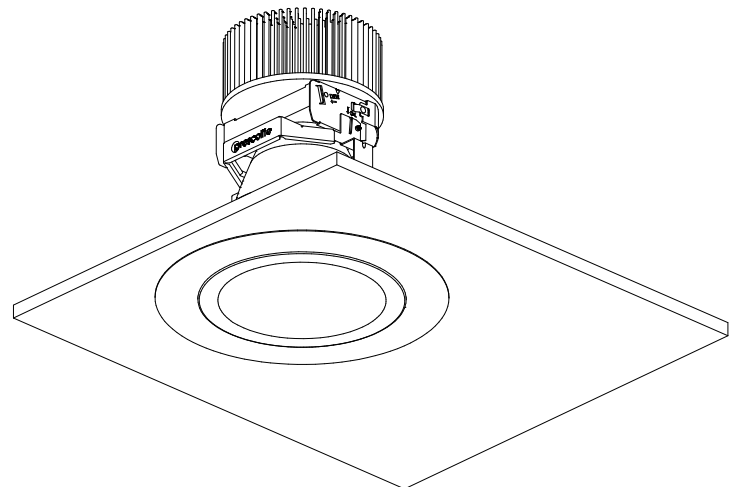
**LFR-6RD-H-IC
IC HOUSING**
Not for use with CP Shroud

Metal 2-piece adapter (included) to be installed above ceiling



**ROUND LF-MOR6-R
METAL OVERSIZED RING**

(See LF-MOR Installation Instruction for more details)



LFR-6RW

LITEFRAME 6" ROUND LENSED WALL WASH

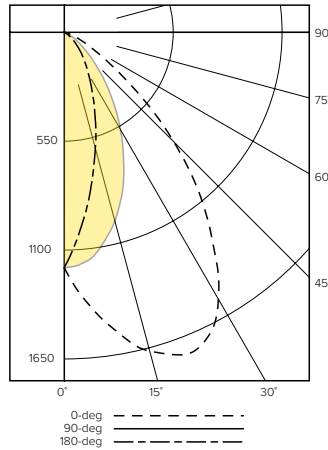
PHOTOMETRY

LFR-6RW-M-20L35K8LWW-DM1 / LFR-6RW-T-LWW-S

LUMINAIRE DATA

Test No.	21.00638
Description	2000 lm, Very Narrow, 3500K, 80 CRI
Delivered Lumens	1559
Watts	14.6W
Efficacy	107.1
Mounting	Recessed

POLAR GRAPH



CANDELA DISTRIBUTION

Degree	Candela
0	1190
5	1376
15	1667
25	1705
35	1312
45	782
55	294
65	88
75	16
85	0
90	0

LUMINANCE DATA*

Vertical Angle	Average
45°	66013
55°	30596
65°	12429
75°	3690
85°	0

*Candela/Square Meter

ZONAL LUMEN SUMMARY

Zone	Lumens	% Luminaire
0-40	1162	74.5
0-60	1518	97.4
0-90	1559	100.0
0-180	1559	100.0

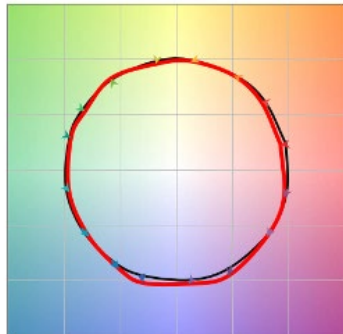
LUMEN MULTIPLIER

Option	27K8	30K8	35K8	40K8	50K8	27K9	30K9	35K9	40K9	50K9
Multiplier	0.93	0.96	1.00	1.01	1.03	0.78	0.82	0.85	0.87	0.89

Photometrics are published below at a nominal 3500 Kelvin, 80+ CRI. This table may be used to approximate the lumen values at different Kelvin temperatures. Power consumption would stay the same.

TM-30 DATA

COLOR VECTOR GRAPHIC 3500K, 90 CRI



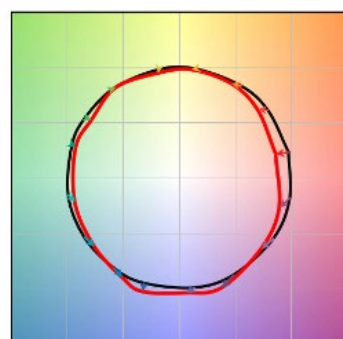
— Reference Illuminant — Test Source

COLOR DISTORTION GRAPHIC 3500K, 90 CRI



TEST RESULTS - 3500K		
Value	80+ CRI	90+ CRI
R _t	85	90
R _g	95	99
CCT (K)	3422	3416
D _{uv}	-0.0008	-0.0019
x	0.4089	0.408
y	0.3906	0.3877
CIE R _a	85	93
CIE R _g	16	66

COLOR VECTOR GRAPHIC 3500K, 80 CRI



— Reference Illuminant — Test Source

COLOR DISTORTION GRAPHIC 3500K, 80 CRI



LFR-6RW

LITEFRAME 6" ROUND LENSED WALL WASH

ELECTRICAL DATA

DRIVER DATA		
Input Voltage	120–277 V	347 V
Input Frequency	50/60 Hz	50/60 Hz
Power Factor	≥0.90	≥0.90
THD	<20%	<20%
EMI Filtering (FCC 47 CFR Part 15)	Class A	Class A

* Values for DM1 option shown, values for other dimming options may vary.

ADDITIONAL INFORMATION

Dimming Compatibility

For more details and recommended dimmer list, see Dimming Compatibility Information on currentlighting.com/prescolite.

DMX

See instruction sheet on currentlighting.com/prescolite for connection & installation information.

Central Inverters

For full fixture output in back-up mode, we recommend you visit currentlighting.com/dual-lite for your Central Lighting Inverter options. Please contact your local Current representative for any assistance with proper sizing and loading of your inverter selection. Central lighting inverters must be ordered separately.

Lumen Output in Emergency Mode

To determine the lumen output in emergency mode, multiply the battery pack wattage by the fixture lumens per watt (LPW). For example, 6W x 120 LPW = 720 lumens in emergency mode.