

LFR-6SQW SpectraSync

LITEFRAME 6" SQUARE LENSED WALL WASH
 WITH COLOR TUNING

LITEFRAME[™]
 2.0

FEATURES

- 6" LED lensed wall wash delivering 1000–3000 lumens
- Direct Install from below ceiling for New Construction or Remodel applications
- Optional housing accessories available
- Provides smooth, uniform illumination
- SpectraSync™ Color Tuning technology allows the flexibility to tailor CCT to aesthetic preferences
- Available in Dim to Warm (2200K–3000K) or Tunable White (2700K–5000K or 2700K–6500K), 90+ CRI
- NX Lighting Controls wired and wireless controls capability available

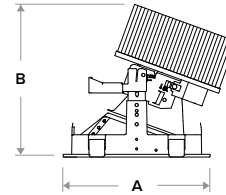


SERVICE PROGRAMS

STOCK



CONTROLS TECHNOLOGY



Typical Dimensions and Weights			
Lumen Package	"A" Width Inches (mm)	"B" Height Inches (mm)	Weight lbs (kg)
10L - 30L	7.38 (187)	5.92 (150)	4.6 (2.1)

See DIMENSIONS section for complete details

SPECIFICATIONS

CONSTRUCTION

- Standard Fixture Module designed for Non-IC, Direct Install construction
- Optional Non-IC frame or IC housing available with pre-installed bar hangers
- Die cast aluminum fixture module support ring with spring steel clips for secure mounting to ceiling
- Driver J-Box can be installed and accessed from below the ceiling as direct install or easily snap on to optional housing frame/enclosure
- Light Engine connections use plenum rated (CMP) cable

OPTICS

- Tempered Glass Lens standard
- Provides uniform light distribution down the wall
- High purity, 4 panel aluminum reflector, self-flanged
- Specular or Semi-Specular anodized or White painted cone reflector finish/colors
- Painted flange options in White or Black

ELECTRICAL

- LED array with 3 SDCM color consistency
- Dim to Warm (2200K–3000K) or Tunable White (2700K–5000K or 2700K–6500K) options available
- 90+ CRI standard
- Long LED life: L70 at >60,000 hours (TM-21)
- Universal voltage 120V–277V driver,
- UL Class 2, inherent short circuit and overload protection, RoHS compliant
- Flicker free 0–10V dimming to 5%
- NX Lighting Controls provides options for standalone and networked functionality with wired or wireless connectivity for NX system deployments
- Remote emergency battery option available

INSTALLATION

- Accommodates ceiling thickness from 0.50" to 1.25"
- Fixture Module including driver fully accessible from above or below the ceiling
- 10L Fixture Modules are inherently protected IC without the use of IC housing enclosure. (IC housing is still recommended when using loose-fill or spray foam insulation types.)

CERTIFICATIONS

- cCSAus certified to UL 1598
- Suitable for wet locations, covered ceiling
- EMR: Certified under UL 924 standard for emergency lighting and power equipment
- EMR: Emergency battery packs are California Energy Commission (CEC) Title 20 Compliant
- Approved for 8 (4 in/4 out) No. 12AWG conductors rated for 90°C through wiring

WARRANTY

- 5 year warranty

KEY DATA	
Lumen Range	1000–3000
Wattage Range	12–42
Efficacy Range (LPW)	62–77
Reported Life (Hours)	L70 / >60,000
Input Current (mA)	100–350 (120V)

*Based on Specular, 30K, 90 CRI

LFR-6SQW SpectraSync

LITEFRAME 6" SQUARE LENSED WALL WASH
WITH COLOR TUNING

Gray Shading = Service Program **STOCK**

ORDERING GUIDE

Example: LFR-6SQW-M-10L2230TD9-LWW-DMTW / LFR-6SQW-LWW-S / LFR-6SQD-H

CATALOG #

FIXTURE MODULE

LFR-6SQW-M	Lumen Output		CCT	CRI	Distribution	Driver Options	Control Options	Voltage	Module Options		
Ap/Shp/Funct	10L	1000	2230TD	9	90+	LWW Lensed Wall Wash	DMTW SpectraSync™ Dim to Warm, 0–10V Dimming to 5% ¹	DMT SpectraSync™ Tunable White, 0–10V Dimming to 5% ²	NX Lighting Controls <u>Networked Wireless</u> NXW NX Networked Wireless Radio Module NXR2 and Bluetooth Programming, without Sensor <u>Networked Wired</u> NXE NX Wired Dual RJ45 SmartPORTS, without Sensor	Standard 120–277V	CP Chicago Plenum ^{3,4} EMR 6W Emergency Battery Pack (CEC Title 20 Compliant) with remote test switch and indicator light ⁴ DTS Device Transfer Switch with Dimming Bypass ⁴
LFR-6SQW-M 6" Square Lensed Wall Wash Fixture Module for Direct Install <i>(Non-IC frame or IC housing available under Housing Options below)</i>	15L	1500									
	20L	2000	2750T								
	25L	2500									
	30L	3000	2765T								

TRIM (Ships separately)

LFR-6SQW-T	Distribution	Reflector Finish/Color	Flange Color Options	Lower Trim Options
Aperture/Shape/Function				
LFR-6SQW-T 6" Square Lensed Wall Wash Trim Assembly	LWW Lensed Wall Wash	S Specular SS Semi-Specular WC Painted White Cone and Flange	<i>Standard matches reflector color</i> WT White Flange ⁵ BT Black Flange	FM Flush Mount Flange ⁸

HOUSING OPTIONS (Ships separately)

Aperture/Shape/Function
<input type="checkbox"/> LFR-6SQD-H 6" Housing Frame, New Construction, Non-IC
<input type="checkbox"/> LFR-6SQD-H-IC 6" Housing Enclosure, New Construction, IC Rated ^{6,7}

Accessories
<input type="checkbox"/> LiteGear LiteGear® Inverter, 125VA–250VA
<input type="checkbox"/> LPS Series LightPower Micro-Inverter, 20VA–55VA
<input type="checkbox"/> LF-FMR6-SQ Flush Mount Mud-in Ring, 6" Square ⁸
<input type="checkbox"/> LF-MOR6-SQ-WH Metal Oversized Ring, 6" Square, White (10.3" outside dimension)



Notes:

- Must select 2230TD with DMTW driver.
- Must select either 2750T or 2765T with DMT driver.
- CP not available with Controls.
- Module options not available in combination.
- WT not needed for WC.
- IC available up to 25L; 10L Fixture Modules are inherently protected IC without the use of IC housing enclosure. (IC housing is still recommended when using loose-fill or spray foam insulation types.)
- IC Housing not for use in combination with Controls or with Module Options CP, EMR, DTS.
- Flush Mount Flange (FM) requires FMR accessory (sold separately).

LFR-6SQW SpectraSync

LITEFRAME 6" SQUARE LENSED WALL WASH WITH COLOR TUNING

NX LIGHTING CONTROLS

Control Option Ordering Logic & Description			Control Option Functionality							Control Option Components		
			Networkable	Grouping	Scheduling	Occupancy/Motion	Daylight Harvesting	0-10V Dimming	On/Off Control			Bluetooth App Programming
NX Wireless	NXW	NX Networked Wireless Radio Module NXRM2 and Bluetooth Programming, without Sensor	✓	✓	✓	-	-	✓	✓	✓		NXRM2-H
NX Wired	NXE	NX Wired Dual RJ45 SmartPORTS, without Sensor	✓	✓	✓	-	-	✓	✓	✓ ¹		NXDSP

1 Requires NXBTC, order separately.

NX LIGHTING CONTROLS APP



The NX Lighting Controls App is a free to use mobile application for programming both an NX Lighting Controls System or Standalone Bluetooth Sensors. The mobile app allows you to configure devices, discover and setup wireless enabled luminaires and program your NX system settings.



Android



Apple iOS

LFR-6SQW SpectraSync

LITEFRAME 6" SQUARE LENSED WALL WASH
WITH COLOR TUNING

SPECTRASYNC™ COLOR TUNING TECHNOLOGY

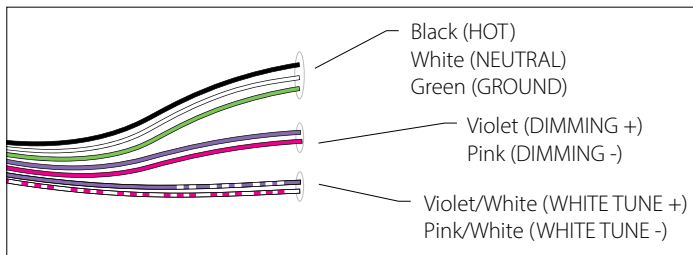
Control your space based on the needs of the application, specific activities throughout the day and preferences of the occupants with distinct SpectraSync™ Color Tuning Technologies.



SPECTRASYNC COLOR TUNING TECHNOLOGY		
Mode	Kelvin Range	Description
Dim to Warm	2200K-3000K	Mimics the familiar warming effect that occurs with traditional incandescent sources as they are dimmed
Tunable White	2700K-5000K 2700K-6500K	Offers users the ability to tailor CCT to their personal preference, enhancing task visibility, material and colors or the aesthetics of the space
Scheduled White	2700K-5000K 2700K-6500K	Mimics the rhythm of natural light or follows an alternative user-defined schedule throughout the day, enhancing an occupant's mood and well-being

SpectraSync Tunable White

Available in two options: 2750T (2700K–5000K) or 2765T (2700K–6500K). Requires two 0–10V controllers, one for intensity and one for CCT. Minimum 5% dimming.

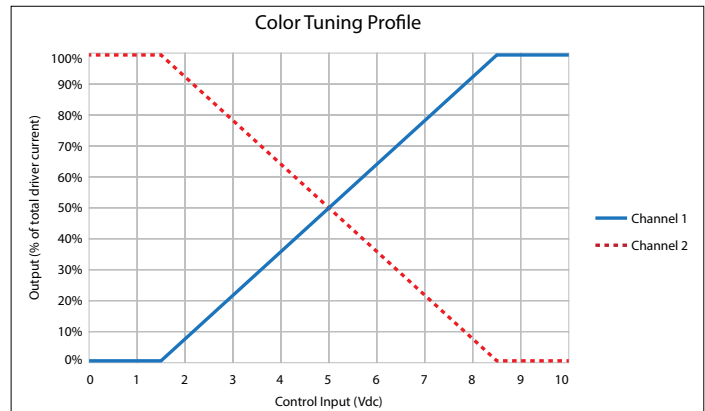


SpectraSync Tunable White luminaires are provided with two 0–10V circuits. The violet and pink circuit is for wiring to any qualified 0–10V controller for dimming. The violet/white and pink/white circuit is for wiring to any qualified 0–10V controller for Tunable White CCT control.

Controller Manufacturer Data

SpectraSync Tunable White was designed to be used with sinking style dimmers (provided by others) and is compatible with:

- Current: NX Lighting Controls Room Controllers (NXRC) and In-fixture Controllers (NXFM)
- Lutron: DVTV, DVSTV, and NFTV dimmers
- Wattstopper: ADF120277 and CD4BL (Titan) dimmers



To enable scheduling and for use with NX wall control preset stations please refer to SpectraSync technical sheet.

PERFORMANCE DATA TABLE

Performance data provided below is for 2230TD, 90 CRI with Specular Clear reflector finish/color

Lumen Package	Nominal Lumens	Distribution	Delivered Lumens	Watts	LPW
10L	1000	Lensed Wall Wash	921	11.9	77
15L	1500		1126	18.3	62
20L	2000		1869	25.1	75
25L	2500		2335	33.0	71
30L	3000		2806	42.0	67

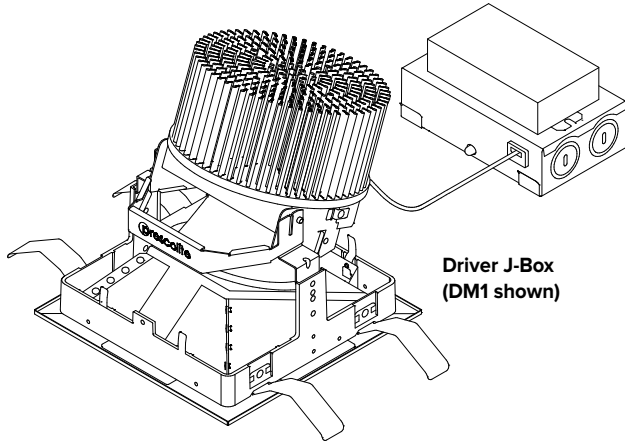
LFR-6SQW SpectraSync

LITEFRAME 6" SQUARE LENSED WALL WASH
WITH COLOR TUNING

DIMENSIONS

LFR-6SQW-M

Fixture Module consists of Light Engine and Driver J-Box assemblies.
Overall dimensions for each are dependent upon configuration selected.
See the following pages for details.



**Light Engine
with Trim assembly installed**

DATE: _____ LOCATION: _____

TYPE: _____ PROJECT: _____

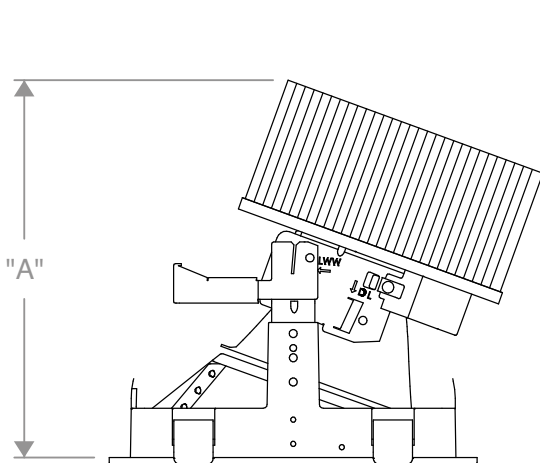
CATALOG #: _____

DIMENSIONAL DATA		
APERTURE		□ 6.00" (152.4mm)
FLANGE WIDTH	Standard	0.69" (17.5mm)
	Flush Mount	0.20" (5.1mm)
FLANGE TO FLANGE	Standard	□ 7.38" (187.4mm)
	Flush Mount	□ 6.40" (162.6mm)
CEILING CUTOUT	Standard	□ 6.75" (171.5mm)
	Flush Mount	□ 6.88" (174.7mm)
CEILING THICKNESS		0.50" – 2.50" (12.7 – 63.5mm)

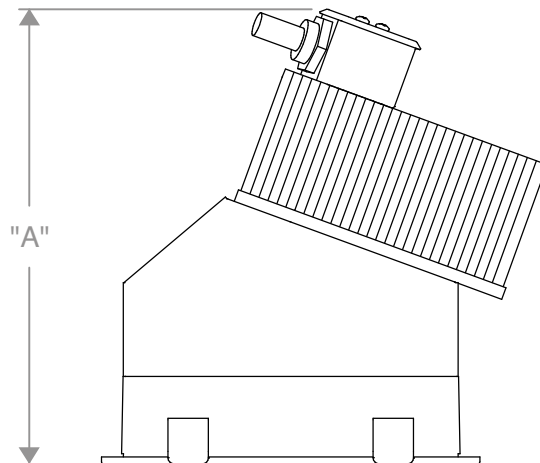
LFR-6SQW LIGHT ENGINE

OVERALL LIGHT ENGINE HEIGHT "A" *		
LUMEN PACKAGE	FIXTURE MODULE	BEAM DISTRIBUTION
		LWW
10L-30L	STANDARD	6.43" (163.3mm)
	CP	8.68" (220.5mm)

* Note: Add 1/2" minimum plenum clearance above overall Light Engine Height.
** Non-IC rating requires 3" from insulation and combustible materials.



Side View Standard



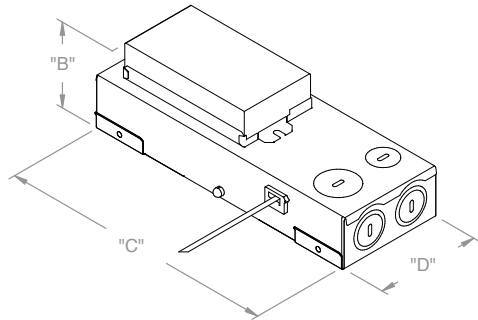
Side View CP – Chicago Plenum

LFR-6SQW SpectraSync

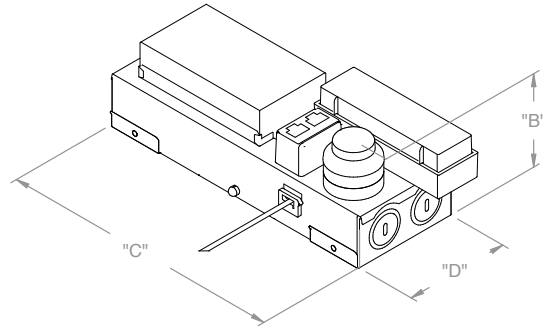
LITEFRAME 6" SQUARE LENSED WALL WASH
WITH COLOR TUNING

DIMENSIONS CONTINUED

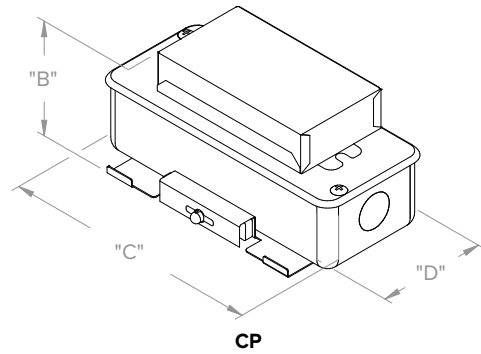
DRIVER J-BOX



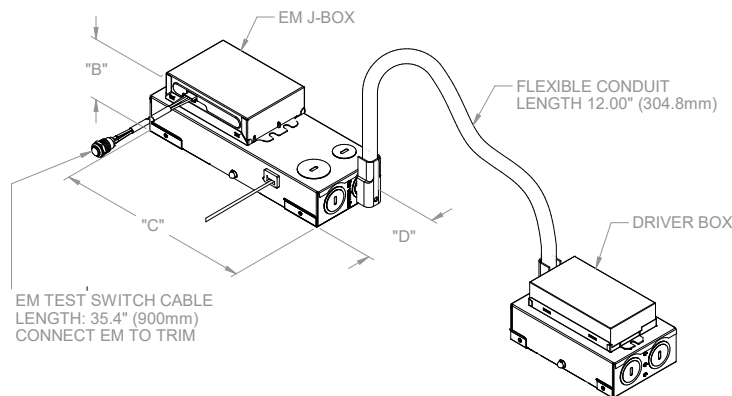
DMT/DMTW



NX CONTROLS OPTION



CP



DMT/DMTW EM/EMR OPTION

EM/EMR/Driver J-Box Conduit (provided) connects to Driver J-Box
(see Driver J-Box for additional details)

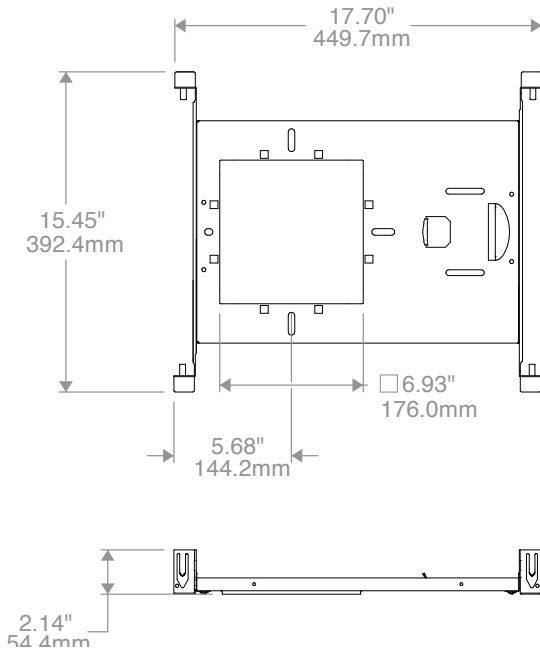
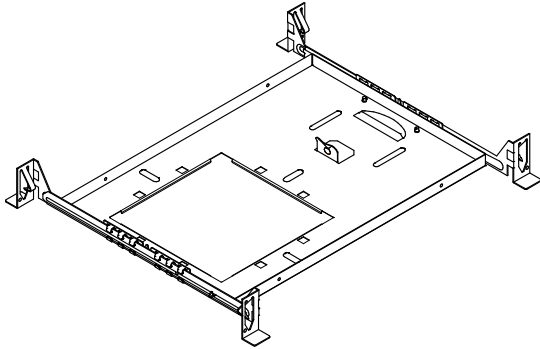
OVERALL DRIVER J-BOX DIMENSIONS (ALL LUMEN OUTPUTS)				
DRIVER/ CONTROLS OPTIONS	"B" (HEIGHT)	"C" (LENGTH)	"D" (WIDTH)	MINIMUM J-BOX PLENUM CLEARANCE
DMT/DMTW	2.67" (67.8mm)	8.68" (220.5mm)	3.23" (82.0mm)	3.00" (76.2mm)
NX	3.02" (76.7mm)	8.68" (220.5mm)	3.23" (82.0mm)	3.75" (95.3mm)
EM	2.73" (69.3mm)	8.68" (220.5mm)	3.23" (82.0mm)	3.00" (76.2mm)
CP	1.89" (73.4mm)	6.50" (165.1mm)	2.72" (69.1mm)	3.00" (76.2mm)

LFR-6SQW SpectraSync

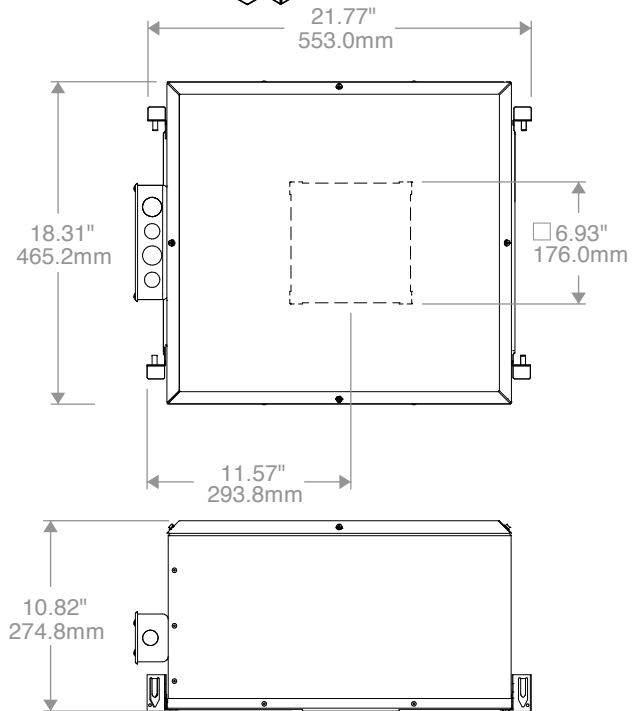
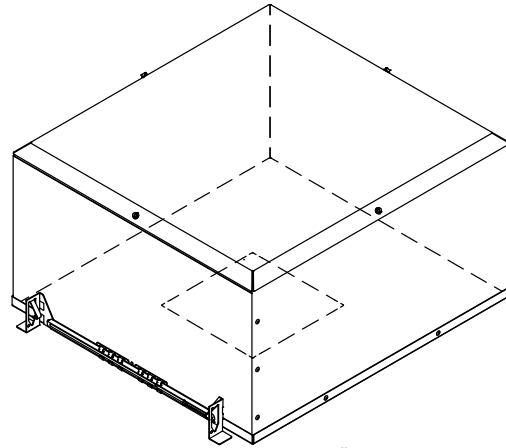
LITEFRAME 6" SQUARE LENSED WALL WASH
WITH COLOR TUNING

DIMENSIONS CONTINUED

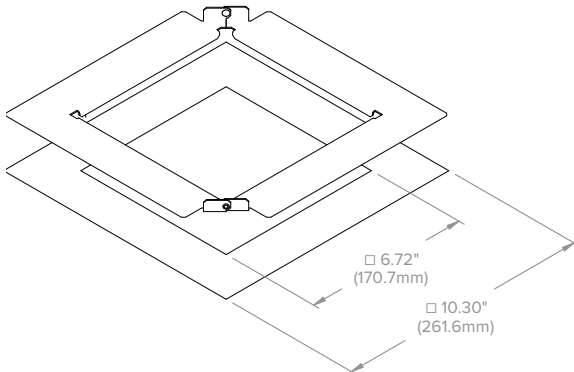
OPTIONAL HOUSINGS



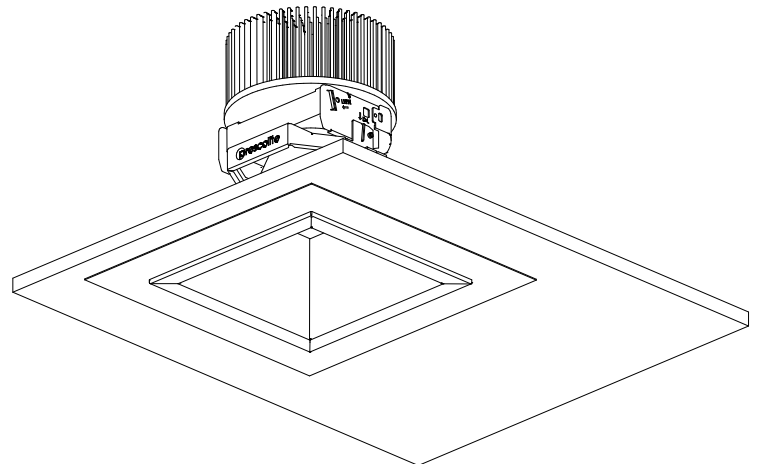
**LFR-6SQD-H
NON-IC HOUSING FRAME**



**LFR-6SQD-H-IC
IC HOUSING**
Not for use with CP Shroud



**LF-MOR6-SQ
METAL OVERSIZED RING**
(See LF-MOR Installation Instruction for more details)



LFR-6SQW SpectraSync

LITEFRAME 6" SQUARE LENSED WALL WASH
WITH COLOR TUNING

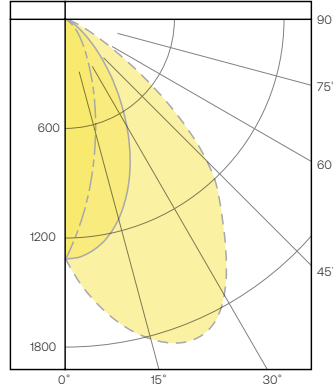
PHOTOMETRY

LFR-6SQW-M-20L2230TD9LWW-DMTW / LFR-6SQW-T-LWW-S

LUMINAIRE DATA

Test No.	22.01200
Description	2000 lm, Lensed Wall Wash, 3000K, 90 CRI
Delivered Lumens	1869
Watts	25W
Efficacy	75
Mounting	Recessed/Ceiling
Beam Angle (FWHM)	57

POLAR GRAPH



CANDELA DISTRIBUTION

Degree	Candela
0	1314
5	1521
15	1815
25	1870
35	1529
45	1090
55	442
65	112
75	21
85	0
90	0

LUMINANCE DATA*

Vertical Angle	Average
45°	66370
55°	33179
65°	11410
75°	3493
85°	0

*Candela/Square Meter

ZONAL LUMEN SUMMARY

Zone	Lumens	% Luminaire
0-40	1326	70.9
0-60	1810	96.8
0-90	1869	100.0
0-180	1869	100.0

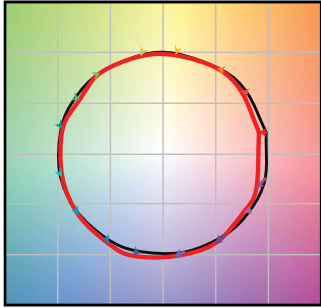
LFR-6SQW SpectraSync

LITEFRAME 6" SQUARE LENSED WALL WASH
WITH COLOR TUNING

TM-30 DATA

SPECTRASYNCTM TUNABLE WHITE (2765T)

COLOR VECTOR GRAPHIC
2700K, 90+ CRI



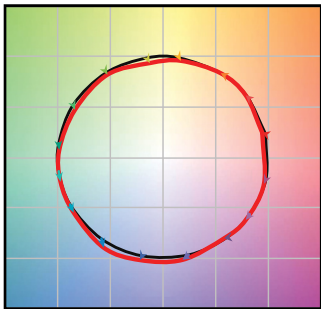
— Reference Illuminant — Test Source

COLOR DISTORTION GRAPHIC
2700K, 90+ CRI



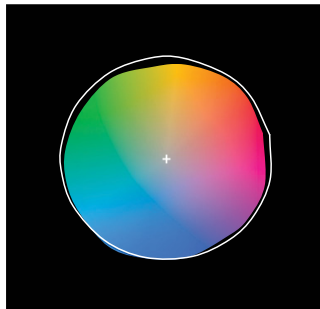
TEST RESULTS - TUNABLE WHITE @ 1500 LUMENS (NOMINAL)			
Value	2700K	4600K	6500K
Luminous Flux (lm)	1469	1779	1692
Wattage (W)	20.5	20.1	20.6
Efficacy (lm/W)	71.7	88.5	82.1
R _r	90	89	87
R _g	97	99	97
CCT (K)	2799	4177	7184
D _{uv}	0.0032	0.0088	0.0024
x	0.4468	0.3680	0.3047
y	0.3992	0.3515	0.3109
CIE R _a	90	94	94
CIE R _g	46.7	85.4	87.7

COLOR VECTOR GRAPHIC
4600K, 90+ CRI

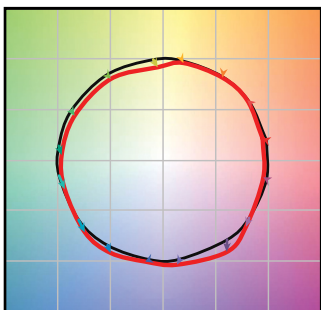


— Reference Illuminant — Test Source

COLOR DISTORTION GRAPHIC
4600K, 90+ CRI

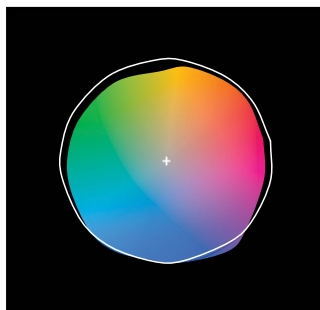


COLOR VECTOR GRAPHIC
6500K, 90+ CRI



— Reference Illuminant — Test Source

COLOR DISTORTION GRAPHIC
6500K, 90+ CRI



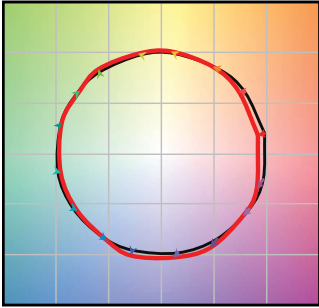
LFR-6SQW SpectraSync

LITEFRAME 6" SQUARE LENSED WALL WASH
WITH COLOR TUNING

TM-30 DATA CONTINUED

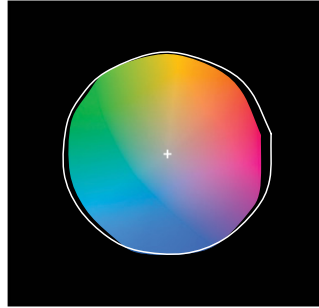
SPECTRASYNCTM DIM TO WARM (2230TD)

COLOR VECTOR GRAPHIC
3000K, 90+ CRI @ 100%



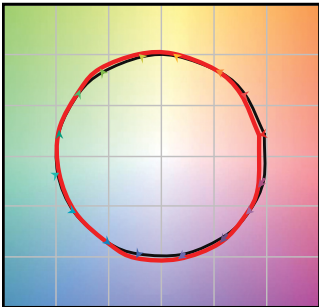
— Reference Illuminant — Test Source

COLOR DISTORTION GRAPHIC
3000K, 90+ CRI @ 100%



TEST RESULTS - DIM TO WARM @ 3 DIMMING LEVELS			
Value	100%	50% Dim	5% Dim
Luminous Flux (lm)	1470	833	50
Wattage (W)	20.3	20.1	20.6
Efficacy (lm/W)	71.7	88.5	82.1
R _r	90	89	87
R _g	97	99	97
CCT (K)	2799	4177	7184
D _{uv}	0.0032	0.0088	0.0024
x	0.4468	0.3680	0.3047
y	0.3992	0.3515	0.3109
CIE R _a	90	94	94
CIE R _g	46.7	85.4	87.7

COLOR VECTOR GRAPHIC
2600K, 90 CRI @ 50% DIM

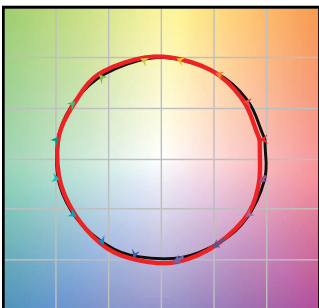


— Reference Illuminant — Test Source

COLOR DISTORTION GRAPHIC
2600K, 90 CRI @ 50% DIM

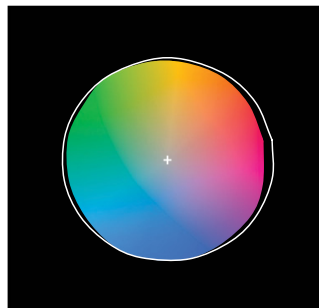


COLOR VECTOR GRAPHIC
2200K, 90 CRI @ 5% DIM



— Reference Illuminant — Test Source

COLOR DISTORTION GRAPHIC
2200K, 90 CRI @ 5% DIM



LFR-6SQW SpectraSync

LITEFRAME 6" SQUARE LENSED WALL WASH
WITH COLOR TUNING

ELECTRICAL DATA

DRIVER DATA	
Input Voltage	120–277 V
Input Frequency	50/60 Hz
Power Factor	≥0.90
THD	<20%
EMI Filtering (FCC 47 CFR Part 15)	Class A

ADDITIONAL INFORMATION

Dimming Compatibility

For more details and recommended dimmer list, see Dimming Compatibility Information on currentlighting.com/prescolite.

Central Inverters

For full fixture output in back-up mode, we recommend you visit currentlighting.com/dual-lite for your Central Lighting Inverter options. Please contact your local Current representative for any assistance with proper sizing and loading of your inverter selection. Central lighting inverters must be ordered separately.

Lumen Output in Emergency Mode

To determine the lumen output in emergency mode, multiply the battery pack wattage by the fixture lumens per watt (LPW). For example, 6W x 120 LPW = 720 lumens in emergency mode.