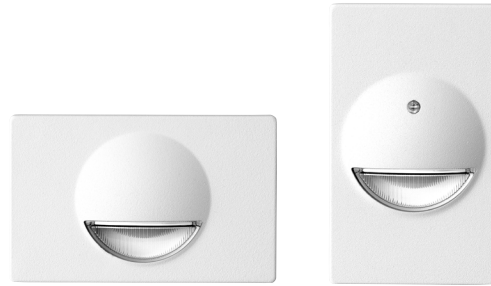


DATE: _____ LOCATION: _____
 TYPE: _____ PROJECT: _____
 CATALOG #: _____

FEATURES

- Simple, low-profile form is architecturally-pleasing and can easily be cleaned
- Designed to reduce risk of ligature, hiding of contraband, and general damage to the luminaire
- Available in either a vertical or horizontal orientation and with either white or amber LEDs
- Rated for wet location environments
- Standard antimicrobial finish available in three standard colors
- Available with optional photocell control



NiteWay-Horizontal

NiteWay-Vertical with photocell

SPECIFICATIONS

CONSTRUCTION

- Die cast aluminum faceplate
- 0.050 aluminum backplate supplied with neoprene gasket
- The molded polycarbonate optical lens is sealed to the backplate with a perimeter neoprene gasket

FINISH

- The faceplate has a polyester powder coat paint finish with an antimicrobial compound additive to inhibit the growth of microbes

LIGHT SOURCE

- NiteWay night light can be specified with either white (3000K) or amber (590nm) LEDs
- The emitter has an L70 of 50,000 hours

ELECTRICAL

- The integral driver is dual voltage (120/277VAC). System power consumption is < 2 watts

INSTALLATION

- The backplate/driver assembly can be mounted to a single-gang electrical junction box or a 4x4 junction box with a plaster reducer ring
- The faceplate is secured to the backplate with the provided set screw or tamper-resistant screw
- For installations requiring two NiteWays to be mounted back to back in the same wall use the TWB accessory

CERTIFICATIONS

- Built and tested to UL 1598 standard and bears the cCSAus label for Wet Locations

WARRANTY

- 5 year warranty. Please consult factory for details

ORDERING GUIDE

Example: NW-H-1-WH-PC-TWB

CATALOG # _____

NW		Nominal Lumens		Color Temp		Finish		Options		
Model		H	V	1	2	WH	BLK	AL	CC	
NW	NiteWay Night Light	Horizontal	Vertical	White (3000K)	Amber (590nm)	White	Black	Aluminum	Custom Color ¹	PC Photocell Control ²

Accessories

TWB Thru Wall Box (4¼"-6" walls)³

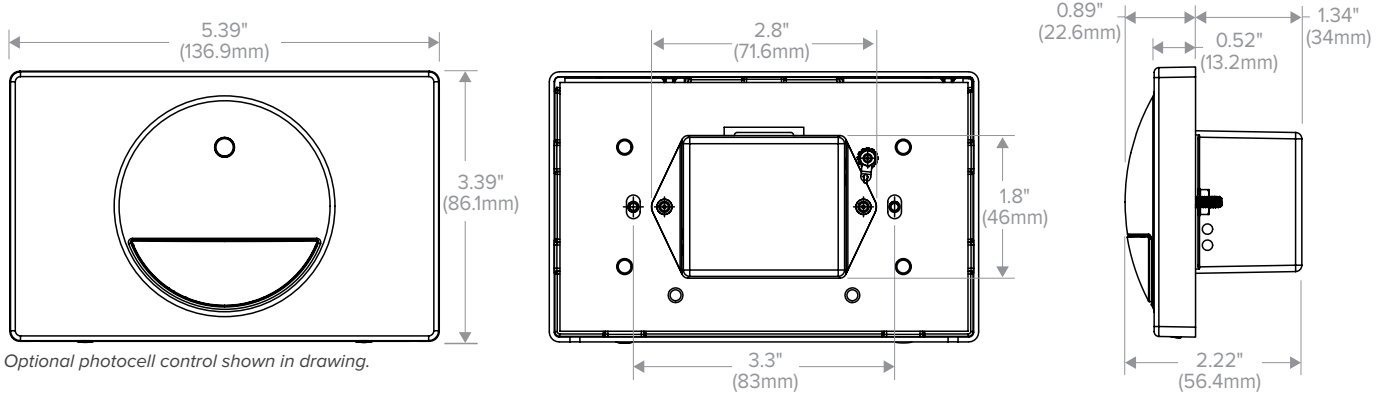
Notes:
 1 Customer to provide RAL number or color chip to match. Additional set-up charges will be applied to the order.
 2 The photocell is factory set to switch Off at 10 fc (± 2.5 fc) of ambient light and switch On when the light level is below 5 fc (± 2.5 fc). The sensitivity of the photocell is not field adjustable, and performance can vary depending on room finishes, mounting location and surrounding objects.
 3 Refer to TWB installation instructions for the dimensions of the TWB accessory.

KEY DATA	
Lumen Range	12-18
Wattage Range	1.9
Efficacy Range (LPW)	6.6-9.6
Life (Hours)	> 50,000
Input Current Range (Amps)	.03

DIMENSIONS

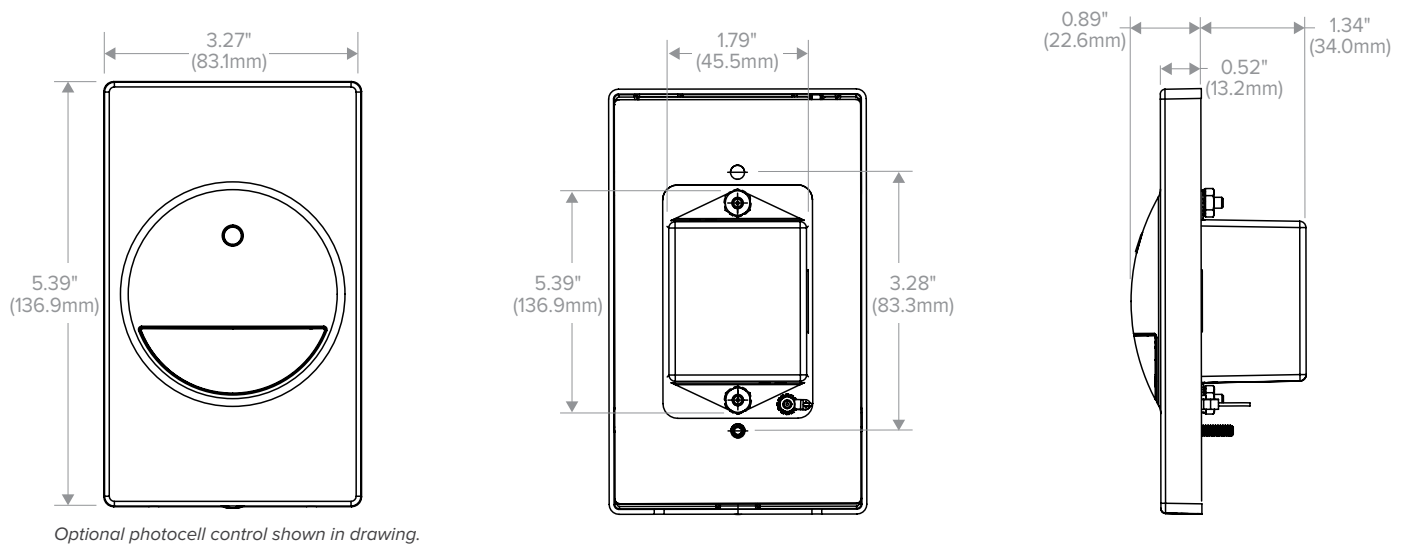
NW-H

NiteWay Horizontal Night Light

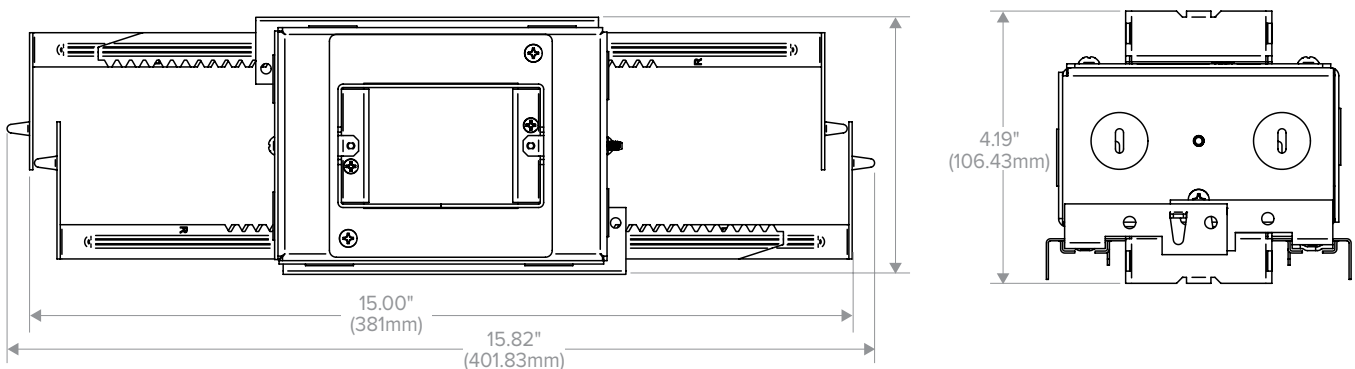


NW-V

NiteWay Vertical Night Light



THRU WALL BOX



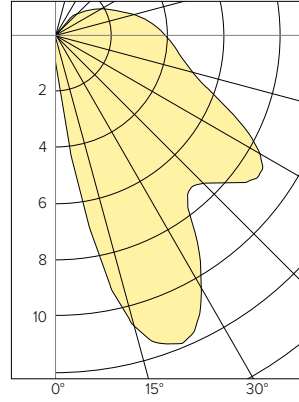
PHOTOMETRY

NW-H-1-WH

LUMINAIRE DATA

Test No.	17.02151
Description	2 - Nichia 3000K LEDs
Delivered Lumens	18.3
Watts	1.9
Efficacy	9.6 Lm/W
Mounting	Wall

POLAR GRAPH



ZONAL LUMEN SUMMARY

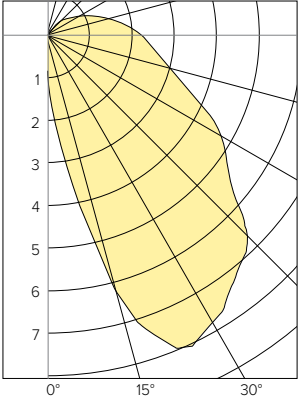
Zone	Lumens	% Fixt.
0-30	3.0	16.5
0-40	5.3	29.0
0-60	9.8	53.8
0-90	15.3	83.6
90-120	2.4	13.3
90-130	2.8	15.2
90-150	3.0	16.4
90-180	3.0	16.4
0-180	18.3	100.0

NW-H-2-WH

LUMINAIRE DATA

Test No.	17.02127
Description	2 - Lumileds 590K LEDs
Delivered Lumens	11.9
Watts	1.8
Efficacy	6.6 Lm/W
Mounting	Wall

POLAR GRAPH



ZONAL LUMEN SUMMARY

Zone	Lumens	% Luminaire
0-40	11,062	68.6
0-60	15,985	99.1
0-90	16,132	100.0
0-180	16,132	100.0
90-120	1.23	10.3
90-130	1.41	11.8
90-150	1.46	12.2
90-180	1.46	12.2
0-180	11.93	100.0

ADDITIONAL INFORMATION

Available Finishes



White (WH)



Black (BLK)



Aluminum (AL)