

# Perimashield PRS

WALLPACK

tradeSELECT®

## FEATURES

- Non-cutoff refractor illuminates surrounding area to enhance safety and security
- Durable polycarbonate lens and die-cast housing are impact resistant
- Photocontrol for automatic off during daylight hours
- Easy to install by one person
- Environmentally friendly with minimal uplight



## SPECIFICATIONS

### HOUSING

- Rugged die-cast aluminum housing
- Lens is made of UV stabilized Polycarbonate with self-retaining screws

### OPTICS

- Prismatic frosted lens is field replaceable
- Type IV Distribution

### INSTALLATION

- Capable of mounting on a minimum of 3-3.5" junction box
- Conduit entrances on bottom and sides

### ELECTRICAL

- 0-10 Volt dimmable driver
- For use in 120-277V applications

### OPTIONS/CONTROLS

- Photocell can be disconnected during installation if not needed

### CERTIFICATIONS

- DLC® (DesignLights Consortium Qualified), as Premium Qualified configurations. Please refer to the DLC website for specific product qualifications at <http://www.designlights.org>
- Fixture is IP65 rated
- Listed to UL1598 for use in wet locations

### WARRANTY

- 5 year warranty

KEY DATA	
Lumen Range	2841–2898
Wattage Range	22.8
Efficacy Range (LPW)	123–125
Weights lbs. (kg)	2.75 (1.2)

## ORDERING GUIDE

### STOCK ORDERING INFORMATION

Catalog Number	Mounting	Distribution	Wattage	Voltage	Delivered Lumens	LPW	CCT/CRI	Weight lbs. (kg)	Color
PRS-20-5K-PC	Wall	Type 4	22.8	120-277	2918	125	5000K/70	2.75 (1.2)	Bronze
PRS-20-4K-PC	Wall	Type 4	22.8	120-277	2870	123	4000K/70	2.75 (1.2)	Bronze

# Perimashield PRS

WALLPACK

## ELECTRICAL DATA

Nominal Wattage	Input Voltage	Oper. Current (Amps)	System Power (Watts)
20	120	0.19	22.8
	208	0.11	
	240	0.10	
	277	0.08	

## PROJECTED LUMEN MAINTENANCE

Ambient Temperature	OPERATING HOURS					
	0	25,000	TM-21-11 36,000	50,000	100,000	L70 (Hours)
25°C / 77°F	1.00	0.95	0.93	0.90	0.81	170,000
40°C / 104°F	0.99	0.94	0.92	0.89	0.80	165,000

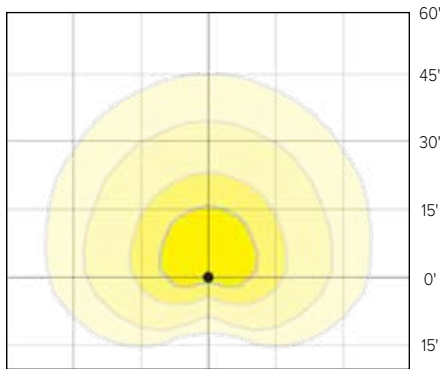
## LUMINAIRE AMBIENT TEMPERATURE FACTOR (LATF)

Ambient Temperature		Lumen Multiplier
0°C	32°F	1.03
10°C	50°F	1.01
20°C	68°F	1.00
25°C	77°F	1.00
30°C	86°F	0.99
40°C	104°F	0.98
50°C	122°F	0.97

Use these factors to determine relative lumen output for average ambient temperatures from 0-40°C (32-104°F).

## PHOTOMETRY

PRS-20



Mounting Height: 10'

# Perimashield PRS

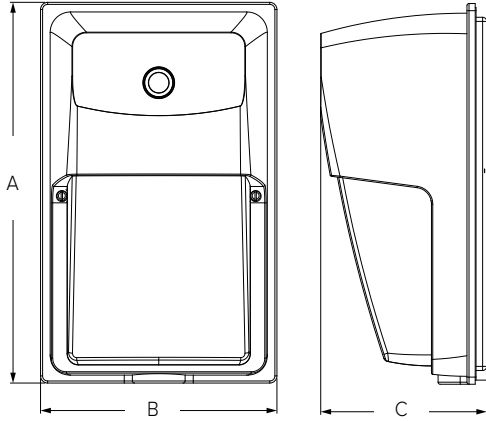
WALLPACK

DATE: \_\_\_\_\_ LOCATION: \_\_\_\_\_

TYPE: \_\_\_\_\_ PROJECT: \_\_\_\_\_

CATALOG #: \_\_\_\_\_

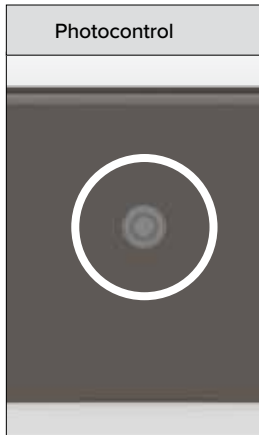
## DIMENSIONS



A	B	C	Weight
10.9" (277mm)	6.8" (172mm)	4.8" (121mm)	2.75lbs (1.25kg)

## ADDITIONAL INFORMATION

### Accessories and Services



Photocontrol comes standard for energy-saving dusk-to-dawn operation

## USE OF TRADEMARKS AND TRADE NAMES

All product and company names, logos and product identifies are trademarks™ or registered trademarks® of Current Lighting, Inc. or their respective owners. Use of them does not necessarily imply any affiliation with or endorsement by such respective owners.