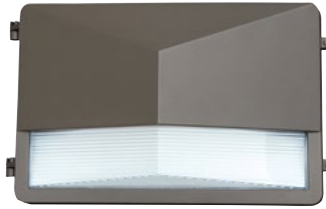


PRELUDE

PRL SERIES - WALLPACK

FEATURES

- Cut off and Refractor Form Wall Pack
- Low profile LED wall luminaire for lighting applications such as retail, commercial and industrial building mount
- Field Selectable Wattages from 18 to 60 Watts
- Lumen Range from 2500-8500 lumens
- Type III Distribution for Full Cut Off configuration, (PRL-C) for applications requiring no up-light
- Type IV Distribution for Refractor Form configuration, (PRL-R) provides a further throw and higher angle light
- Wall Mounted Stylish Fixture contemporary architectural form provides an updated appearance compared to traditional HID wall packs
- Standard back profile makes the prelude perfect for retrofitting old HID glass refractor wall packs.



PRL-R-LS



PRL-C-LS



SPECIFICATIONS

CONSTRUCTION

- Two Styles available - Cut Off and Refractor
- Die-cast aluminum housing
- Strong UV Stabilized Polycarbonate Lens Suitable for Outdoor Use
- Dark bronze texture powder coat paint finish provides durable and lasting appearance

OPTICS

- 4000K CCT/70 CRI
- 2500 to 8500 Lumens
- Efficacy up to 144 LPW

ELECTRICAL

- 0-10 Volt Dimming Driver
- Universal voltage driver is 120-277 Volt
- Ambient Operating Temperature -40°C to 40°C
- Wattage (lumen) switchable
- 4 kV Surge

INSTALLATION

- Mounts to standard round 3-1/2" junction box and can be mounted direct to wall
- Wattage (lumens) easily field adjustable by opening cover with two screws

CERTIFICATIONS

- Listed to UL1598 for use in wet locations
- IP65
- FCC Title 47 Part 15
- DLC® (DesignLights Consortium) Qualified. Please refer to the DLC website for specific product qualifications
- DLC Premium

WARRANTY

- 5 year limited warranty

KEY DATA	
Lumen Range	2500-8500
Wattage Range	18-60
Efficacy Range (LPW)	139-144
Weights lbs. (kg)	5.29 (2.4)

ORDERING GUIDE

STOCK ORDERING INFORMATION

Catalog Number	Mounting	CRI	CCT	Lumens	Distribution	Wattage	Voltage	LPW	Weight	Finish
PRL-R-LS-4K	Wall	70	4000K	2553-8510	Type IV	18-60 Watts	120-277V	142-144	5.29 lbs	Bronze
PRL-C-LS-4K	Wall	70	4000K	2537-8460	Type III	18-60 Watts	120-277V	139-141	5.29 lbs	Bronze

PRELUDE

PRL SERIES - WALLPACK

PERFORMANCE DATA

Description	Nominal Wattage	Dist. Type	4K (4000K NOMINAL 70 CRI)				
			Lumens	LPW	B	U	G
PRL-R	18	4	2553	142	1	3	2
	26		3688	142	1	3	3
	35		4964	142	1	3	3
	43		6099	142	1	4	3
	52		7375	142	1	4	4
	60		8510	144	2	4	4
PRL-C	18	3	2537	141	1	0	1
	26		3665	141	1	0	1
	35		4934	141	1	0	1
	43		6062	141	1	0	1
	52		7331	141	1	0	1
	60		8460	139	2	0	2

ELECTRICAL DATA

Nominal Wattage	Input Voltage	Oper. Current (Amps)	System Power (Watts)
18	120	0.15	18
	208	0.09	
	240	0.08	
	277	0.06	
26	120	0.22	26
	208	0.13	
	240	0.11	
	277	0.09	
35	120	0.29	35
	208	0.17	
	240	0.15	
	277	0.13	
43	120	0.36	43
	208	0.21	
	240	0.18	
	277	0.16	
52	120	0.43	52
	208	0.25	
	240	0.22	
	277	0.19	
60	120	0.50	60
	208	0.29	
	240	0.25	
	277	0.22	

LUMINAIRE AMBIENT TEMPERATURE FACTOR (LATF)

Ambient Temperature		Lumen Multiplier
0°C	32°F	1.03
10°C	50°F	1.01
20°C	68°F	1.00
25°C	77°F	1.00
30°C	86°F	0.99
40°C	104°F	0.98
50°C	122°F	0.97

Use these factors to determine relative lumen output for average ambient temperatures from 0-40°C (32-104°F).

PRELUDE

PRL SERIES - WALLPACK

PROJECTED LUMEN MAINTENANCE

PRL-C-LS-4K

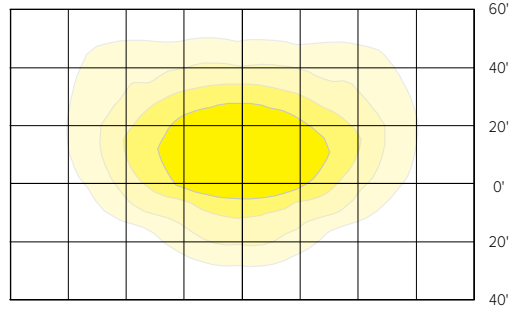
Ambient Temperature	OPERATING HOURS					
	0	25,000	TM-21-11 36,000	50,000	100,000	L70 (Hours)
25°C / 77°F	1.00	96.91	95.99	94.81	90.70	360,000
40°C / 104°F	0.99	96.42	95.31	93.90	89.06	327,000

PRL-R-LS-4K

Ambient Temperature	OPERATING HOURS					
	0	25,000	TM-21-11 36,000	50,000	100,000	L70 (Hours)
25°C / 77°F	1.00	95.62	93.72	91.35	83.38	195,000
40°C / 104°F	0.99	95.13	93.04	90.44	81.74	177,000

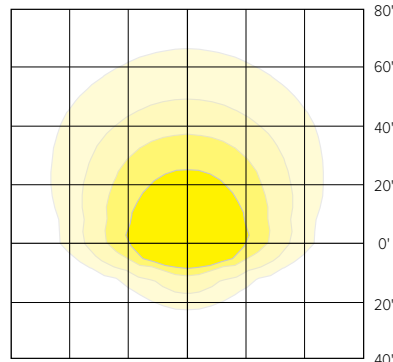
PHOTOMETRY

PRL-C-LS-4K



Mounting Height: 15'

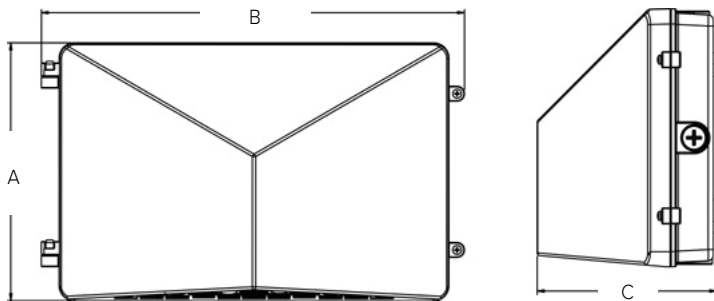
PRL-R-LS-4K



Mounting Height: 15'

DIMENSIONS

PRL-C



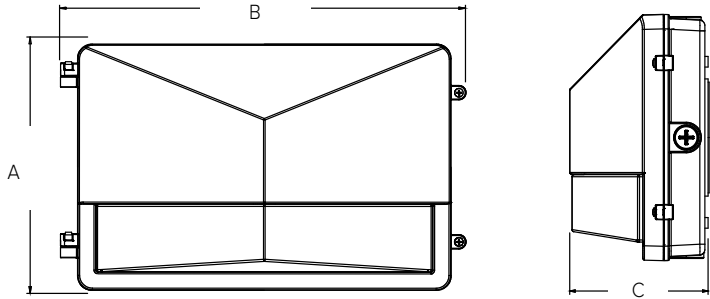
A	B	C	Weight
9.1" (231mm)	14.98" (381mm)	6.36" (163mm)	5.29lbs (2.4kg)

PRELUDE

PRL SERIES - WALLPACK

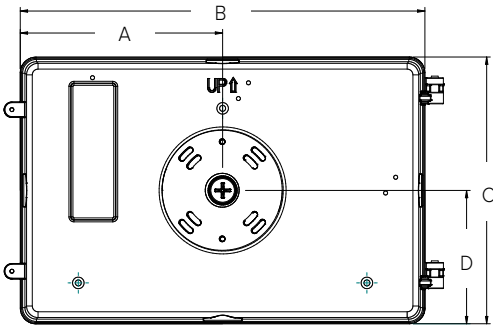
DIMENSIONS (CONTINUED)

PRL-R



A	B	C	Weight
9.1" (231mm)	14.98" (380mm)	5.11" (130mm)	5.29lbs (2.4kg)

Back Mounting Plate



A	B	C	D
6.9" (175mm)	13.8" (351mm)	9.1" (231mm)	4.55" (116mm)

CONTROLLER



Integral dial can be accessed by opening the front housing of the product. Six wattage options are available in each housing style.

USE OF TRADEMARKS AND TRADE NAMES

All product and company names, logos and product identifies are trademarks™ or registered trademarks® of Current Lighting, Inc. or their respective owners. Use of them does not necessarily imply any affiliation with or endorsement by such respective owners.