

## RG4 LED Level Crossing Signal Modules

8 inch (200mm)



Project Name \_\_\_\_\_

Date \_\_\_\_\_ Type \_\_\_\_\_

Notes \_\_\_\_\_



### OUTSTANDING RELIABILITY

---

- Self-contained design provides protection against moisture and dust
- Designed for retrofit into existing housings

### EXCELLENT APPEARANCE & VISIBILITY

---

- Robust LED system design enables high luminous intensity over long product life
- Efficient optical system delivers uniform color

### MEETS RIGOROUS CERTIFICATION & TESTING STANDARDS

---

- Meets AREMA standards
- All lamps undergo comprehensive testing in the manufacturing plant

# RG4 LED Level Crossing Signal Modules

8 inch (200mm)

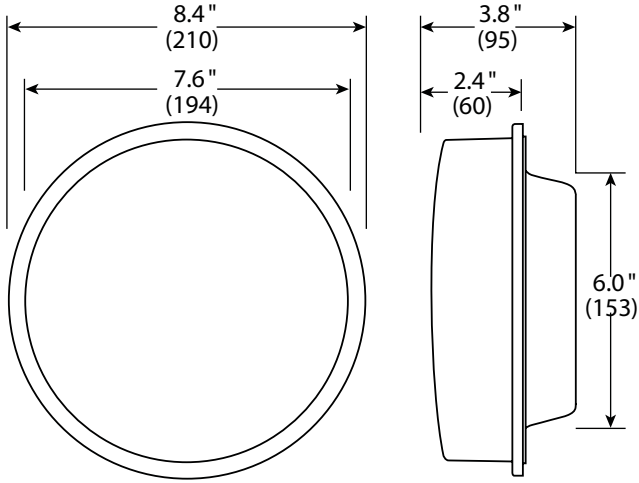
Project Name \_\_\_\_\_

Date \_\_\_\_\_ Type \_\_\_\_\_

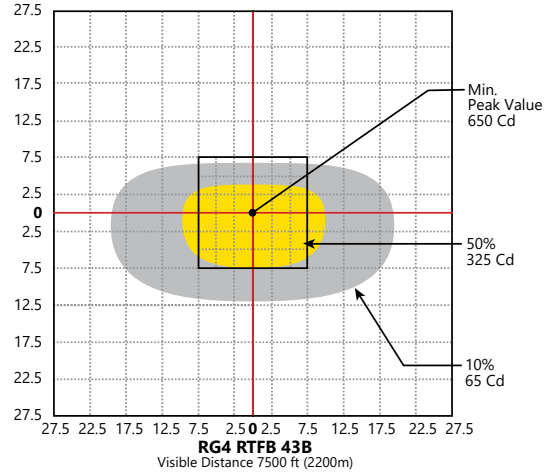
Notes \_\_\_\_\_

## Mechanical Outline

Dimensions in inches (mm)



## Photometric Characteristics



## Design Compliance

Parameter	Compliance
Environmental Limits	AREMA Part 11.5.1 – Class B
Electronic Noise	FCC Title 47 Sub.B Sec. 15 Class A
Transient Immunity	AREMA Part 11.3.3

## Operating Specifications

Parameter	Rating
Operating Temperature Range	-40 to +70 °C (-40 to +158 °F)
Operating Voltage Range	8V to 20V DC 8V to 16V AC (50-60Hz)
Voltage Turn-Off (VTO)	4V
Power Surge	42 Vrms for 80ms.
Maximum Current Draw	1.2A

## Product Information

Model Number	Dominant Wavelength (nm)	Nominal Power (W)	Peak Intensity (cd)	Beam Angles (50% of peak intensity)	Field Angles (10% of peak intensity)
● RG4-RTFB-43B	630	13	650	18°H x -11°V	38°H x -16°V

All values are design or typical values when measured under laboratory conditions at T=25°C.

Distributed by: