

TR6 LED Transit Symbol Signal Modules

12 inch (300 mm)



Project Name _____

Date _____ Type _____

Notes _____



OUTSTANDING RELIABILITY

- Self-contained design provides protection against moisture and dust
- Robust LED system design enables high luminous intensity over long product life

- Uniform illumination
- Photocell-activated dimming for night time viewing
- Bars may be installed horizontally or vertically, reducing products required

MEETS RIGOROUS TESTING STANDARDS

- All lamps undergo comprehensive testing in the manufacturing plant

New or retrofit use
Night time dimming

TR6 LED Transit Symbol Signal Modules

12 inch (300 mm)

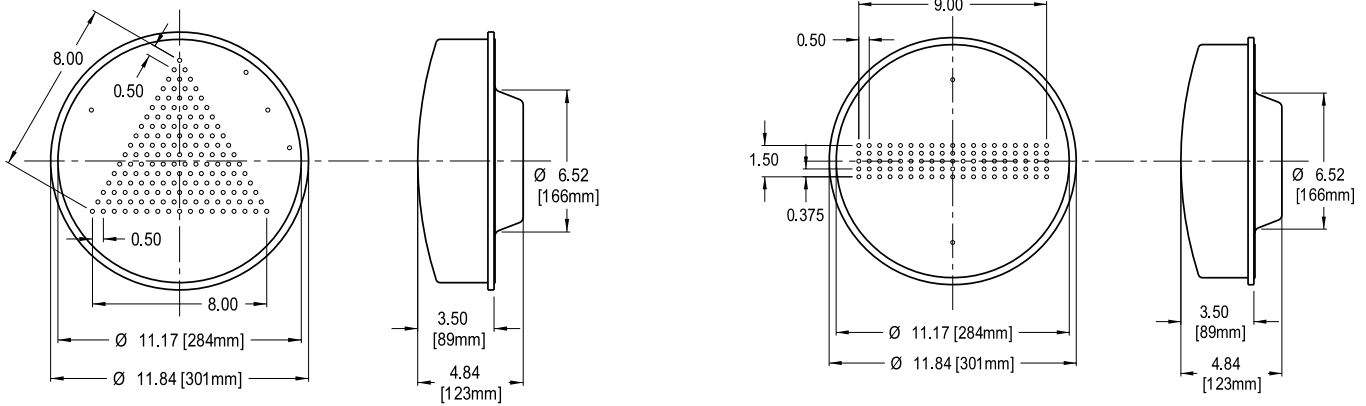
Project Name _____

Date _____ Type _____

Notes _____

Mechanical Outline

Dimensions in inches (mm)



Operating Specifications

Parameter	Rating
Operating Temperature Range	-40 to 70°C (-40 to 158°F)
Operating Voltage	85 to 135 V AC
Voltage Turn-Off (VTO)	45 V AC
Dimming Level LED current	50%
Total Harmonic Distortion (THD)	< 20%t

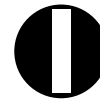


Figure A

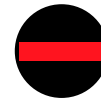


Figure B



Figure C

Product Information

Model Number	Figure	Description	Nominal Current (mA)	Nominal Power (W)	Minimum on-Axis Intensity ¹ (cd)
Mid-Range and Outdoor Applications					
TR6-WC5H-01A-51	A	120V White bar with dimming	44	5.2	400
TR6-RC5H-01A-51	B	120V Red bar with dimming	52	6.3	225
TR6-WCTS-01A-51	C	120V White triangle with dimming	76	9	550

Options:

¹ Measured out of factory at 25°C and stabilized at 100% duty cycle for 1 hour.

Distributed by: