

LED Colorlights Wayside

8 inch (200 mm) - 120V AC
-70 Series



OUTSTANDING RELIABILITY

- Self-contained design provides protection against moisture and dust
- Backed by a 48 month limited warranty
- Over 210,000 wayside signals sold worldwide

- Robust LED system design enables high luminous intensity over long product life
- Efficient optical system delivers uniform color across both wide- and narrow-beam signals
- Sun Phantom reducing features have been incorporated in our design¹
- Easy to install and align
- Constant light output over operating voltage range

MEETS RIGOROUS CERTIFICATION & TESTING STANDARDS

- Meets key AREMA recommended practices
- All lamps undergo comprehensive testing in the manufacturing plant

RM4 - Wayside

LED Colorlights Wayside

8 inch (200 mm) - 120V AC
70 Series

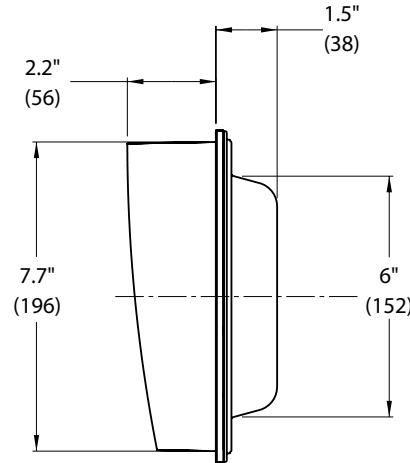
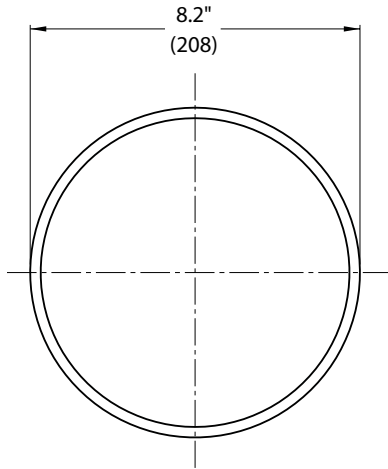
Project Name _____

Date _____ Type _____

Notes _____

Mechanical Outline

Dimensions in inches (mm)



Design Compliance

Characteristic	Compliance
Impact Resistance of Front Shell	IR3
Mechanical Vibration & Shock	AREMA 11.5.1.D.4/D.5. Class B
Water/Dust Ingress Protection (in typical Rail Housing)	EN 60529 IP65
Dielectric Strength	EN50121-4
Electrical Surge Protection	EN61000-4-5, Class 3, AREMA 11.3.3

Operating Specifications

Parameter	Rating
Operating Temperature Range	-40 to 70°C (-40 to 158°F)
Nominal Operating Voltage	120V AC
Operating Voltage Range	85 - 135V AC
Voltage Turn-Off	45V AC (50/60 Hz)

Product Information

Model Number	Aspect Color	Nominal Watts
Short and Mid-Range: Visibility to 2000 ft (600 m)		
RM4-GSFB-25A-70	Green	7W
RM4-YCFB-43A-70	Yellow	11W
RM4-RSFB-25A-70	Red	7W

Distributed by:

Notes:

¹ Signal performance when exposed to external light (ex. sun, head lamp) is dependant on each application. Field testing is recommended.