

LED Transit Colorlight Signal Modules

5.5 inch (140 mm) - 12V DC
-96 Series



Project Name _____

Date _____ Type _____

Notes _____

OUTSTANDING RELIABILITY

- Compatible with most controllers with light-out-detection circuits
- Self-contained design provides protection against moisture and dust
- Backed by a 48 month limited warranty
- Over 210,000 wayside signals sold worldwide

TR3 Transit

- Robust LED system design enables high luminous intensity over long product life
- Sun Phantom reducing features have been incorporated in our design¹
- Easy to install and align
- Customizable front lens using Lens Kits²

MEETS RIGOROUS CERTIFICATION & TESTING STANDARDS

- Meets selected AREMA recommended practices, as detailed in the Design Compliance Table
- All lamps undergo comprehensive testing in the manufacturing plant
- Meets key failure rate criteria as per EN 50129*

* Detailed rating table with duration and operating conditions available upon request.

TR3 LED Transit Colorlight Signal Modules

5.5 inch (140 mm) - 12V DC
96 Series

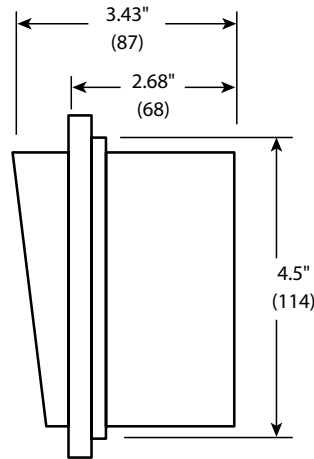
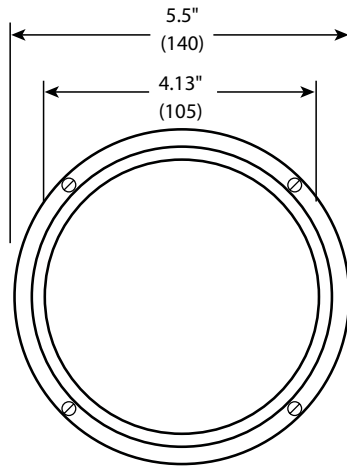
Project Name _____

Date _____ Type _____

Notes _____

Mechanical Outline

Dimensions in inches (mm)



Design Compliance

Characteristic	Compliance
Impact Resistance of Front Shell	IR3
Mechanical Vibration & Shock	AREMA 11.5.1.D.4/D.5. Class B
Water/Dust Ingress Protection (in typical Rail Housing)	EN 60529 IP65
Dielectric Strength	AREMA 11.5.1.D.7, Class B
Electrical Surge Protection	EN61000-4-5, Class 3, AREMA 11.3.3
Electromagnetic Compatibility (EMC)	FCC Part 15, Subpart B EN55011

Operating Specifications

Parameter	Rating
Operating Temperature Range	-40 to 70°C (-40 to 158°F)
Nominal Operating Voltage	10 VDC
Operating Voltage Range	8 - 16 VDC
Voltage Turn-Off	3.5 VDC
Turn-On/Turn-Off Time	< 75ms

Product Information

Model Number	Aspect Color	Nominal Watts	Number of LEDs
Mid-Range and Outdoor Applications ¹			
● TR3-GCFB501B-96	Green	14.3	90
○ TR3-WCFB501B-96	White	15.2	90
● TR3-YCFB501B-96	Yellow	14.4	88
● TR3-RCFB501B-96	Red	14.8	88

Distributed by:

Notes:

¹ Signal performance when exposed to external light (ex. sun, head lamp) is dependant on each application field testing is recommended.

² Sold separately. Refer to datasheet RAIL144.