

RTS-K Series Poles

ROUND TAPERED STEEL

DATE:	LOCATION:
TYPE:	PROJECT:
CATALOG #:	

APPLICATIONS

- Lighting installations for side and top mounting of luminaires with effective projected area (EPA) not exceeding maximum allowable loading of the specified pole in its installed geographic location

CONSTRUCTION

- SHAFT: One-piece tapered steel with round cross section, Minimum yield of 55,000 psi; Steel base plate with axial bolt circle slots welded flush to pole shaft having minimum yield of 36,000 psi (ASTM A36) Pole shafts taper at .14"/ft.

GROUP 1

- ANCHOR BOLTS: Supplied with (4) galvanized anchor bolts with minimum yield of 55,000 psi (ASTM F1554). Galvanized hardware with two washers and two nuts per bolt for leveling
- BOLT COVERS: Individual anchor bolt nut covers provided as standard
- BASE COVER: Optional two-piece square base cover available
- POLE CAP: Pole shaft supplied with removable cover when applicable; Tenon and post-top configurations also available
- HANDHOLE: 4" X 6.5" handhole opening with cover and grounding provision. The handhole is located 18" from the base of the pole.

GROUP 2

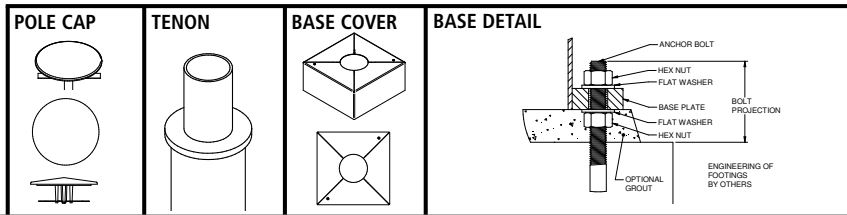
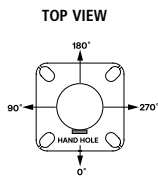
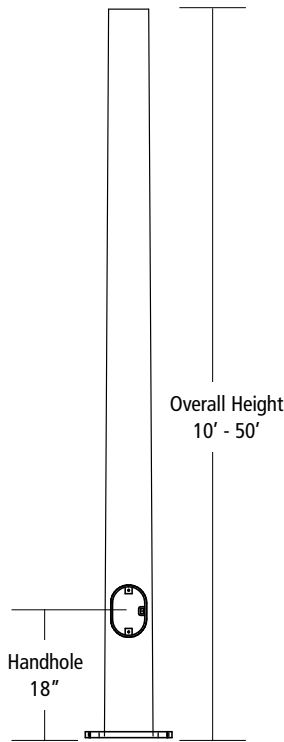
- ANCHOR BOLTS: Supplied with (3) galvanized anchor bolts with minimum yield of 55,000 psi (ASTM F1554). Galvanized hardware with two washers and two nuts per bolt for leveling. Top nut is acorn nut.
- POLE CAP: 3" pole top standard; Supplied with removable cover when applicable; Tenon configurations also available
- HANDHOLE: 3" X 5" handhole opening with cover and grounding provision. The handhole is located 18" from the base of the pole.

GROUP 3

- ANCHOR BOLTS: Supplied with (4) galvanized anchor bolts with minimum yield of 55,000 psi (ASTM F1554). Galvanized hardware with two washers and two nuts per bolt for leveling
- BASE COVER: Two-piece square base cover supplied as standard.
- POLE CAP: Pole shaft supplied with removable cover when applicable; Tenon and post-top configurations also available
- HANDHOLE: 4" X 6.5" handhole opening with cover and grounding provision. The handhole is located 18" from the base of the pole.

FINISH

- Durable thermoset polyester powder coat paint finish with nominal 3.0 mil thickness
- Powder paint prime applied over "white metal" steel substrate cleaned via mechanical shot blast method
- Decorative finish coat available in multiple standard colors; Custom colors available, RAL number preferred



ORDERING INFORMATION

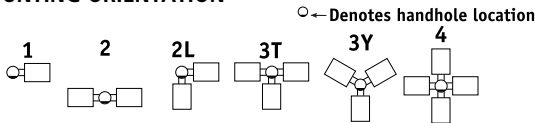
Reference page 2 for available configurations

ORDERING EXAMPLE:

RTS - K - 20 - 65 - A - 2 - K2 - DBS - VM2

SERIES	HEIGHT	SHAFT	THICKNESS	MOUNTING	DRILL PATTERN	FINISH	OPTIONS
RTS-K Round Tapered Steel Pole	Reference page 2 Ordering matrix	Bottom O.D. Reference page 2 Ordering matrix	Reference page 2 Ordering matrix	1 Single arm mount 2 Two fixtures at 180° 2L Two fixtures at 90° 3T Three fixtures at 90° 3Y Three fixtures at 120° 4 Four fixtures at 90° TA Tenon (2.375" OD) TB Tenon (2.875" OD) TC Tenon (3.5" OD) OT Open Top (includes pole cap)	K1 2 bolt 5 3/16" spacing K2 2 bolt 3 1/2" spacing K3 2 bolt 3" spacing UDP Universal Drill Pattern	BLS Black Gloss Smooth BLT Black Matte Textured DBS Dark Bronze Gloss Smooth DBT Dark Bronze Gloss Textured GTT Graphite Matte Textured LGS Light Gray Gloss Smooth LGT Light Gray Gloss Textured PSS Platinum Silver Gloss Smooth VGT Verde Green Matte Textured WHS White Gloss Smooth WHT White Matte Textured	GFI ¹ 20 Amp GFCI Receptacle and Cover EHH ¹ Extra Handhole CO5 ¹ .5" Coupling CO7 ¹ .75" Coupling C20 ¹ 2" Coupling VM2 2nd mode vibration damper LAB Less Anchor Bolts MPB ³ Mid-pole Luminaire Bracket

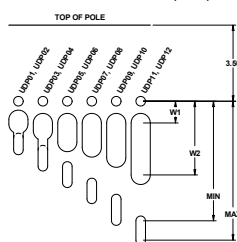
MOUNTING ORIENTATION



ACCESSORIES Order Separately

Catalog Number	Description
VM2SXX	2nd mode vibration damper

UNIVERSAL DRILL PATTERN (UDP)



MOUNTING HARDWARE	Universal Mounting Patterns					
	UDP01	UDP03	UDP05	UDP07	UDP09	UDP11
3/8" OR LESS	UDP02	UDP04	UDP06	UDP08	UDP10	UDP12
"MIN" ATTACHMENT DIMENSION	1.69	2.25	3.00	3.76	4.50	5.50
"MAX" ATTACHMENT DIMENSION	2.24	2.99	3.75	4.49	5.49	6.00
W1 (Wireway min)	0.85	1.00	1.00	1.00	1.00	1.00
W2 (Wireway max)	1.05	1.36	1.88	2.13	2.60	3.00

Color Option

CC² Custom Color

Notes:

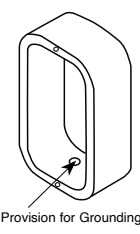
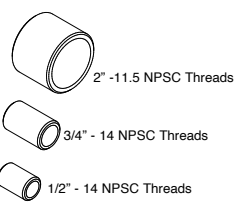
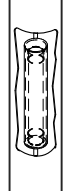

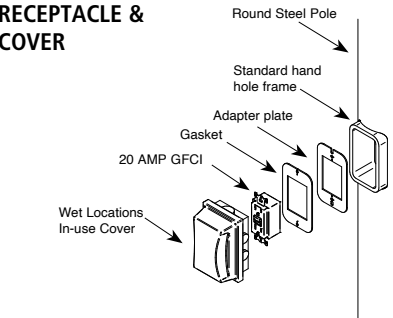
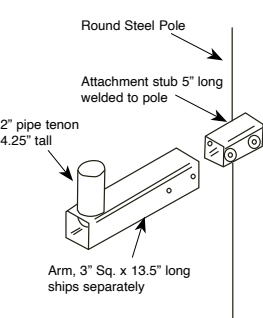
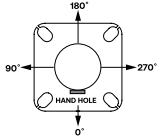
- Specify option location using logic found on page 2 (Option Orientation)
- Consult factory for custom color, marine and corrosive finish options
- Not available on the following poles: 20ft 6" .188, 25ft 7" .188, 30ft, 8" .188, 35ft 9.5" .125

DATE: _____ LOCATION: _____
 TYPE: _____ PROJECT: _____
 CATALOG #: _____

ORDERING INFORMATION Cont.

Catalog Number	Height		Nominal Shaft Dimensions	Wall Thickness	Bolt Circle (suggested)	Bolt Circle (range)	Base Plate Square	Anchor bolt size	Bolt Projection	Pole weight
	Feet	Meters								
Group 1										
RTS-K-20-65-A	20	6.1	6.5" x 3.7"	.119"	10"	9.5" - 13.0"	12.5" - Square	1" x 36" x 4"	4.25"	187
RTS-K-25-70-A	25	7.6	7.0" x 3.5"	.119"	11"	10" - 13.0"	12.5" - Square	1" x 36" x 4"	4.25"	226
RTS-K-30-80-A	30	9.1	8.0" x 3.8"	.119"	12"	11" - 13.5"	12.5" - Square	1" x 36" x 4"	4.25"	290
RTS-K-35-85-A	35	10.7	8.5" x 3.6"	.119"	13"	11.5" - 13.5"	12.5" - Square	1" x 36" x 4"	4.25"	340
RTS-K-39-90-A	39	11.9	9.0" x 3.5"	.119"	13"	12.5" - 13.5"	12.5" - Square	1" x 36" x 4"	4.25"	382
Group 2										
RTS-K-10-50-A	10	3.0	4.4" x 3.0"	.119"	8"	8"	8.5" - Triangular	(3) 3/4" x 16" x 4"	3.5"	60
RTS-K-12-50-A	12	3.7	4.7" x 3.0"	.119"	8"	8"	8.5" - Triangular	(3) 3/4" x 16" x 4"	3.5"	70
RTS-K-14-50-A	14	4.3	5.0" x 3.0"	.119"	8"	8"	8.5" - Triangular	(3) 3/4" x 16" x 4"	3.5"	80
RTS-K-16-50-A	16	4.9	5.2" x 3.0"	.119"	8"	8"	8.5" - Triangular	(3) 3/4" x 16" x 4"	3.5"	95
RTS-K-18-50-A	18	5.5	5.5" x 3.0"	.119"	8"	8"	8.5" - Triangular	(3) 3/4" x 16" x 4"	3.5"	110
RTS-K-20-60-A	20	6.1	5.8" x 3.0"	.119"	8"	8"	8.5" - Triangular	(3) 3/4" x 16" x 4"	3.5"	125
Group 3										
RTS-K-25-70-B	25	7.6	7.0" x 3.5"	.179"	10.0"	9.5 - 10.5"	10.88" - Square	1" x 36" x 4"	4.25"	280
RTS-K-30-80-B	30	9.1	8.0" x 3.8"	.179"	11.0"	10.5 - 11.5"	11.5" - Square	1.25" x 42" x 6"	5.0"	380
RTS-K-35-95-A	35	10.7	9.5" x 4.6"	.119"	13.0"	12.5 - 13.5"	13.0" - Square	1" x 36" x 4"	4.25"	370
RTS-K-40-90-A	40	12.2	9.0" x 3.6"	.119"	12.5"	12 - 13.0"	12.38" - Square	1" x 36" x 4"	4.25"	355
RTS-K-40-90-B	40	12.2	9.0" x 3.6"	.179"	12.5"	12 - 13.0"	12.38" - Square	1.25" x 42" x 6"	5.0"	515
RTS-K-45-10-A	45	13.7	10.0" x 3.7"	.119"	13.5"	13 - 14.0"	14.0" - Square	1" x 36" x 4"	4.25"	450
RTS-K-50-10-A	50	15.2	10.0" x 3.0"	.119"	13.5"	13 - 14.0"	14.0" - Square	1" x 36" x 4"	4.25"	475
RTS-K-50-10-B	50	15.2	10.0" x 3.0"	.179"	13.5"	13 - 14.0"	14.0" - Square	1.25" x 42" x 6"	5.0"	680

NOTE: Factory supplied template must be used when setting anchor bolts. Current Lighting will deny any claim for incorrect anchorage placement resulting from failure to use factory supplied template and anchor bolts.

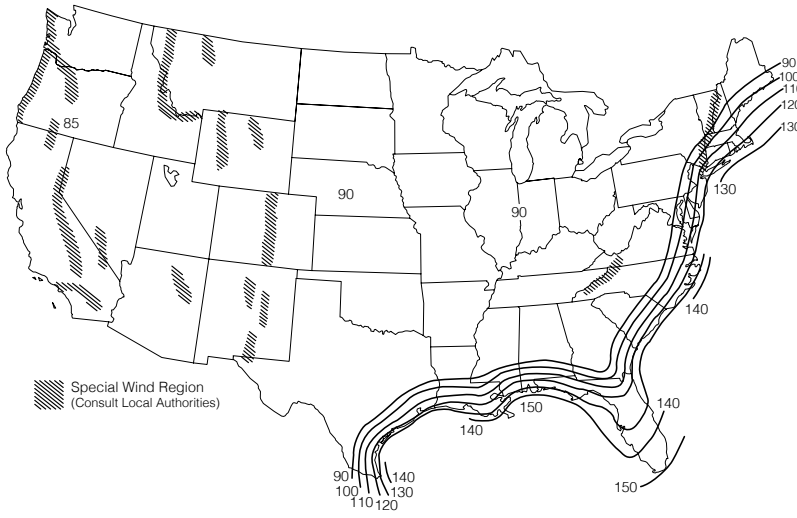
<p>EHH - EXTRA HANDHOLE</p>  <p>Provision for Grounding</p>	<p>C05 - C07 - C20 - COUPLING</p>  <p>2" - 11.5 NPSC Threads 3/4" - 14 NPSC Threads 1/2" - 14 NPSC Threads</p>	<p>VM2 - VIBRATION DAMPER 2ND MODE</p>  <p>Factory installed, internal damper designed to alter pole resonance to reduce movement and material fatigue caused by 2nd mode vibration.</p>	<p>VM2SXX - VIBRATION DAMPER 2ND MODE</p>  <p>VM2S08 – 8' VM2S12 – 12' VM2S16 – 16' VM2S20 – 20' VM2S24 – 24'</p> <p>Field installed, internal damper designed to alter pole resonance to reduce movement and material fatigue caused by 2nd mode vibration.</p>
<p>GFI – 20 AMP GFCI RECEPTACLE & COVER</p>  <p>Round Steel Pole Standard hand hole frame Adapter plate Gasket 20 AMP GFCI Wet Locations In-use Cover</p> <p>* Group 2 & 3 poles Receptacle ordered separately</p>	<p>MPB - MID POLE BRACKET</p>  <p>Round Steel Pole Attachment stub 5" long welded to pole 2" pipe tenon 4.25" tall Arm, 3" Sq. x 13.5" long ships separately</p> <p>* Group 1 only</p>	<p>OPTION ORIENTATION</p> <p>Follow the logic below when ordering location specific options. For each option, include its orientation (in degrees) and its height (in feet). Example: Option C07 should be ordered as: RTS-K-20-65-A-TA-DBS-C05-0-15 (.5" coupling on the handhole/arm side of pole, 15 feet up from the pole base) 1' spacing required between option. Consult factory for other configurations.</p> 	

Due to our continued efforts to improve our products, product specifications are subject to change without notice.
 Unwrap poles immediately upon receipt to avoid condensation build up and possible corrosion
 Note: There will be a weld witness mark on the side of the pole with the Factory installed VM2

RTS-K Series Poles

ROUND TAPERED STEEL

ASCE7-05 WIND MAP



*PRINTED WITH PERMISSION FROM ASCE

HAWAII – 105 mph
PUERTO RICO – 145 mph

ASCE 7-05 wind map EPA Load Rating - 3 second gust wind speeds									
Catalog Number	Height	85	90	100	110	120	130	140	150
RTS-K-20-65-A	20	23.1	21.5	17.4	14.4	10.0	8.3	7.0	6.0
RTS-K-25-70-A	25	21.2	17.9	14.5	11.8	7.5	6.0	5.1	4.3
RTS-K-30-80-A	30	19.5	15.2	12.1	9.8	7.1	5.8	4.8	3.9
RTS-K-35-85-A	35	14.9	12.7	10.0	8.7	5.3	4.2	3.3	2.6
RTS-K-39-90-A	39	13.4	10.6	8.3	6.5	4.5	3.3	2.4	1.8
RTS-K-10-50-A	10	22.0	21.5	17.4	14.4	12	10.1	8.7	7.5
RTS-K-12-50-A	12	18.8	17.9	14.5	11.8	9.8	8.2	7	6
RTS-K-14-50-A	14	17.7	15.2	12.1	9.8	8.1	6.7	5.6	4.8
RTS-K-16-50-A	16	16.5	12.7	10	8	6.5	5.4	4.5	3.8
RTS-K-18-50-A	18	14.0	10.6	8.3	6.5	5.2	4.2	3.5	2.9
RTS-K-20-60-A	20	12.1	8.9	6.8	5.3	4.1	3.3	2.6	2.2
RTS-K-25-70-B	25	25.0	22.6	18.1	14.7	12.2	10.3	8.8	7.6
RTS-K-30-80-B	30	25.0	25.0	25.0	21.6	18.1	15.4	13.2	11.4
RTS-K-35-95-A	35	20.0	17.7	14.1	11.5	9.4	7.8	6.5	5.4
RTS-K-40-90-A	40	15.5	13.6	10.6	8.3	6.7	5.4	4.4	3.6
RTS-K-40-90-B	40	25.0	25.0	20.2	16.5	13.7	11.4	9.7	8.2
RTS-K-45-10-A	45	12.4	10.8	8.1	6.1	4.8	3.7	2.9	2.1
RTS-K-50-10-A	50	9.5	8.2	5.8	4.2	2.9	2.0	1.2	0.7
RTS-K-50-10-B	50	19.2	17.4	13.6	10.7	8.5	6.9	5.5	4.4

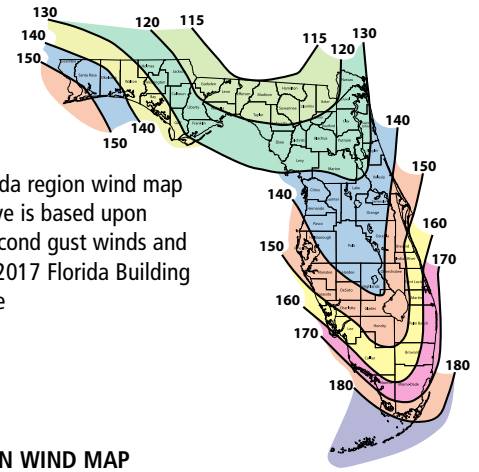
NOTES

- Allowable EPA, to determine max pole loading weight, multiply allowable EPA by 30 lbs.
- The tables for allowable pole EPA are based on the ASCE 7-05 Wind Map or the Florida Region Wind Map for the 2017 Florida Building Code. The Wind Maps are intended only as a general guide and cannot be used in conjunction with other maps. Always consult local authorities to determine maximum wind velocities, gusting and unique wind conditions for each specific application
- Allowable pole EPA for jobsite wind conditions must be equal to or greater than the total EPA for fixtures, arms, and accessories to be assembled to the pole. Responsibility lies with the specifier for correct pole selection. Installation of poles without luminaires or attachment of any unauthorized accessories to poles is discouraged and shall void the manufacturer's warranty
- Wind speeds and listed EPAs are for ground mounted installations. Poles mounted on structures (such as bridges and buildings) must consider vibration and coefficient of height factors beyond this general guide; Consult local and federal standards
- Wind Induced Vibration brought on by steady, unidirectional winds and other unpredictable aerodynamic forces are not included in wind velocity ratings. Consult Current Lighting's Pole Vibration Application Guide for environmental risk factors and design considerations.
- Extreme Wind Events like, Hurricanes, Typhoons, Cyclones, or Tornadoes may expose poles to flying debris, wind shear or other detrimental effects not included in wind velocity ratings

Due to our continued efforts to improve our products, product specifications are subject to change without notice.

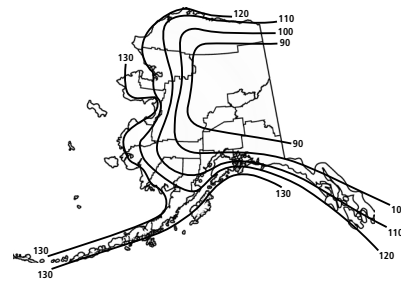
DATE: _____ LOCATION: _____
 TYPE: _____ PROJECT: _____
 CATALOG #: _____

FLORIDA REGION WIND



- Florida region wind map above is based upon 3-second gust winds and the 2017 Florida Building Code

ALASKA REGION WIND MAP



Florida Building Code 2017 EPA Load Rating - 3 second gust wind speeds								
Catalog Number	115	120	130	140	150	160	170	180
RTS-K-20-65-A	25.0	25.0	25.0	21.5	18.3	15.7	13.6	11.9
RTS-K-25-70-A	25.0	23.0	19.2	16.1	13.6	11.5	9.8	8.4
RTS-K-30-80-A	21.1	19.0	15.5	12.8	10.6	8.8	7.3	6.0
RTS-K-35-85-A	17.1	15.3	12.3	9.9	8.0	6.4	5.1	1.0
RTS-K-39-90-A	15.4	13.7	10.8	8.6	6.7	5.2	4.0	3.0
RTS-K-10-50-A	21.8	20.2	17.2	14.7	12.7	11.2	9.7	8.7
RTS-K-12-50-A	17.4	16.7	14.2	12.2	10.5	9.0	8.0	7.0
RTS-K-14-50-A	15.0	14.2	12.0	10.0	8.7	7.5	6.5	5.7
RTS-K-16-50-A	12.2	11.7	9.7	8.2	7.0	6.0	5.2	4.5
RTS-K-18-50-A	11.1	9.7	8.0	6.7	5.5	4.7	4.0	3.5
RTS-K-20-60-A	9.2	8.2	6.7	5.5	4.5	3.7	3.0	2.5
RTS-K-25-70-B	25.0	21.1	17.8	15.2	13.1	11.4	10	8.9
RTS-K-30-80-B	25.0	30.2	25.7	22.2	19.4	17	15	13.4
RTS-K-35-95-A	20.0	16.5	13.9	11.8	10.1	8.7	7.6	6.5
RTS-K-40-90-A	15.5	12.6	10.4	8.6	7.3	6.1	5.2	4.5
RTS-K-40-90-B	25.0	23.5	19.9	17	14.6	12.7	11.1	9.8
RTS-K-45-10-A	12.4	9.9	8	6.5	5.3	4.3	3.5	2.9
RTS-K-50-10-A	9.5	7.4	5.7	4.4	3.3	2.4	1.8	1.2
RTS-K-50-10-B	19.2	16.1	13.3	11.1	9.3	7.8	6.6	5.6