

RATIO Bollard

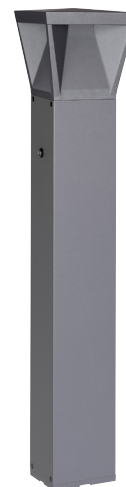
SQUARE BOLLARD

FEATURES

- Rectilinear Bollard luminaire to match the Ratio Area, Flood and Wall product lines
- Includes a variety of distributions in 90° increments for lighting applications such as parks, schools, retail, and corporate campuses
- Available in 24", 30", 36" and 42" heights
- Options including button photo control and fusing
- Full cutoff luminaire produces no light above 90 degrees which makes all configurations U0.



RATIO



SPECIFICATIONS

CONSTRUCTION

- Luminaire consists of die-cast aluminum top housing and baseplate with extruded base that can be customized to 24", 30", 36" and 42" heights
- Top housing attaches to extruded base with four countersunk screws on two opposing sides of the fixture, leaving two sides with no visible hardware
- Corrosion resistant, die-cast aluminum housing with 1000 hour powder coat paint finish
- Coastal environment finish option provides a clear top coat over the standard paint finish rated for 5,000 hour salt spray per ASTM B117
- External hardware is corrosion resistant

OPTICS

- Available in 3000K, 4000K and 5000K CCT at 70 CRI
- TIR Optical lenses are clear injection molded PMMA acrylic
- One-piece silicone gasket ensures a weatherproof seal around each optical bezel
- All configurations are full cut-off with zero up-light from the source

INSTALLATION

- Fixture includes a rotatable base plate ideal for placement and aiming of asymmetric light patterns
- Uses four anchor bolts in a 4" diameter circle for mounting. Anchor bolt template can be found on page 4

INSTALLATION (CONTINUED)

- If option is chosen to include anchor bolts, fixture will ship with cast aluminum 360 alloy anchor base; four 1/2" x 10" anchor bolts.

ELECTRICAL

- Universal 120-277 VAC or 347-480 VAC input voltage, 50/60 Hz
- Ambient operating temperature -40°C to 40°C
- Drivers have greater than 90% power factor and less than 20% THD
- LED drivers have output power over-voltage, over-current protection and short circuit protection with auto recovery
- Field replaceable surge protection device provides 20kA protection meeting ANSI/IEEE C62.41.2 Category C High and Surge Location Category C3; Automatically takes fixture off-line for protection when device is compromised
- Complies with FCC 47 CFR Part 18.

CONTROLS

- Photo control available for 120-277V applications for on/off control. Photo control is mounted on the side of the extruded housing.
- Please consult brand or sales representative when combining control and electrical options as some combinations may not operate as anticipated depending on your application

CONTROLS (CONTINUED)

- 0- 10 V Dimming Drivers are standard and dimming leads are extended out of the luminaire unless control options require connection to the dimming leads. Must specify if wiring leads are to be greater than the 6" standard

CERTIFICATIONS

- Listed to UL1598 and CSA C22.2#250.0-24 for wet locations and 40°C ambient temperatures
- Fixture head is IP65 rated
- Meets IDA recommendations using 3K CCT configuration at 0 degrees of tilt
- This product qualifies as a "designated country construction material" per FAR 52.225-11 Buy American-Construction Materials under Trade Agreements effective 04/23/2020. See Buy American Solutions
- **WARRANTY**
- 5 year limited warranty
- See [HLI Standard Warranty](#) for additional information

KEY DATA	
Lumen Range	687-2778
Wattage Range	9-34
Efficacy Range (LPW)	73-82
Weights lbs. (kg)	16-22 (7.3-10)

RATIO Bollard

SQUARE BOLLARD

ORDERING GUIDE

Example: RBD-56L-30-360-42-4K7-UNV-DBT

CATALOG #

Model	# LEDs Wattage	CCT/CRI	Distribution	Voltage	Heights
RBD Ratio Bollard	14L-7 750 lumens	3K7 3000K, 70 CRI	90 90 Degree Beam	UNV Universal 120-277	24 24" High
	28L-15 1500 lumens	4K7 4000K, 70 CRI	180A 180 Degree Adjacent Beam	120 120V	30 30" High
	42L-23 2250 lumens	5K7 5000K, 70 CRI	180 180 Degree Opposing Beam	208 208V	36 36" High
	56L-30 3000 lumens		270 270 Degree Beam	240 240V	42 42" High
			360 360 Degree Beam	277 277V	
				347 347V	
				480 480V	

Color	
BLT	Black Matte Textured
DBT	Dark Bronze Matte Textured
GTT	Graphite Matte Textured
LGS	Light Grey Gloss Smooth
PSS	Platinum Silver Smooth
WHT	White Matte Textured
VGT	Verde Green Textured
LEG	Legacy Colors
Color Option	
CC	Custom Color

Options	
F	Fusing (specify voltage)
PC ¹	Photocontrol
CGF	Costal Grade Finish

¹ PC option only compatible with 120-277V
 Items with a grey background can be done as a custom order. Contact brand representative for more information

ACCESSORIES AND REPLACEMENT PARTS (ORDERED SEPARATELY)

	Catalog Number	Description
<input type="checkbox"/>	RBD-MP	Ratio Bollard Mounting Plate

PERFORMANCE DATA

Series	Nominal Watts	System Watts	5K (5000K nominal, 70 CRI)		4K (4000K nominal, 70 CRI)		3K (3000K nominal, 70 CRI)	
			Lumens	LPW ¹	Lumens	LPW ¹	Lumens	LPW ¹
RBD	14L-7	9.4	723	76.9	719	76.5	687	73.1
	28L-15	18.7	1500	80.2	1493	79.8	1425	76.2
	42L-23	27.2	2206	81.1	2195	80.7	2096	77.0
	56L-30	33.9	2778	81.9	2764	81.5	2639	77.8

¹ Lumen values are from photometric tests performed in accordance with IESNA LM-79-08. Data is considered to be representative of the configurations shown. Actual performance may differ as a result of end-user environment and application.

RATIO Bollard

SQUARE BOLLARD

ELECTRICAL DATA

# LEDS	Nominal Wattage	Input Voltage	Oper. Current (Amps)	System Power (W)
RBD	14L-7	120	0.08	9.4
		208	0.05	
		240	0.04	
		277	0.03	
		347	0.03	
		480	0.02	
	28L-15	120	0.15	18.7
		208	0.09	
		240	0.08	
		277	0.07	
		347	0.05	
		480	0.04	
	42L-23	120	0.23	27.2
		208	0.13	
		240	0.11	
		277	0.10	
		347	0.08	
		480	0.06	
	56L-30	120	0.28	33.9
		208	0.16	
		240	0.14	
		277	0.12	
		347	0.10	
		480	0.07	

PROJECTED LUMEN MAINTENANCE

Ambient Temperature	Operating Hours					Calculated L70 (Hours)
	0	25,000	TM-21-11 60,000 ¹	50,000	100,000	
25°C / 77°F	1.00	0.95	0.93	0.88	0.81	165,000
40°C / 104°F	0.99	0.94	0.92	0.87	0.80	160,000

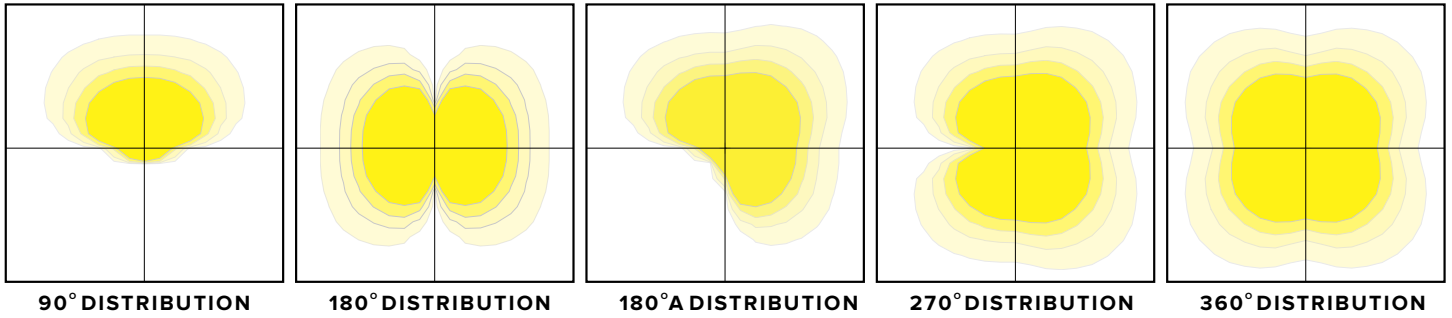
LUMINAIRE AMBIENT TEMPERATURE FACTOR (LATF)

Ambient Temperature		Lumen Multiplier
0°C	32°F	1.03
10°C	50°F	1.01
20°C	68°F	1.00
25°C	77°F	1.00
30°C	86°F	0.99
40°C	104°F	0.98

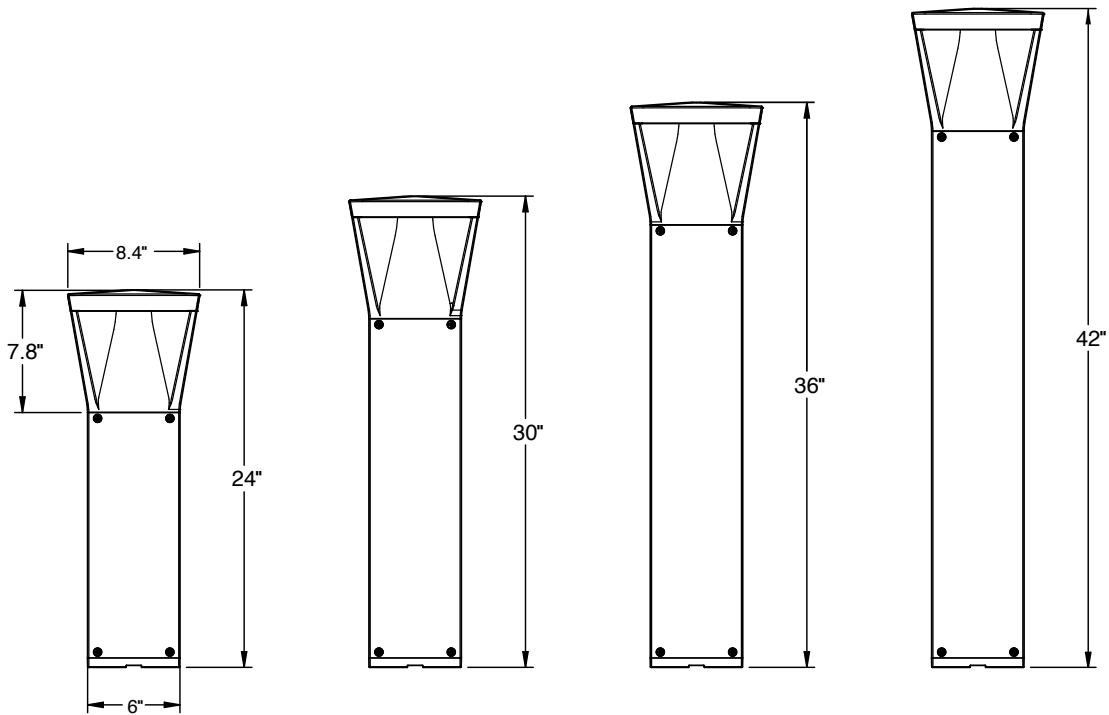
Use these factors to determine relative lumen output for average ambient temperatures from 0–50°C (32-122°F)

RATIO Bollard

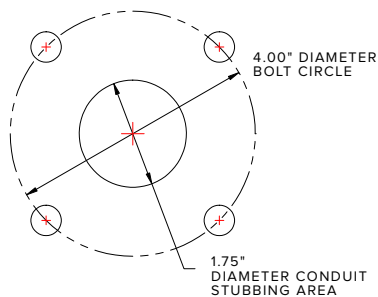
SQUARE BOLLARD
PHOTOMETRY



DIMENSIONS



ANCHOR BOLT



Field rotatable base plate

USE OF TRADEMARKS AND TRADE NAMES

All product and company names, logos and product identifies are trademarks™ or registered trademarks® of Current or their respective owners. Use of them does not necessarily imply any affiliation with or endorsement by such respective owners.