

SSS-T5 - 5" SQUARE POLE TENON ADAPTER

MOUNTING ACCESSORIES

DESCRIPTION

The robust 5" square pole tenon adapter mounts inside a square 5" OD pole pole to provide a tenon adapter that is 2 3/8" OD.

NOTE: There could be interference with a GFI or couplings that are near the top of the pole as this extends 9" into the pole to insure greater stability with heavier fixtures.

WARNING: To avoid damaging supply wiring, drill all necessary holes in poles, arms, or mounting brackets BEFORE pulling supply wires.



| DIMENSIONS & WEIGHT | |
|---------------------|-----------|
| Tenon Height | 4" |
| Tenon Pipe OD | 2.38" |
| Tenon Pipe ID | 2.0" |
| Adapter Height | 9.0" |
| Adapter Width | 4.5" |
| Weight | 14.5 lbs. |

MOUNTING INSTRUCTIONS

- At top of pole, insert tenon reducer until top of pole locates at bottom of middle plate.
- In case of missing holes, drill appropriately sized holes at distances seen in figure above to ensure access to all screws.
- Insert (2) 3/8-16 bolts through the pole and adapter, and secure with (2) split washers and (2) nuts.

STANDARD FINISH COLORS & MATERIAL

- Steel
- Powder Coat Paint Finish

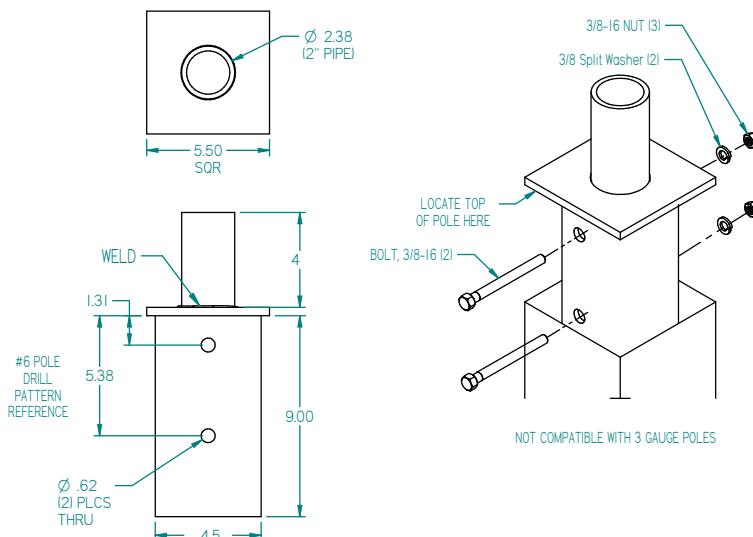
ORDERING GUIDE

CATALOG # _____

Example: SSS-T5-LGS

ORDERING INFORMATION

| Series | Color |
|--|--------------------------------|
| SSS-T5 SSS-T5 - 5" Square pole tenon adapter | BLT Black Matte Textured |
| | BLS Black Gloss Smooth |
| | DBT Dark Bronze Matte Textured |
| | DBS Dark Bronze Gloss Smooth |
| | GTT Graphite Matte Textured |
| | LGS Light Grey Gloss Smooth |
| | LGT Light Grey Matte Textured |
| | PSS Platinum Silver Smooth |
| | WHT White Matte Textured |
| | WHS White Gloss Smooth |
| | VGT Verde Green Textured |
| | CC Custom Color |



| SHIPPING PACKAGE CONTENTS | |
|---------------------------|----------------------|
| Qty | Description |
| 1 | SSS-T5 Tenon Adapter |
| 2 | 3/8-16 Bolt |
| 2 | 3/8-16 Nut |
| 2 | 3/8 Split Washer |
| Weight | 14.5 lbs. |