

| | |
|------------|-----------|
| DATE: | LOCATION: |
| TYPE: | PROJECT: |
| CATALOG #: | |

TA-5 - 5" Square Pole Tenon Adapter

MOUNTING ACCESSORY

DESCRIPTION

This 5" square pole tenon adapter mounts inside a square 5" OD pole to provide a tenon adapter that is 2 3/8" OD.

Ideal for use with Bullhorn or Spoke Brackets with multiple fixtures.

WARNING: To avoid damaging supply wiring, drill all necessary holes in poles, arms, or mounting brackets BEFORE pulling supply wires.



| DIMENSIONS & WEIGHT | |
|---------------------|--------|
| Tenon Height | 4.0" |
| Tenon OD | 2.38" |
| Tenon Pipe ID | 2.0" |
| Adapter Height | 4.5" |
| Adapter Width | 3.5" |
| Weight | 9 lbs. |

MOUNTING INSTRUCTIONS

- Place adapter into top of square pole, locating top of pole at bottom of middle plate.
- In case of missing holes, drill appropriately sized hole into pole at 3.12" from the top.
- Insert bolt through pole and adapter, and secure with (1) nut and (2) flat washers.

STANDARD FINISH COLORS & MATERIAL

- Steel
- Powder Coat Paint Finish

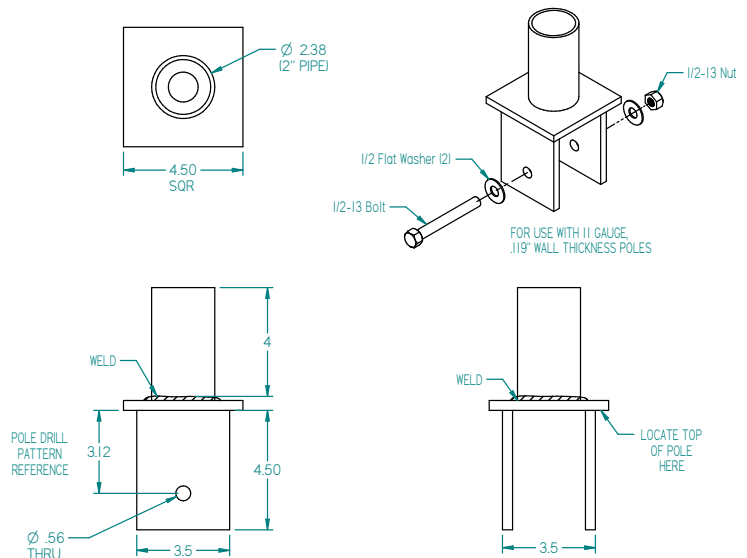
ORDERING GUIDE

CATALOG #

Example: TA-5-LGS

ORDERING INFORMATION

| Series | Color |
|--|--|
| TA-5 TA-5 - 5" Square Pole Tenon Adapter | BLT Black Matte Textured BLS Black Gloss Smooth DBT Dark Bronze Matte Textured DBS Dark Bronze Gloss Smooth GTT Graphite Matte Textured LGS Light Grey Gloss Smooth LGT Light Grey Matte Textured PSS Platinum Silver Smooth WHT White Matte Textured WHS White Gloss Smooth VGT Verde Green Textured CC Custom Color |



| SHIPPING PACKAGE CONTENTS | |
|---------------------------|-----------------|
| Qty | Description |
| 1 | TA-5 Adapter |
| 1 | 1/2-13 Bolt |
| 2 | 1/2 Flat Washer |
| 1 | 1/2-13 Nut |
| Weight | 7 lbs. |