

TA-6 - 6" Square Pole Tenon Adapter

MOUNTING ACCESSORY

DESCRIPTION

This 6" square pole tenon adapter mounts inside a square 6" OD pole to provide a tenon adapter that is 2 3/8" OD.

Ideal for use with Bullhorn or Spoke Brackets with multiple fixtures.

WARNING: To avoid damaging supply wiring, drill all necessary holes in poles, arms, or mounting brackets BEFORE pulling supply wires.



DIMENSIONS & WEIGHT	
Tenon Height	4.0"
Tenon OD	2.38"
Tenon Pipe ID	2.0"
Adapter Height	4.0"
Adapter Width	5.38"
Weight	9 lbs.

MOUNTING INSTRUCTIONS

- Place adapter into top of square pole, locating top of pole at bottom of middle plate.
- In case of missing holes, drill appropriately sized hole into pole at 3.12" from the top.
- Insert bolt through pole and adapter, and secure with (1) nut.

STANDARD FINISH COLORS & MATERIAL

- Steel
- Powder Coat Paint Finish

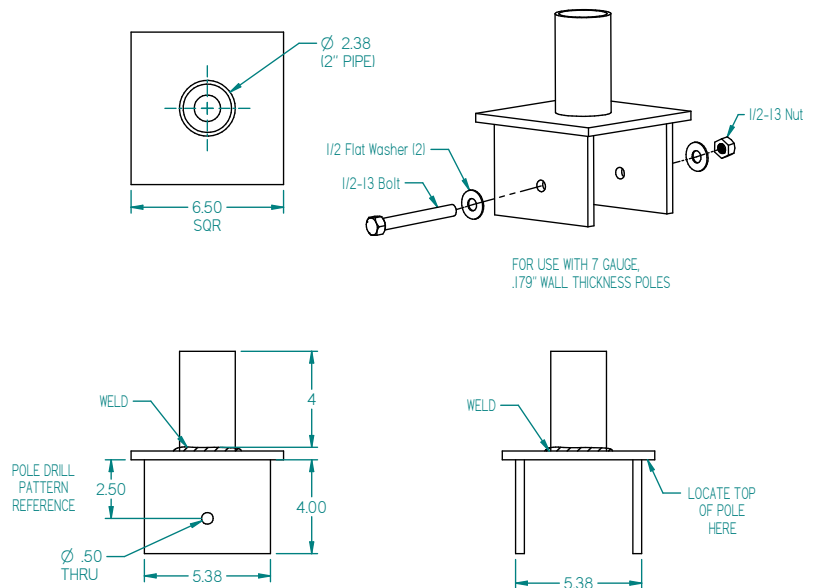
ORDERING GUIDE

CATALOG # _____

Example: TA-6-LGS

ORDERING INFORMATION

Series	Color
TA-6 TA-6 - 6" Square Pole Tenon Adapter	BLT Black Matte Textured
	BLS Black Gloss Smooth
	DBT Dark Bronze Matte Textured
	DBS Dark Bronze Gloss Smooth
	GTT Graphite Matte Textured
	LGS Light Grey Gloss Smooth
	LGT Light Grey Matte Textured
	PSS Platinum Silver Smooth
	WHT White Matte Textured
	WHS White Gloss Smooth
	VGT Verde Green Textured
	CC Custom Color



SHIPPING PACKAGE CONTENTS	
Qty	Description
1	TA-6 Adapter
1	1/2-13 Bolt
2	1/2 Flat Washer (2)
1	1/2-13 Nut
Weight	10 lbs.