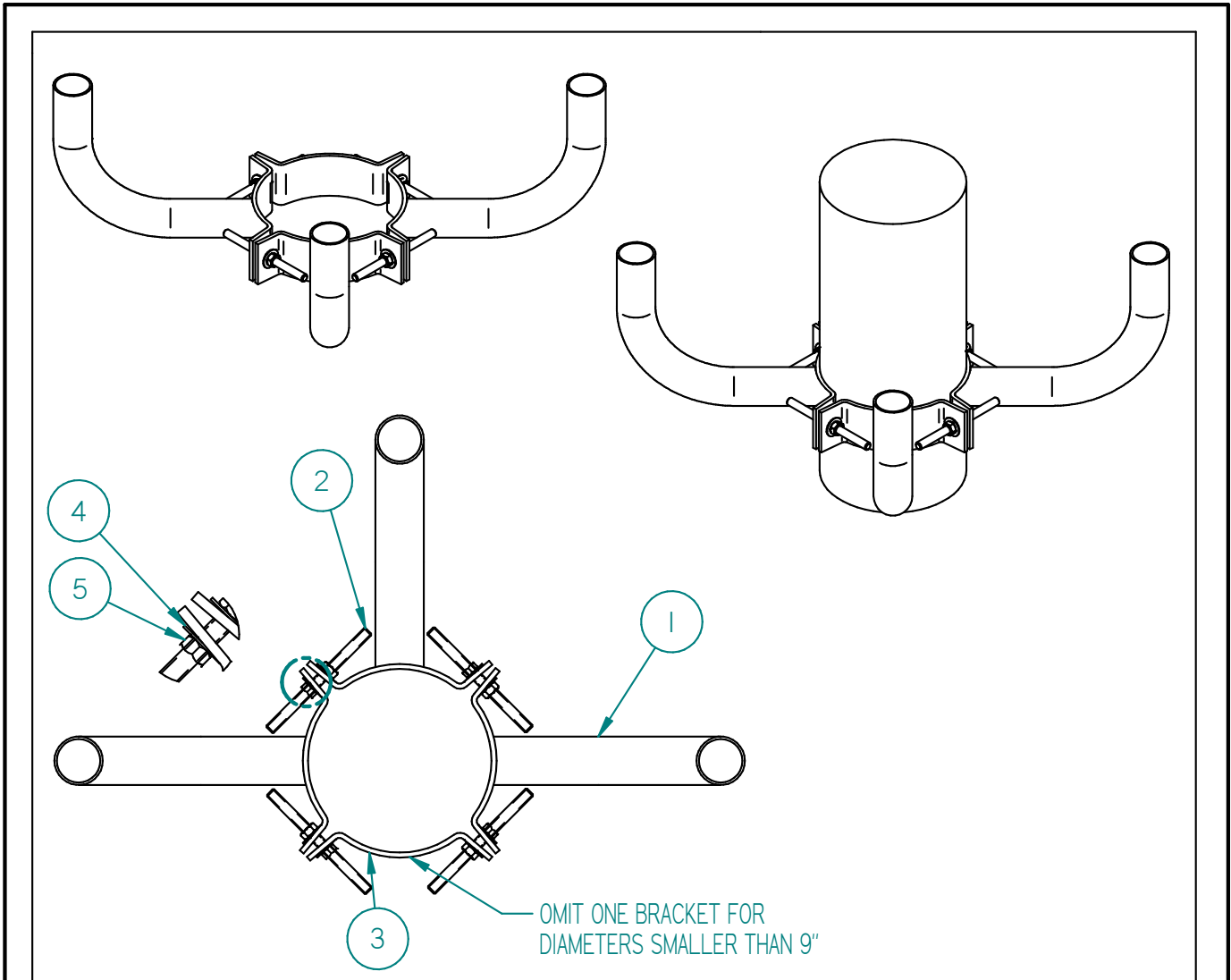


TCB3 - 6"-12" Dia Wooden Pole Clamp - 3 Light

WALL AND POLE MOUNT ACCESSORY



Mounting Notes:

1. Insert 1/2-13 threaded rod (2) into one side of TCB assembly bracket (1).
2. Install washer (4) and nut (5) to one end of rod. Do not tighten.
3. Slide TCB bracket (3) onto threaded rod.
4. Install washer (4) and nut (5) to other end of rod. Do not tighten.
5. Repeat steps 1 - 4 until all brackets are mounted together.
6. Secure brackets to diameter of pole by tightening all nuts (5).

Shipping Package Contents:

- TCB Bracket assembly (3)
- TCB Bracket (1)
- 1/2-13 Threaded Rod-16 Nut (4)
- 1/2 Flat Washer (8)
- 1/2-13 Nut (8)

Material: Steel

Finish: Powder Paint

Weight: 28 lbs