



# Tetra<sup>®</sup> EdgeLine

CANOPY LIGHTING SYSTEMS



Slim wall wash fixture for  
canopies and awnings

Tetra EdgeLine delivers brilliant performance in wall wash and canopy lighting applications. The EdgeLine's slim form factor is suitable for mounting in tight application spaces, and its symmetric optical design evenly distributes bright light exactly where you need it.

## Tetra<sup>®</sup> EdgeLine Features

- Maximizes coverage through wide, uniform symmetric light distribution, with no scalloping

- Extruded plastic design protects against moisture, dust and damage

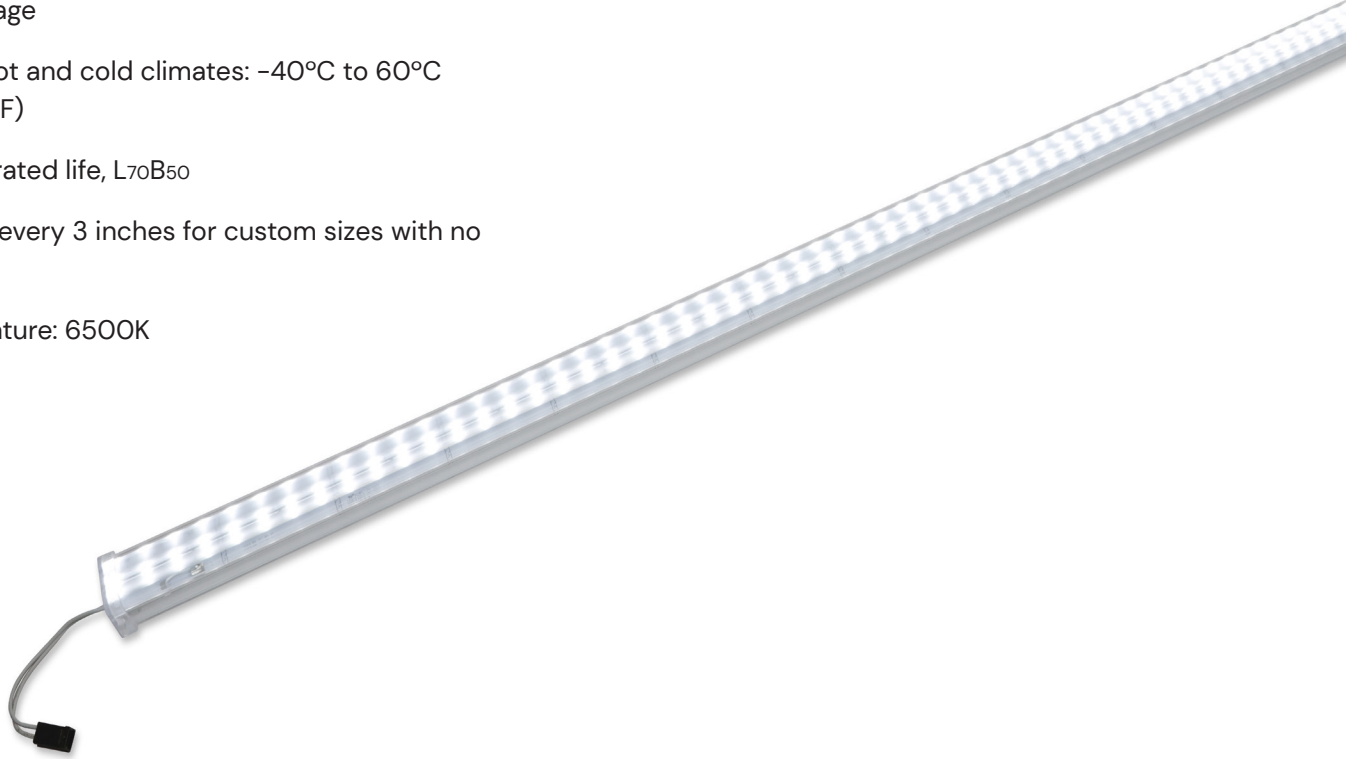
- Functions in hot and cold climates: -40°C to 60°C (-40°F to 140°F)

- 50,000-hour rated life, L70B50

- Field cuttable every 3 inches for custom sizes with no waste

- Color Temperature: 6500K

- Size: 4 ft



## Tetra<sup>®</sup> EdgeLine Specifications

- Wide, symmetric beam angle

- Efficacy: 156 lm/W

- 24 Volt DC, Class 2 (UL), Class III (IEC)

- IP67 and Damp rated

- 10-year limited warranty

## Total Reliability

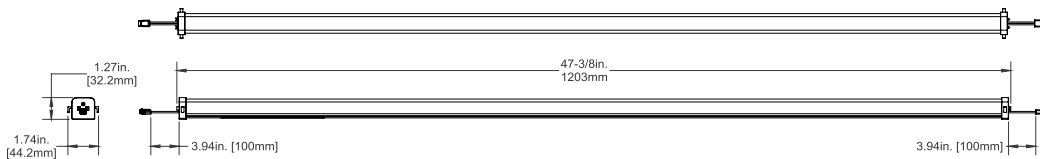
To ensure every Tetra® EdgeLine installation will operate brilliantly for years, we perform the most extensive, stringent testing in the industry. We test the LED, water and dust ingress protection, sub-system and complete system at our in-house and independent laboratories around the world. Validation of our designs, components, products and processes include high temperature, high humidity and accelerated life testing.



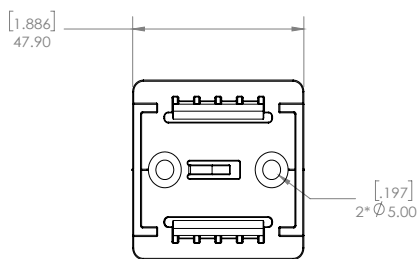
## Mechanical Outline

Dimensions in (inches). Metric equivalent mm

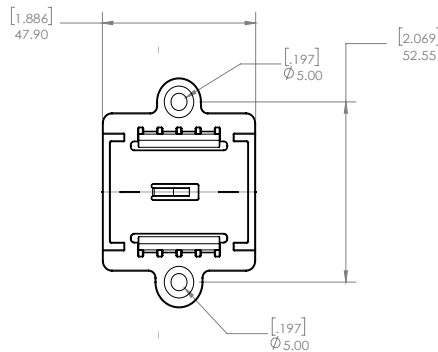
48inch Tetra Edgeline Cuttable Light Bar



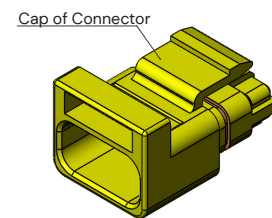
### Slim Straight Bracket



### Straight Bracket



### Sealed Connector Cover



## Accessories

| SKU      | Model Number           | Description  | Package Quantity |
|----------|------------------------|--|------------------|
| 88818    | Wet Clip-Std           | Standard Mounting Clip                               | 12 clips per bag |
| 10734    | Wet Clip-Slim          | Slim Mounting Clip                                   | 12 clips per bag |
| 93155837 | Sealed Cap and gasket  | Sealed cap and gasket for field cuts                 | 20               |
| 93155838 | Sealed Connector Cover | Cover to terminate the connector                     | 50               |
| 93155625 | GE-JC24IN-66M-66F      | Jumper cable to add cable length between bars        | 10               |
| 93155627 | GE-LC24IN-66F          | 24" (609 mm) leader cable with IP66 female connector | 10               |
| 93155628 | GE-LC24IN-66M          | 24" (609 mm) leader cable with IP66 male connector   | 10               |

# Components

| SKU      | Model      | Details                           | Color | Quantity        |
|----------|------------|-----------------------------------|-------|-----------------|
| 93155556 | GELW4865-1 | 48" Cuttable Wall Wash Linear Bar | White | 10 bars per box |

## Technical Specifications

| Model      | Wavelength/<br>CCT | Typical<br>Brightness*<br>Lumens/bar | Typical<br>Wattage*<br>(W) | 25W<br>Power<br>Supply             | 80W<br>Power<br>Supply               | 100W GLX<br>Power<br>Supply      | 200W GLX<br>Power<br>Supply   | 300W<br>GLX Power<br>Supply  | Maximum<br>light bars<br>in series<br>connection<br>(s) |
|------------|--------------------|--------------------------------------|----------------------------|------------------------------------|--------------------------------------|----------------------------------|---|--|---|
| GELW4865-1 | 6500K              | 2600                                 | 16.7                       | 1 bar/ 3 ft.<br>11.4 in (1.2<br>m) | 4 bars/ 15<br>ft. 9.5 in.<br>(4.81m) | 5 bars/ 19 ft.<br>9 in. (6.02 m) | 5 bars/ 19 ft. 9<br>in. (6.02 m) per<br>bank<br><br>10 bars/ 39<br>ft. 6 in. (12 m)<br>per PS | 5 bars/ 19 ft. 9<br>in. (6.02 m) per<br>bank<br><br>15 bars/ 59 ft.<br>3 in. (18.06 m)<br>per PS | 3 bars/<br>11 ft. 10-1/8 in.<br>(3.61 m)                |

\*Typical performance at 25C +/- 10%

## Additional Specifications

| Specification                           | Specification  |   |   |   |   |   |                  |               |   |   |   |                  |             |             |              |              |                   |             |             |              |              |                   |             |             |              |              |                   |             |             |              |              |                   |             |             |              |              |
|---|--|---|---|---|---|---|------------------|---------------|---|---|---|------------------|-------------|-------------|--------------|--------------|-------------------|-------------|-------------|--------------|--------------|-------------------|-------------|-------------|--------------|--------------|-------------------|-------------|-------------|--------------|--------------|-------------------|-------------|-------------|--------------|--------------|
| <b>Voltage</b>                          | 24VDC  |   |   |   |   |   |                  |               |   |   |   |                  |             |             |              |              |                   |             |             |              |              |                   |             |             |              |              |                   |             |             |              |              |                   |             |             |              |              |
| <b>Cutting Resolution</b>               | Can be cut every 3 inches (76 mm)  |   |   |   |   |   |                  |               |   |   |   |                  |             |             |              |              |                   |             |             |              |              |                   |             |             |              |              |                   |             |             |              |              |                   |             |             |              |              |
| <b>Dimmable</b>                         | Yes (with dimmable power supply)   |   |   |   |   |   |                  |               |   |   |   |                  |             |             |              |              |                   |             |             |              |              |                   |             |             |              |              |                   |             |             |              |              |                   |             |             |              |              |
| <b>Power Supply</b>                     | GESPS24-25U-NA Input: 100-305VAC; Output: 24VDC<br>GEPS24D-80U Input: 90-305VAC; Output: 24VDC<br>GEPS24-100U-GLX Input: 108-305VAC; Output: 24VDC<br>GEPS24-100U-GLX2 Input: 108-305VAC; Output: 24VDC<br>GEPS24-100U-TT Input: 108-305VAC; Output: 24VDC<br>GEPS24-200U-GLX2 Input: 90-305VAC; Output: 24VDC<br>GEPS24-300U-GLX2 Input: 108-305VAC; Output: 24VDC<br>USVI-100024FE Input: 108-305VAC; Output: 24VDC<br>USVI-100024FBA Input: 108-305VAC; Output: 24VDC   |   |   |   |   |   |                  |               |   |   |   |                  |             |             |              |              |                   |             |             |              |              |                   |             |             |              |              |                   |             |             |              |              |                   |             |             |              |              |
| <b>Maximum Remote Mounting Distance</b> | <table border="1"> <thead> <tr> <th></th> <th>18 AWG/0.82 mm<sup>2</sup> Supply Wire</th> <th>16 AWG/1.31 mm<sup>2</sup> Supply Wire</th> <th>14 AWG/2.08 mm<sup>2</sup> Supply Wire</th> <th>12 AWG/3.31 mm<sup>2</sup> Supply Wire</th> </tr> </thead> <tbody> <tr> <td>25W Power Supply</td> <td>66 ft./20.1 m</td> <td>-</td> <td>-</td> <td>-</td> </tr> <tr> <td>80W Power Supply</td> <td>5 ft./1.5 m</td> <td>8 ft./2.4 m</td> <td>14 ft./4.3 m</td> <td>22 ft./6.7 m</td> </tr> <tr> <td>100W Power Supply</td> <td>5 ft./1.5 m</td> <td>8 ft./2.4 m</td> <td>14 ft./4.3 m</td> <td>22 ft./6.7 m</td> </tr> <tr> <td>108W Power Supply</td> <td>5 ft./1.5 m</td> <td>8 ft./2.4 m</td> <td>14 ft./4.3 m</td> <td>22 ft./6.7 m</td> </tr> <tr> <td>200W Power Supply</td> <td>5 ft./1.5 m</td> <td>8 ft./2.4 m</td> <td>14 ft./4.3 m</td> <td>22 ft./6.7 m</td> </tr> <tr> <td>300W Power Supply</td> <td>5 ft./1.5 m</td> <td>8 ft./2.4 m</td> <td>14 ft./4.3 m</td> <td>22 ft./6.7 m</td> </tr> </tbody> </table> |   | 18 AWG/0.82 mm <sup>2</sup> Supply Wire | 16 AWG/1.31 mm <sup>2</sup> Supply Wire | 14 AWG/2.08 mm <sup>2</sup> Supply Wire | 12 AWG/3.31 mm <sup>2</sup> Supply Wire | 25W Power Supply | 66 ft./20.1 m | - | - | - | 80W Power Supply | 5 ft./1.5 m | 8 ft./2.4 m | 14 ft./4.3 m | 22 ft./6.7 m | 100W Power Supply | 5 ft./1.5 m | 8 ft./2.4 m | 14 ft./4.3 m | 22 ft./6.7 m | 108W Power Supply | 5 ft./1.5 m | 8 ft./2.4 m | 14 ft./4.3 m | 22 ft./6.7 m | 200W Power Supply | 5 ft./1.5 m | 8 ft./2.4 m | 14 ft./4.3 m | 22 ft./6.7 m | 300W Power Supply | 5 ft./1.5 m | 8 ft./2.4 m | 14 ft./4.3 m | 22 ft./6.7 m |
|   |  | 18 AWG/0.82 mm <sup>2</sup> Supply Wire | 16 AWG/1.31 mm <sup>2</sup> Supply Wire | 14 AWG/2.08 mm <sup>2</sup> Supply Wire | 12 AWG/3.31 mm <sup>2</sup> Supply Wire |   |                  |               |   |   |   |                  |             |             |              |              |                   |             |             |              |              |                   |             |             |              |              |                   |             |             |              |              |                   |             |             |              |              |
|   | 25W Power Supply   | 66 ft./20.1 m                           | -                                       | -                                       | -                                       |   |                  |               |   |   |   |                  |             |             |              |              |                   |             |             |              |              |                   |             |             |              |              |                   |             |             |              |              |                   |             |             |              |              |
|   | 80W Power Supply   | 5 ft./1.5 m                             | 8 ft./2.4 m                             | 14 ft./4.3 m                            | 22 ft./6.7 m                            |   |                  |               |   |   |   |                  |             |             |              |              |                   |             |             |              |              |                   |             |             |              |              |                   |             |             |              |              |                   |             |             |              |              |
|   | 100W Power Supply  | 5 ft./1.5 m                             | 8 ft./2.4 m                             | 14 ft./4.3 m                            | 22 ft./6.7 m                            |   |                  |               |   |   |   |                  |             |             |              |              |                   |             |             |              |              |                   |             |             |              |              |                   |             |             |              |              |                   |             |             |              |              |
|   | 108W Power Supply  | 5 ft./1.5 m                             | 8 ft./2.4 m                             | 14 ft./4.3 m                            | 22 ft./6.7 m                            |   |                  |               |   |   |   |                  |             |             |              |              |                   |             |             |              |              |                   |             |             |              |              |                   |             |             |              |              |                   |             |             |              |              |
| 200W Power Supply                       | 5 ft./1.5 m  | 8 ft./2.4 m                             | 14 ft./4.3 m                            | 22 ft./6.7 m                            |   |   |                  |               |   |   |   |                  |             |             |              |              |                   |             |             |              |              |                   |             |             |              |              |                   |             |             |              |              |                   |             |             |              |              |
| 300W Power Supply                       | 5 ft./1.5 m  | 8 ft./2.4 m                             | 14 ft./4.3 m                            | 22 ft./6.7 m                            |   |   |                  |               |   |   |   |                  |             |             |              |              |                   |             |             |              |              |                   |             |             |              |              |                   |             |             |              |              |                   |             |             |              |              |
| <b>Operating Environment</b>            | -40 °C to +60 °C (-40 °F to +140 °F)   |   |   |   |   |   |                  |               |   |   |   |                  |             |             |              |              |                   |             |             |              |              |                   |             |             |              |              |                   |             |             |              |              |                   |             |             |              |              |
| <b>Dimensions (L x W x H)</b>           | 47.37" x 1.74" x 1.27" (1203 mm x 44.2 mm x 32.2 mm)   |   |   |   |   |   |                  |               |   |   |   |                  |             |             |              |              |                   |             |             |              |              |                   |             |             |              |              |                   |             |             |              |              |                   |             |             |              |              |
| <b>Warranty</b>                         | Current offers a limited system warranty of up to ten (10) years   |   |   |   |   |   |                  |               |   |   |   |                  |             |             |              |              |                   |             |             |              |              |                   |             |             |              |              |                   |             |             |              |              |                   |             |             |              |              |
| <b>System Certifications</b>            | UL Recognized (C-US) #E219167 for dry or damp locations, UL Classified (C-US) #E229508, CE, UKCA, Class III, ROHS, IP67 rated.   |   |   |   |   |   |                  |               |   |   |   |                  |             |             |              |              |                   |             |             |              |              |                   |             |             |              |              |                   |             |             |              |              |                   |             |             |              |              |