

Tetra[®] Contour Bold

BORDER LIGHTING LIGHTING SYSTEMS



Bolder Designs, Brighter Impact

Introducing Tetra[®] Contour Bold, our latest innovation in border lighting. With a thicker body, this LED solution delivers a bolder look, perfect for linear designs and applications that require a robust aesthetic. Contour Bold is ideal for straight-line applications where a strong, consistent visual impact is needed. Available in 2ft (0.6m) and 8ft (2.4m), Contour Bold is field cuttable every 1.5in (38mm) and 3in (76mm) respectively, offering customizable flexibility to installers.

Tetra[®] Contour Bold

Tetra® Contour Bold

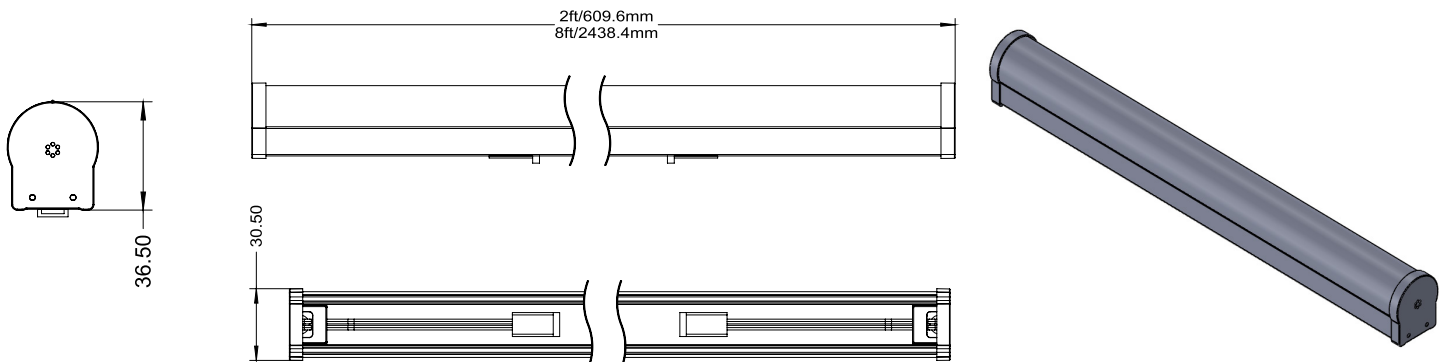
Length	SKU	Order Code	Description	Color	Quantity
2ft	93320531	GEXNLB24RD-1	Tetra® Contour Bold 24in (2ft) Red	Red	6/box
	93320535	GEXNLB24GL-1	Tetra® Contour Bold 24in (2ft) Green	Green	6/box
	93320533	GEXNLB24BL-1	Tetra® Contour Bold 24in (2ft) Blue	Blue	6/box
	93320537	GEXNLB24YG-1	Tetra® Contour Bold 24in (2ft) Amber	Amber	6/box
	93320539	GEXNLB24PO-1	Tetra® Contour Bold 24in (2ft) Orange	Orange	6/box
	93320541	GEXNLB24YA-1	Tetra® Contour Bold 24in (2ft) Yellow	Yellow	6/box
	93320529	GEXNLB2465-1	Tetra® Contour Bold 24in (2ft) White	6500K	6/box
8ft	93320530	GEXNLB96RD-1	Tetra® Contour Bold 96in (8ft) Red	Red	12/box
	93320534	GEXNLB96GL-1	Tetra® Contour Bold 96in (8ft) Green	Green	12/box
	93320532	GEXNLB96BL-1	Tetra® Contour Bold 96in (8ft) Blue	Blue	12/box
	93320536	GEXNLB96YG-1	Tetra® Contour Bold 96in (8ft) Amber	Amber	12/box
	93320538	GEXNLB96PO-1	Tetra® Contour Bold 96in (8ft) Orange	Orange	12/box
	93320540	GEXNLB96YA-1	Tetra® Contour Bold 96in (8ft) Yellow	Yellow	12/box
	93320527	GEXNLB9665-1	Tetra® Contour Bold 96in (8ft) White	6500K	12/box

Technical Specifications

Specification Item	Wavelength Color Temp	Typical Brightness lumens/bar*	Typical Brightness lumens/ft (light engine)*	Rated Power (W/Bar)	Rated Power (W/ft)	Loading (Pcs/100W)	Max Run in Series
GEXNLB24RD-1	625nm	58	29.0	3.7	1.85	22	12
GEXNLB24GL-1	521nm	79	39.5	3.3	1.65	24	12
GEXNLB24BL-1	460nm	20	10.0	3.5	1.75	24	12
GEXNLB24YG-1	600nm	87	43.5	3.5	1.75	24	12
GEXNLB24PO-1	615nm	50	25.0	3.5	1.75	24	12
GEXNLB24YA-1	588nm	195	97.5	3.5	1.75	24	12
GEXNLB2465-1	6500K	265	132.5	3.5	1.75	24	12
GEXNLB96RD-1	625nm	232	29.0	9.6	1.2	8	4
GEXNLB96GL-1	521nm	320	40.0	9.6	1.2	8	4
GEXNLB96BL-1	460nm	80	10.0	9.6	1.2	8	4
GEXNLB96YG-1	600nm	375	46.9	9.6	1.2	8	4
GEXNLB96PO-1	615nm	227	28.4	9.6	1.2	8	4
GEXNLB96YA-1	588nm	827	103.4	9.6	1.2	8	4
GEXNLB9665-1	6500K	1082	135.3	9.6	1.2	8	4

*Typical performance +/-10%, at 25°C.

Mechanical Outline



Accessories

SKU	Order Code	Description	Additional Information
93155838	Sealed Connector Cover	Cover to Terminate the Connector	50/BAG
93321516	GE-YCO6IN-66M-66F-66M	Y-Type Leader Cable, 6in, MFM	Y Type TYCO Connector, 6in long, 10/BAG
93155627	GE-LC24IN-66F	24" Leader Cable, Female Connector	10/BAG
93155628	GE-LC24IN-66M	24" Leader Cable, Male Connector	10/BAG
93155625	GE-JC24IN-66M-66F	24" Jumper Cable	10/BAG
93321515	GEXNLBMCML	Bold Metal Mounting Clip	SUS316 Metal mounting clip, T=0.4/L25*W*H10.5mm, 50/BAG
93321471	GEXNLBCRD	Bold Linear Connector, RED	20/BAG
93321472	GEXNLBCGL	Bold Linear Connector, GREEN	20/BAG
93321473	GEXNLBCBL	Bold Linear Connector, BLUE	20/BAG
93321474	GEXNLBCYG	Bold Linear Connector, AMBER	20/BAG
93321475	GEXNLBCPO	Bold Linear Connector, ORANGE	20/BAG
93321476	GEXNLBCYA	Bold Linear Connector, YELLOW	20/BAG
93321477	GEXNLBCWH	Bold Linear Connector, WHITE	20/BAG
93321478	GEXNLBIRD	Bold Inside Corner Connector, RED	20/BAG
93321479	GEXNLBIGL	Bold Inside Corner Connector, GREEN	20/BAG
93321480	GEXNLBIBL	Bold Inside Corner Connector, BLUE	20/BAG
93321481	GEXNLBIYG	Bold Inside Corner Connector, AMBER	20/BAG
93321482	GEXNLBIPO	Bold Inside Corner Connector, ORANGE	20/BAG
93321483	GEXNLBIYA	Bold Inside Corner Connector, YELLOW	20/BAG
93321484	GEXNLBIWH	Bold Inside Corner Connector, WHITE	20/BAG
93321485	GEXNLBORD	Bold Outer Corner Connector, RED	20/BAG
93321486	GEXNLBOGL	Bold Outer Corner Connector, GREEN	20/BAG
93321487	GEXNLBOBL	Bold Outer Corner Connector, BLUE	20/BAG
93321488	GEXNLBOYG	Bold Outer Corner Connector, AMBER	20/BAG
93321489	GEXNLBOPO	Bold Outer Corner Connector, ORANGE	20/BAG
93321490	GEXNLBOYA	Bold Outer Corner Connector, YELLOW	20/BAG
93321491	GEXNLBOWH	Bold Outer Corner Connector, WHITE	20/BAG
93321364	GEXNLBPRD	Bold Planar Corner Connector, RED	20/BAG
93321502	GEXNLBPGL	Bold Planar Corner Connector, GREEN	20/BAG
93321503	GEXNLBPBL	Bold Planar Corner Connector, BLUE	20/BAG
93321504	GEXNLBPYG	Bold Planar Corner Connector, AMBER	20/BAG
93321505	GEXNLBPPO	Bold Planar Corner Connector, ORANGE	20/BAG
93321506	GEXNLBPYA	Bold Planar Corner Connector, YELLOW	20/BAG
93321507	GEXNLBPWH	Bold Planar Corner Connector, WHITE	20/BAG
93321508	GEXNLBERD	Bold End Cap, RED	20/BAG
93321509	GEXNLBEGL	Bold End Cap, GREEN	20/BAG
93321510	GEXNLBEBL	Bold End Cap, BLUE	20/BAG
93321511	GEXNLBEYG	Bold End Cap, AMBER	20/BAG
93321512	GEXNLBEPO	Bold End Cap, ORANGE	20/BAG
93321513	GEXNLBEYA	Bold End Cap, YELLOW	20/BAG
93321514	GEXNLBEWH	Bold End Cap, WHITE	20/BAG

Dimmable	Yes (with dimmable power supply)				
Cutting Resolution	On Contour Bold, ONLY cut the module on the marked cutting locations. 2ft: Cuttable every 1.5in (38mm) 8ft: Cuttable every 3in (76mm)				
Power Supply	Compatible with all Tetra 24V power supplies.				
Maximum Supply Wire Limits		18 AWG/0.82 MM² Supply Wire	16 AWG/1.31 MM² Supply Wire	14 AWG/2.08 MM² Supply Wire	12 AWG/3.31 MM² Supply Wire
	25W Power Supply	120 ft./36.6 m	-	-	-
	60W, 100W, 200W, 300W Power Supply	20 ft./6.1 m	25 ft./7.6 m	35 ft./10.6 m	40 ft./12.1 m
Operating Environment	-40 °C to +60 °C (-40 °F to +140 °F)				
Dimensions (h x l x w)	1.4" x 23.7" x 1.2" (36.5 mm x 601.3 mm x 30.5 mm)				
Warranty	Limited system warranty of up to five (5) years				