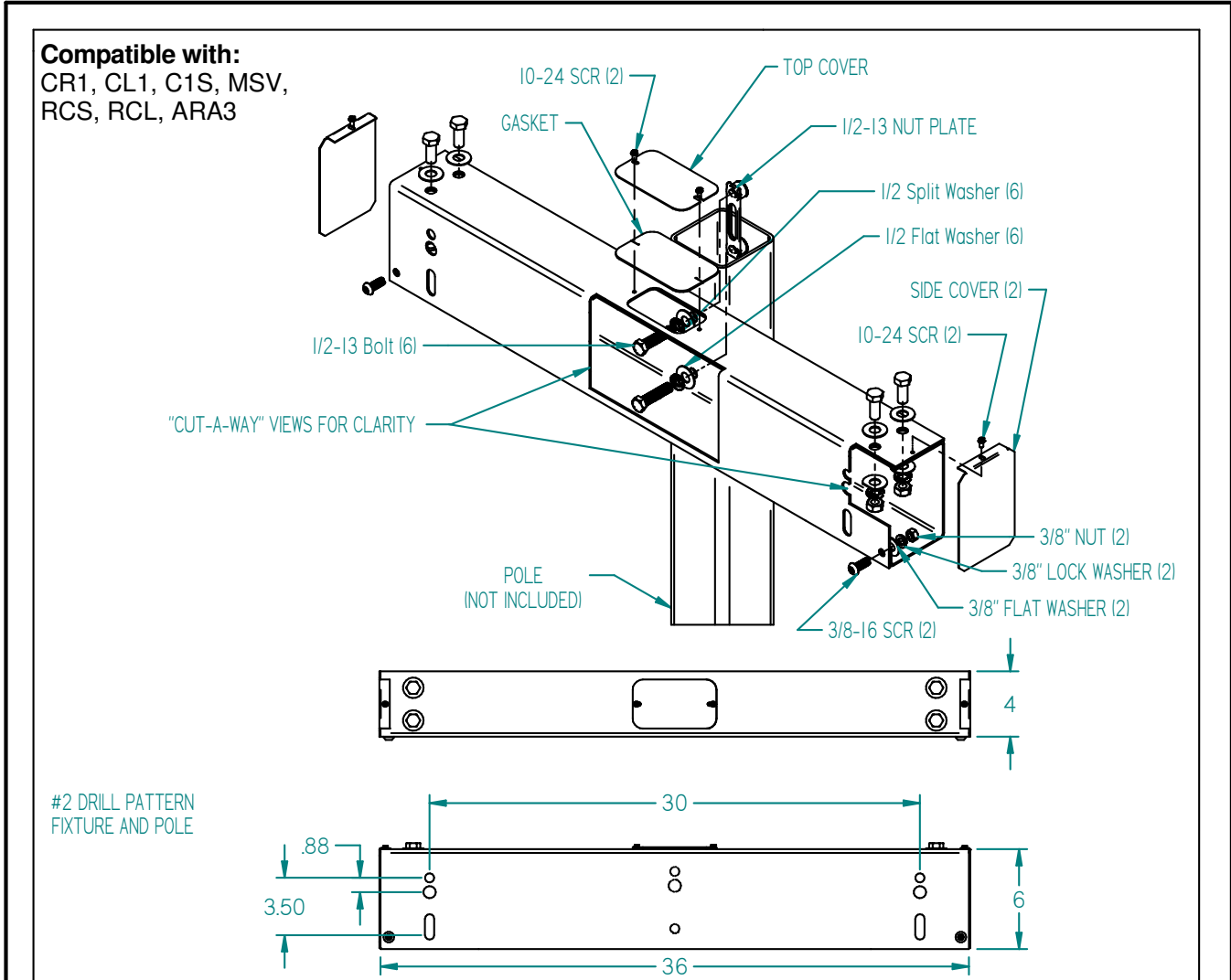


TPLB - Twin Parallel Luminaire Bracket

MOUNTING BRACKETS ACCESSORY



Mounting Notes:

1. Position twin bracket to pole with cover side up.
2. Using supplied hardware: (2) 1/2-13 bolts, (4) split washers, (4) flat washers, and (2) nuts, secure bracket to pole and bring wiring into bracket.
3. Position fixtures to each side of the bracket and secure with hardware supplied with fixture.
4. With wiring complete to fixture, secure (2) end plates to each end of bracket with (2) 10-24 screws.
5. Secure gasket and cover to top opening of bracket with (2) 10-24 screws.

Shipping Package Contents:

- Twin Bracket (1)
- End Plate (2)
- 1/2-13 Bolt (2)
- 1/2 Split Washer (4)
- 1/2 Flat Washer (4)
- Gasket (1)
- Cover (1)
- 1/2-13 Nut (2)
- 10-24 Screw (4)

Material: Steel
Finish: Powder Paint
Weight: 41 lbs
EPA: 1.8 ft²