

LED Signal Modules

8 and 12 inch

Incandescent look (120V)

Project Name _____

Date _____ Type _____

Notes _____



Current's 14th generation of LED signal, leveraging 15 years of experience & over 6,000,000 units sold worldwide

OUTSTANDING PERFORMANCE

- Consumes up to 15% less power than Current's previous signal generation.
- Intelligent controller measures usage and temperature. Will automatically adjust to compensate for light output degradation over time.*
- Over-molded electrical connectors prevent water wicking through wires.

MAXIMUM FLEXIBILITY

- New micro-controlled power supply is packed with advanced functionality that can be unlocked and customized to fit your specific needs.
- Low profile module permits efficient installation into existing traffic housings.
- Power consumption levels allow compatibility with most controllers.
- Offers multiple dimming configurations for ultimate customization.**
- Mask compatible to fit your unique signaling needs.***

MEETS RIGOROUS CERTIFICATION & TESTING STANDARDS

- Compliant to NYSDOT Specifications.



The Greatest Signals Stand the Test of Time.™

* Compensation levels vary depending on color.

** Customer controller and load switch compatibility testing may be required. Please contact your Current representative for details.

***Sold separately. Refer to masks datasheet TRAF208.

GTX[®] LED Signal Modules

8 and 12 inch

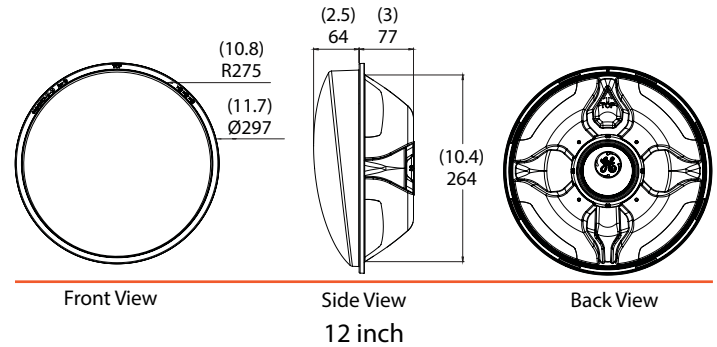
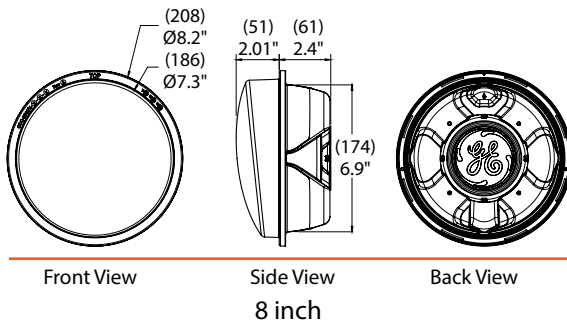
Project Name _____

Date _____ Type _____

Notes _____

Mechanical Outline

Dimensions in inches (mm)



Design Compliance

Test type	Compliance
Luminous Intensity	ITE VTCSH-LED Circular Signal Supplement-June 2005
Chromaticity	ITE VTCSH-LED Circular-June 2005
Moisture Resistance	Blown Wind Rain MIL-STD-810F method 506.4
Mechanical Vibration	MIL-STD-883 Method 2007
Electronic Noise	FCC Title 47 Sub. B Sec 15 ¹
Transient Voltage Protection	Sec. 2.1.6 NEMA TS2-2003, 300V, 2500W Sec. 2.1.6 NEMA TS2-2003, 600V, 10μF Sec. 2.1.8 NEMA TS2-2003, 1kV, 2Ω
Controller Compatibility	ITE VTCSH-LED Circular Signal Supplement-June 2005
Wiring	NFPA 70, National Electric Code
Transient Suppression	Sec. 8.2 IEC 61000-4-5 & Sec. 6.1.2 ANSI/IEEE C62.41.2 - 2002, 3KV, 2Ω Sec. 8.0 IEC 61000-4-12 & Sec. 6.1.1 ANSI/IEEE C62.41.2 - 2002, 6KV, 30Ω

Operating Specifications

Parameter	Rating
Operating Temperature Range*	-40 to +74°C (-40 to +165°F)
Operating Voltage Range	80 to 135 V (60Hz AC)
Power Factor (PF)	> 90%**
Total Harmonic Distortion (THD)	< 20%**
Minimum Voltage Turn-Off (VTO)	35 V
Turn-On/Turn-Off Time	< 50 ms
Lens & Shell Material	UV Stabilized Polycarbonate
Wiring	16 AWG, Color Coded with Strain Relief 40in long
Dimming Option ²	As per Section 5.8 of ITE VTCSH-LED Circular Signal Supplement-June 2005

* Operating Temperature Range per ITE 2005, Section 3.3.2

** Compliant when current pulse generator not operational

Product Information

Model Number	Front Shell	Size (in)	Nominal AC Voltage	Nominal Power ³ (W)	Nominal Wavelength (nm)	Minimum Maintained Intensity ⁴ (Cd)
DR4-RTFB-77A-002	Tinted	8	120V - 60Hz	7.7	626	165
DR4-YCFB-77A-002	Clear	8	120V - 60Hz	10.7	589	410
DR4-GCFB-77A-002	Clear	8	120V - 60Hz	8.0	503	215
DR6-RTFB-77A-002	Tinted	12	120V - 60Hz	8.5	625	365
DR6-YCFB-77A-002	Clear	12	120V - 60Hz	12.5	589	910
DR6-GCFB-77A-002	Clear	12	120V - 60Hz	10.0	502	475

Distributed by:

Standard product equipped with universal connectors (insulated spade-quick disconnect). All lamps available in tinted or clear lens.

¹ Class A

² Customer controller and load switch compatibility testing may be required. Please contact your Current representative for details.

³ Power consumption for DR4-RTFB-77A-002, DR4-GCFB-77A-002, DR6-RTFB-77A-002, DR6-YCFB-77A-002, could slightly increase over time to ensure light degradation compensation.

⁴ Measured at vertical angle of -2.5° and at horizontal angle of 0°.