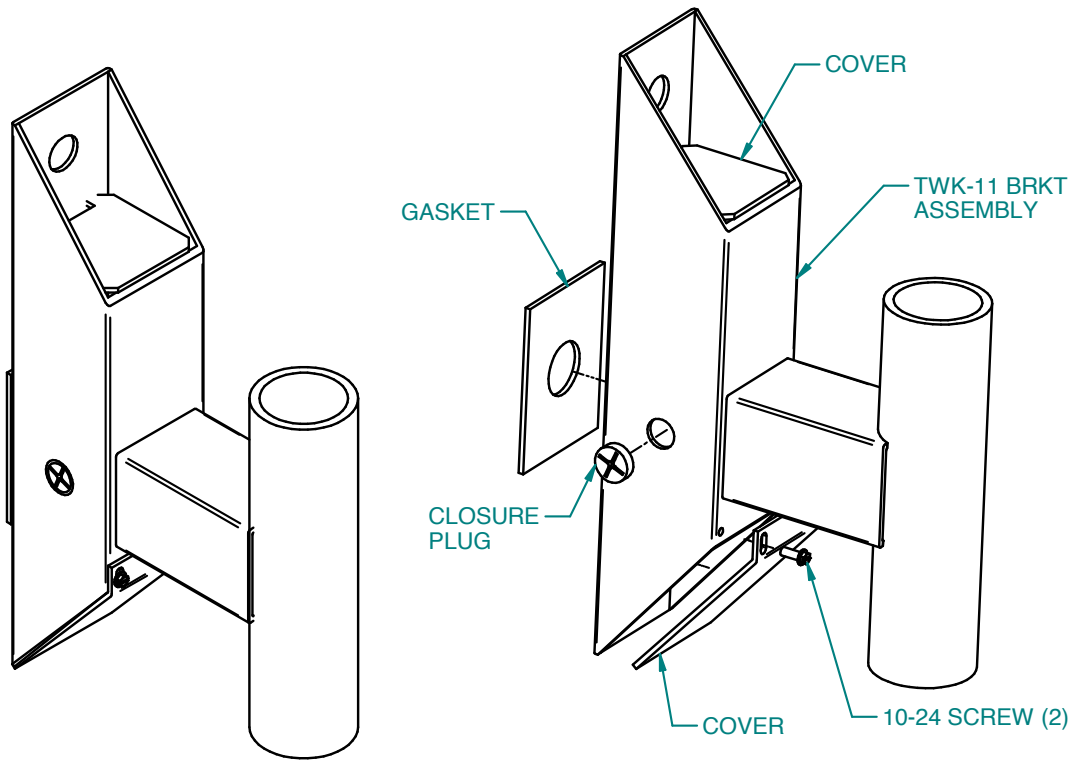


# TWK-11 - Wall Bracket and Splice Compartment

WALL BRACKET ACCESSORY

**Warning:** DISCONNECT POWER BEFORE INSTALLATION OR MAINTENANCE



**Mounting Notes:**

1. Feed cord (2) from fixture through top of cord grip (3). Refer to bushing installation instructions for detail.
2. Secure fixture using 1/2 bolts (6), split washers (7), and Nuts (8).
3. Place slipfitter on top of pole, then secure using setscrews (4) and nuts (5).

**Shipping Package Contents:**

- Wall Bracket (1)
- Wall Bracket cover (1)
- Gasket (1)
- Closure Plug (1)
- 14/3 Cord Grip (1)
- 16/3 Cord grip (1)
- 1/2-13 Screw (2)
- 3/8 Nut (3)
- 1/2 Nut (2)
- Split Washer (2)

**Material:** Steel  
**Finish:** Powder Paint  
**Weight:** 4 lbs