



Tetra[®] 24V Colors

CHANNEL LETTER LIGHTING SYSTEMS



Compact Brilliance

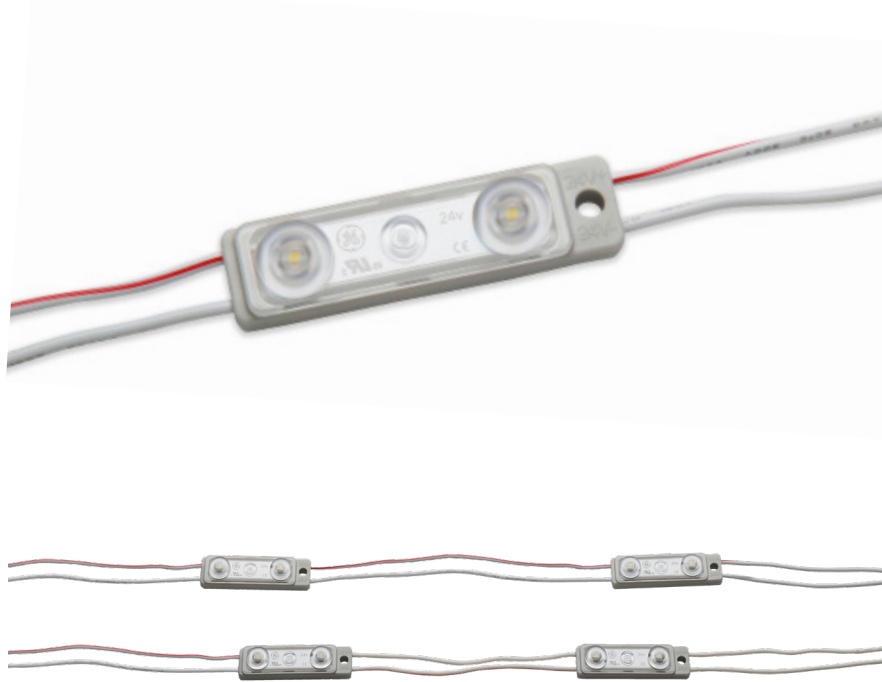
Tetra[®] 24V Colors are a twist on the MiniMax and Max color modules with an upgraded build and performance. Available in six colors, these modules deliver incredibly uniform light, allowing you to use fewer modules for faster installation and lower costs per sign. **Tetra[®] 24V Colors** is IP66 and UL wet rated which makes it more robust and reliable even under wet weather. A rated lifetime exceeding 50,000 hours and a standard 10-year warranty ensures that our modules stands the test of time.

Powerful OptiLens™ X

Tetra® 24V Colors feature OptiLens™ X, our patented technology that allows for an incredible 170° viewing angle. This exclusive technology redirects otherwise wasted light to the sign face, making sure your signs shine.

Full Lineup

Tetra® 24V Colors, is offered in Red, Blue, Green, Amber, Orange, and Red-Orange.



Tetra® 24V Colors Features

- Wide 170° beam angle
- Available in six colors
- Efficacy: up to 138 lm/W
- 24 Volt DC, Class 2 (UL), Class III (IEC)
- UL Wet Rated & IP66
- 10-year limited warranty

Tetra® 24V Colors Spacing

	Can Depth	Coverage
GEMM24XX-W1S GEMX24XX-W1S GEMXH24XX-W1S	3" (76 mm)	7" (178 mm)
	4" - ≥5" (102 mm - ≥127 mm)	10"-13" (254 mm - 330 mm)

Total Reliability

To ensure every **Tetra® 24V Color product** installation will operate brilliantly for years, we perform the most extensive, stringent testing in the industry. We test the LED, water and dust ingress protection, sub-system and complete system at our in-house and independent laboratories around the world. Validation of our designs, components, products and processes include high temperature, high humidity and accelerated life testing.

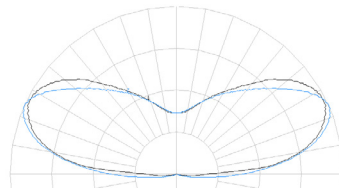


Mechanical Outline & Viewing Angle

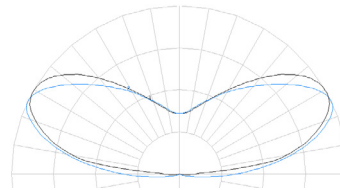
Dimensions in (inches). Metric equivalent mm

ITEM	A	NOTE
GEMM24XX-W1S	152	2MOD./FT
GEMX24XX-W1S GEMXH 24XX-W1S	203	1.5MOD./FT

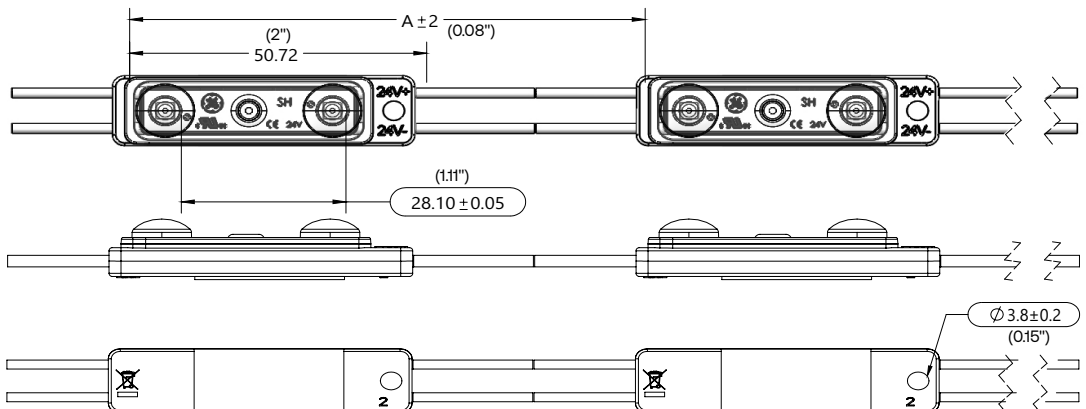
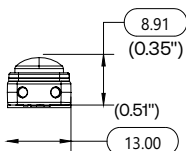
GEMM24XX-W1S



GEMX24XX-W1S
GEMXH24XX-W1S



GEMM24XX-W1S
GEMX24XX-W1S
GEMXH24XX-W1S



Components

SKU	Order Code	Description	Color	Box Quantity	Additional Information
93311818	GEMM24RD-W1S	Tetra® 24V Colors Mini Max	Red	5 strips/box	20ft (6m), 2 modules/ft, 40 modules/strip
93311819	GEMM24BL-W1S	Tetra® 24V Colors Mini Max	Blue	5 strips/box	20ft (6m), 2 modules/ft, 40 modules/strip
93311820	GEMM24GL-W1S	Tetra® 24V Colors Mini Max	Green	5 strips/box	20ft (6m), 2 modules/ft, 40 modules/strip
93311821	GEMM24PO-W1S	Tetra® 24V Colors Mini Max	Orange	5 strips/box	20ft (6m), 2 modules/ft, 40 modules/strip
93311811	GEMXH24RD-W1S	Tetra® 24V Colors Max Hight Output	Red	5 strips/box	20ft (6m), 1.5 modules/ft, 30 modules/strip
93311812	GEMX24RD-W1S	Tetra® 24V Colors Max	Red	5 strips/box	20ft (6m), 1.5 modules/ft, 30 modules/strip
93311817	GEMX24BL-W1S	Tetra® 24V Colors Max	Blue	5 strips/box	20ft (6m), 1.5 modules/ft, 30 modules/strip
93311813	GEMX24GL-W1S	Tetra® 24V Colors Max	Green	5 strips/box	20ft (6m), 1.5 modules/ft, 30 modules/strip
93311814	GEMX24YG-W1S	Tetra® 24V Colors Max	Amber	5 strips/box	20ft (6m), 1.5 modules/ft, 30 modules/strip
93311816	GEMX24PO-W1S	Tetra® 24V Colors Max	Orange	5 strips/box	20ft (6m), 1.5 modules/ft, 30 modules/strip
93311815	GEMX24RC-W1S	Tetra® 24V Colors Max	Red-Orange	5 strips/box	20ft (6m), 1.5 modules/ft, 30 modules/strip

Technical Specifications

Order Code	Wavelength (nm)	Typical Brightness* (Lumens/module)	Typical Brightness* Lumens/ft (Lumens/m)	Modules per Foot	Efficacy/ Module (Lumens/W)	Energy Consumption* Rated Module Wattage	GLX2 Power Supply Loading (ft/100W)	Viewing Angle
GEMM24RD-W1S	625	15	30 (98)	2	44	0.34W/module	120 ft/240 modules	170°
GEMM24BL-W1S	470	11	22 (72)	2	23	0.48W/module	82 ft/164 modules	170°
GEMM24GL-W1S	530	35	70 (230)	2	135	0.26W/module	149 ft/298 modules	170°
GEMM24PO-W1S	605	19	38 (123)	2	41	0.46W/module	86 ft/172 modules	170°
GEMXH24RD-W1S	625	32	48 (157)	1.5	44	0.72W/module	163 ft/244 modules	170°
GEMX24RD-W1S	625	20	30 (98)	1.5	43	0.46W/module	120 ft/180 modules	170°
GEMX24BL-W1S	470	15	23 (74)	1.5	24	0.62W/module	84 ft/126 modules	170°
GEMX24GL-W1S	530	44	66 (217)	1.5	138	0.32W/module	207 ft/310 modules	170°
GEMX24YG-W1S	589	15	23 (74)	1.5	39	0.38W/module	140 ft/210 modules	170°
GEMX24PO-W1S	605	25	38 (123)	1.5	42	0.70W/module	76 ft/114 modules	170°
GEMX24RC-W1S	615	16	24 (79)	1.5	36	0.38W/module	137 ft/206 modules	170°

*Typical performance at 25C +/-10%.

**Typical performance at 25C +/-10% and full driver load.

Additional Specifications

Dimmable	Yes (with dimmable power supply)				
Cutting Resolution	Cut on wire between every module				
Power Supply Voltage	24VDC				
Power Supply Part Numbers	GEPS24-25U-NA Input: 100-305VAC; Output: 24VDC GEPS24D-100U-NA Input: 120-277VAC; Output: 24VDC GEPS24-100U Input: 108-305VAC; Output: 24VDC GEPS24-200U Input: 90-305VAC; Output: 24VDC GEPS24-300U Input: 108-305VAC; Output: 24VDC				
Maximum Supply Wire Limits		18 AWG/0.82 mm² Supply Wire	16 AWG/1.31 mm² Supply Wire	14 AWG/2.08 mm² Supply Wire	12 AWG/3.31 mm² Supply Wire
	25W Power Supply	120 ft./36.6 m	-	-	-
	80W Power Supply	20 ft./6.1 m	25 ft./7.6 m	35 ft./10.6 m	40 ft./12.1 m
	100W Power Supply	20 ft./6.1 m	25 ft./7.6 m	35 ft./10.6 m	40 ft./12.1 m
	200W Power Supply	20 ft./6.1 m	25 ft./7.6 m	35 ft./10.6 m	40 ft./12.1 m
300W Power Supply	20 ft./6.1 m	25 ft./7.6 m	35 ft./10.6 m	40 ft./12.1 m	
Operating Environment	-40 °C to +60 °C (-40 °F to +140 °F)				
Warranty	Limited system warranty of up to ten (10) years				
Module Dimensions (h x l x w) mm (inches)	0.391 x 2 x 0.51 (9.9 x 50.7 x 13)				
System Certifications	UL Recognized (c-us) #E219167, UL Certified Retrofit Sign Conversion Kit (c-us) #E229508, CSA Approved #216319, CE, RCM, Class III, China Rohs t1, IP66 rated: for dry, damp or wet location.				