

DATE: _____ LOCATION: _____
 TYPE: _____ PROJECT: _____
 CATALOG #: _____

VAPORTITE LED

VBGL 2 & VWGL 2

FEATURES

- Sealed Vaportite Luminaire for wall/ceiling/pendant mounting. Perfect for applications such as entry, corridor, tunnel, service area, stairwell or retro-accent application lighting
- Compact size ideal for replacing traditional legacy Vaportite locations
- Frosted glass globe distributes light evenly without any LED pixilation or glare
- Versatile mounting options include: Direct wall to surface j-box (VWGL) or ceiling/canopy mounted directly to surface or with pendant (VBGL). Both configurations include 1/2" threaded conduit hubs on all four sides.
- Color globes available as an accessory options include: Green, Blue, Yellow and Red



VWGL-2

VBGL-2



SPECIFICATIONS

CONSTRUCTION

- Rugged die-cast aluminum housing with removable white cast aluminum guard included
- Gray powder paint provides corrosion resistance and clean finish
- Frosted glass lens distributes light evenly without LED pixilation or glare
- Vandal resistant set screws attach guard to fixture body

OPTICS

- Stock configurations in 4000K CCT
- Wide Type V Distribution
- Luminaire deliver more than 2700 lumens
- Frosted glass globe standard
- Color globes available as an accessory: Green, Blue, Yellow and Red

ELECTRICAL

- 20 Watts, 135 lumens/watt
- Ambient operating temperature -40°C to 40°C
- 120V-277V, 50/60Hz

INSTALLATION

- Wall mount model covers up to 4.5" j-box with 1/2" x 14 NPS threaded conduit entry and four side conduit entries
- Pendant/ceiling mount version accommodates traditional 1/2" x 14 NPS threaded top conduit entry and four side conduit entries

CERTIFICATIONS

- IP66
- Listed to UL1598 for use in wet locations (unit is not rated for use in hazardous locations)

WARRANTY

- 5 Year warranty

KEY DATA	
Lumen Range	2673–2722
Wattage	20
Efficacy Range (LPW)	134–136
Weight lbs. (kg)	3.75–4.41

ORDERING INFORMATION

Catalog Number	Wattage	Mount	Voltage	CCT/CRI	Lumens	LPW	Finish
VWGL-2	20	Wall	120-277V	4000K/80 CRI	2722	136	Grey
VBGL-2	20	Ceiling	120-277V	4000K/80 CRI	2673	134	Grey

VAPORTITE LED

VBGL2 & VWGL 2

REPLACEMENT PARTS (GLOBES) - ORDER SEPARATELY

Catalog Number	Description
VGL-FG	Frosted globe
VGL-GUARD	Grey guard with screws
VGL2-GUARD	White guard with screws
Colored Globes	
VGL-GN	Green globe
VGL-YW	Yellow globe
VGL-BU	Blue globe
VGL-RD	Red globe



ELECTRICAL DATA

Nominal Wattage	Input Voltage	Oper. Current (Amps)	System Power (Watts)
20	120	0.17	20
	208	0.10	20
	240	0.08	20
	277	0.07	20

PROJECTED LUMEN MAINTENANCE

Ambient Temp.	OPERATING HOURS					L70 Calculated (hours)
	0	25,000	50,000	TM-21-11 60,000	100,000	
25°C / 77°F	1.00	92.8	86.4	83.9	74.7	>127,000
40°C / 104°F	0.99	91.8	85.6	83.4	74.6	>127,000

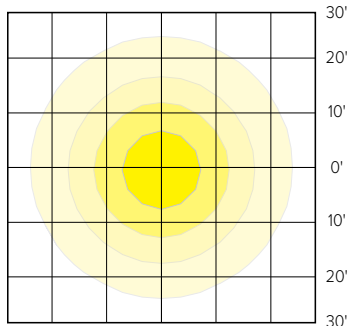
LUMINAIRE AMBIENT TEMPERATURE FACTOR (LATF)

AMBIENT TEMPERATURE		LUMEN MULTIPLIER
0° C	32° F	1.02
10° C	50° F	1.01
20° C	68° F	1.00
25° C	77° F	1.00
30° C	86° F	1.00
40° C	104° F	0.99

Use these factors to determine relative lumen output for average ambient temperatures from 0-40°C (32-104°F).

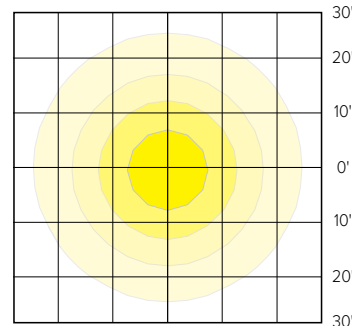
PHOTOMETRY

VBGL-2



Mounting Distance: 10'

VWGL-2



Mounting Distance: 10'

VAPORTITE LED

VBGL2 & VWGL 2

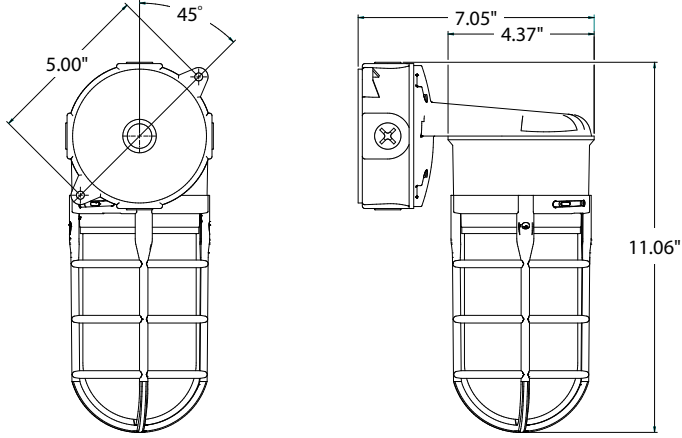
DATE: _____ LOCATION: _____

TYPE: _____ PROJECT: _____

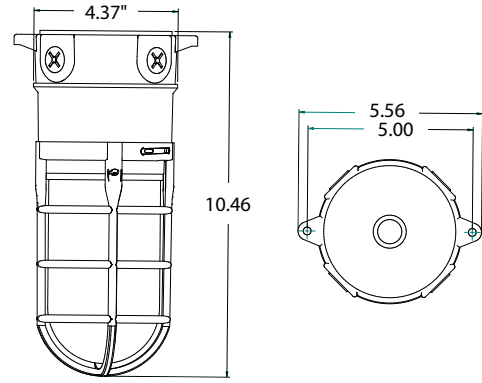
CATALOG #: _____

DIMENSIONS

VWGL-2



VBGL-2



USE OF TRADEMARKS AND TRADE NAMES

All product and company names, logos and product identifies are trademarks™ or registered trademarks® of Current Lighting, or their respective owners. Use of them does not necessarily imply any affiliation with or endorsement by such respective owners.