

WGH LED SERIES

SWITCHABLE – GLASS WALLPACK

tradeSELECT®



FEATURES

- Three sizes: Small, Medium and Large
- 20–120 Watts
- Field switchable lumens in WGH1 (3000–7000 lumens)
- Field switchable lumens and LED color temperature in WGH2 and WGH3 (4000K, 4500K, & 5000K)
- Standard bronze finish
- Up to 150 lumens per watt
- Borosilicate glass refractor softens LED pixilation and provides uniform distribution



SPECIFICATIONS

CONSTRUCTION

- Die-cast Aluminum Frame holds and seals to housing with 2 stainless steel screws
- Built in button photocell with shorting cap on WGH2 and WGH3; Available with and without photocell in WGH1
- Cast aluminum housing has three 1/2" conduit entries on top and sides
- All units have dark bronze matte textured powder coat finish (matches DBT finish)
- Operating Temp -40C to 40C

OPTICS

- High efficacies, up to 150 LPW
- Impact resistant borosilicate glass lens

INSTALLATION

- Door assembly hinges on side
- Leveling device contained inside the housing for ease of installation

ELECTRICAL

- Universal Voltage (120-277V)
- Dimmable drivers standard
- Built in 6kV surge protector
- WGH1 wattage includes 20, 30, 40, 50
- WGH2 wattage includes 30, 40, 50, 60, 70
- WGH3 wattage includes 80, 90, 100, 110, 120

CERTIFICATIONS

- Listed to UL1598 and CSA C22.2#250.0-24 for wet locations and 40°C ambient temperatures
- Wet listed
- Consortium (DLC) standard & premium qualifications, consult DLC website for more details: <http://www.designlights.org/QPL>
- IP65 rated housing

WARRANTY

- 5 year warranty

KEY DATA	
Lumen Range	2,959–17,142
Wattage Range	20–120
Efficacy Range (LPW)	139–152
Fixture Projected Life (Hours)	>60K

ORDERING GUIDE

Housing	Catalog Number	Wattage	Voltage	Dist. Type	Delivered Lumens	LPW	CCT	Weight lbs. (kg)
Small	WGH1-LS-4K	20-50W	120-277V	4	3,000-7,000	140-146	4000K	8.38 (3.8)
Small	WGH1-LS-4K-PC	20-50W	120-277V	4	3,000-7,000	140-146	4000K	8.38 (3.8)
Medium	WGH2-LSCS	30–70W	120-277V	4	4,600–10,000	140–150	4000K, 4500K, 5000K	10.80 (4.9)
Large	WGH3-LSCS	80–120W	120-277V	4	9,800–17,150	139–149	4000K, 4500K, 5000K	13.89 (6.3)

WGH LED
GLASS WALLPACK

PERFORMANCE DATA

Description	SYSTEM WATTS	Distribution Type	5K (5000K NOMINAL)					45K (4500K NOMINAL)					4K (4000K NOMINAL)				
			Lumens	LPW	B	U	G	Lumens	LPW	B	U	G	Lumens	LPW	B	U	G
WGH1	20W	4	N/A	N/A	N/A	N/A	N/A	N/A	N/A	N/A	N/A	N/A	2959	146	1	3	2
	30W	4	N/A	N/A	N/A	N/A	N/A	N/A	N/A	N/A	N/A	N/A	4371	146	1	3	3
	40W	4	N/A	N/A	N/A	N/A	N/A	N/A	N/A	N/A	N/A	N/A	5619	143	1	3	3
	50W	4	N/A	N/A	N/A	N/A	N/A	N/A	N/A	N/A	N/A	N/A	6951	140	1	3	3
WGH2	30W	4	4663	141	1	4	3	4758	144	1	4	3	4624	140	1	4	3
	40W	4	5496	141	1	4	4	5608	144	1	4	4	5450	140	1	4	4
	50W	4	7112	141	1	4	4	7257	144	1	4	4	7053	140	1	4	4
	60W	4	8435	141	1	5	5	8607	144	1	5	5	8364	140	1	5	5
	70W	4	9797	141	1	5	5	9997	150	1	5	5	9714	145	1	5	5
WGH3	80W	4	11581	146	2	4	5	12070	152	2	4	5	11662	147	2	4	5
	90W	4	12621	140	2	4	5	13131	146	2	4	5	12682	141	2	4	5
	100W	4	14055	140	3	5	5	14622	146	3	5	5	14123	141	3	5	5
	110W	4	15472	141	3	5	5	16096	146	3	5	5	15547	141	3	5	5
	120W	4	16477	139	3	5	5	17142	149	3	5	5	16557	139	3	5	5

ELECTRICAL DATA

WGH1-Small

Nominal Wattage	Input Voltage	Oper. Current (Amps)	System Power (Watts)
20	120	0.17	20.3
	208	0.10	
	240	0.08	
	277	0.07	
30	120	0.25	30.0
	208	0.14	
	240	0.13	
	277	0.11	
40	120	0.33	39.2
	208	0.19	
	240	0.16	
	277	0.14	
50	120	0.42	49.8
	208	0.24	
	240	0.21	
	277	0.18	

WGH LED
GLASS WALLPACK

ELECTRICAL DATA (CONTINUED)

WGH2-Medium

Nominal Wattage	Input Voltage	Oper. Current (Amps)	System Power (Watts)
30	120	0.24	29.3
	208	0.14	
	240	0.12	
	277	0.11	
40	120	0.34	41.2
	208	0.20	
	240	0.17	
	277	0.15	
50	120	0.44	53.1
	208	0.26	
	240	0.22	
	277	0.19	
60	120	0.49	59.2
	208	0.28	
	240	0.25	
	277	0.21	
70	120	0.56	66.8
	208	0.32	
	240	0.28	
	277	0.24	

WGH3-Large

Nominal Wattage	Input Voltage	Oper. Current (Amps)	System Power (Watts)
80	120	0.66	79.6
	208	0.38	
	240	0.33	
	277	0.29	
90	120	0.74	88.2
	208	0.42	
	240	0.37	
	277	0.32	
100	120	0.84	100.2
	208	0.48	
	240	0.42	
	277	0.36	
110	120	0.91	109.2
	208	0.53	
	240	0.46	
	277	0.39	
120	120	0.99	118.9
	208	0.57	
	240	0.50	
	277	0.43	

LUMINAIRE AMBIENT TEMPERATURE FACTOR (LATF)

Ambient Temperature		Lumen Multiplier
0°C	32°F	1.03
10°C	50°F	1.01
20°C	68°F	1.00
25° C	77° F	1.00
30° C	86° F	0.99
40° C	104° F	0.98
50° C	122° F	0.97

Use these factors to determine relative lumen output for average ambient temperatures from 0-40°C (32-104°F).

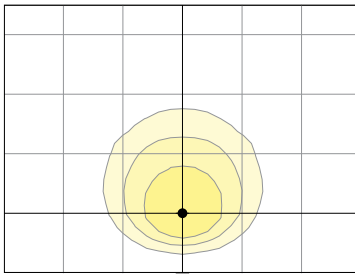
WGH LED
GLASS WALLPACK

PROJECTED LUMEN MAINTENANCE

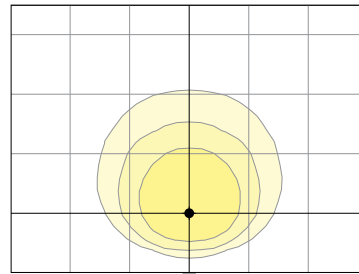
Ambient Temperature	OPERATING HOURS					
	0	25,000	TM-21-11 L96 60,000	50,000	100,000	L70 (Hours)
25°C / 77°F	1.00	0.97	0.95	0.93	0.84	205,000
40°C / 104°F	0.99	0.95	0.93	0.90	0.81	178,000

PHOTOMETRY

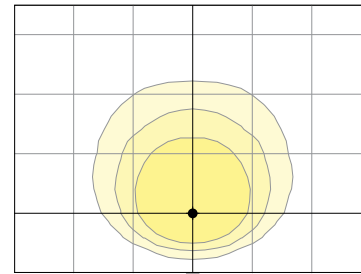
WGH1 - 20W



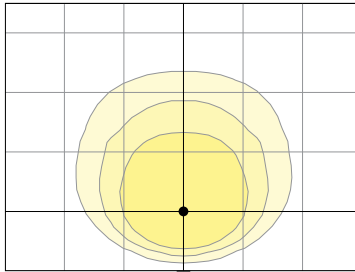
WGH1 - 30W



WGH1 - 40W



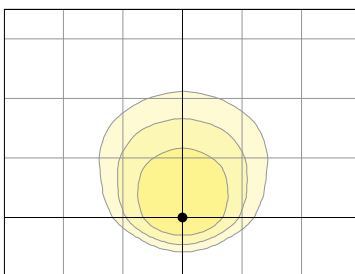
WGH1 - 50W



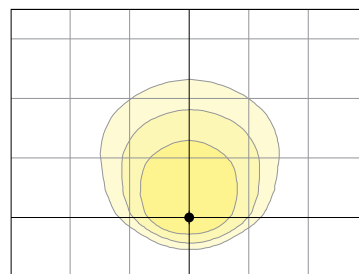
Switchable from 20 to 50 watts



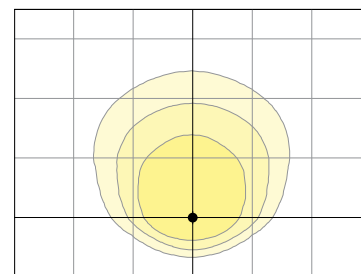
WGH2 - 30W



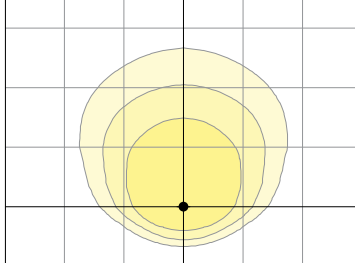
WGH2 - 40W



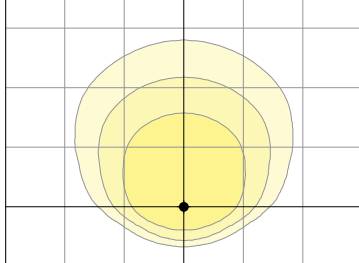
WGH2 - 50W



WGH2 - 60W



WGH2 - 70W



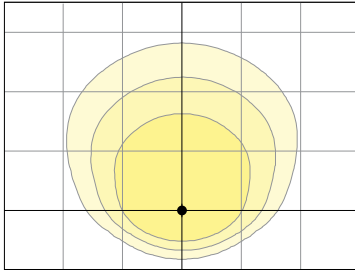
Switchable from 30 to 70 watts, CCT switchable 4K, 45K, 5K



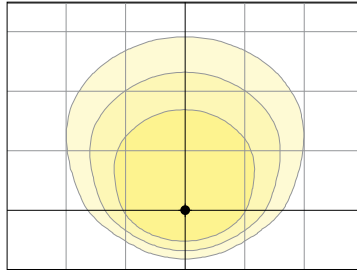
WGH LED
GLASS WALLPACK

PHOTOMETRY (CONTINUED)

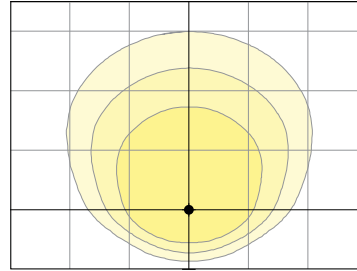
WGH3 - 80W



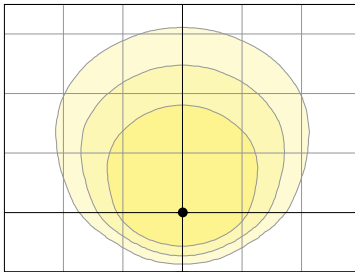
WGH3 - 90W



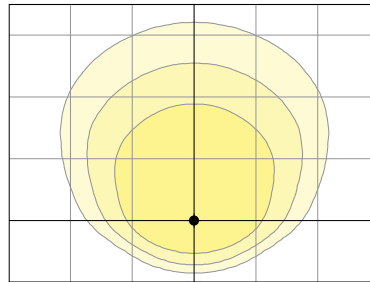
WGH3 - 100W



WGH3 - 110W



WGH3 - 120W

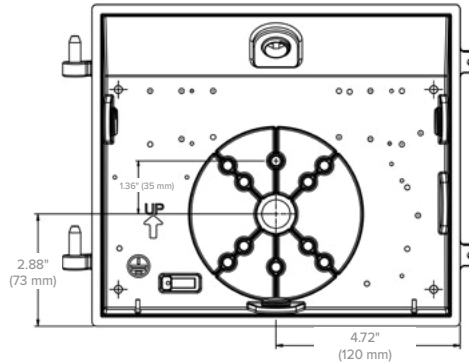
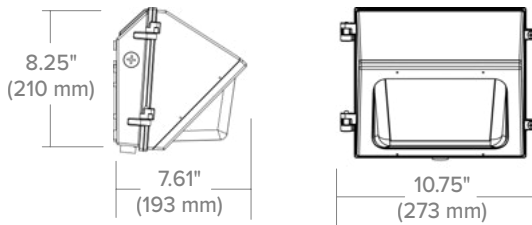


Switchable from 80 to 120 watts, CCT switchable 4K, 45K, 5K

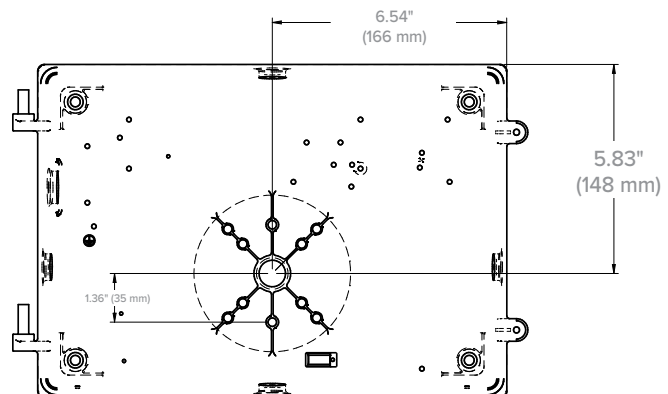
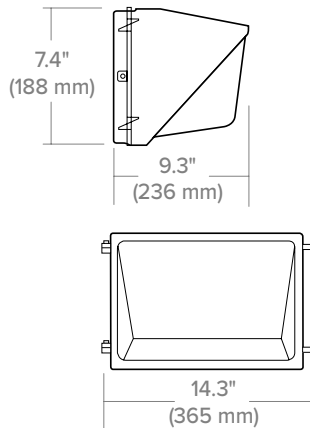


DIMENSIONS

WGH1



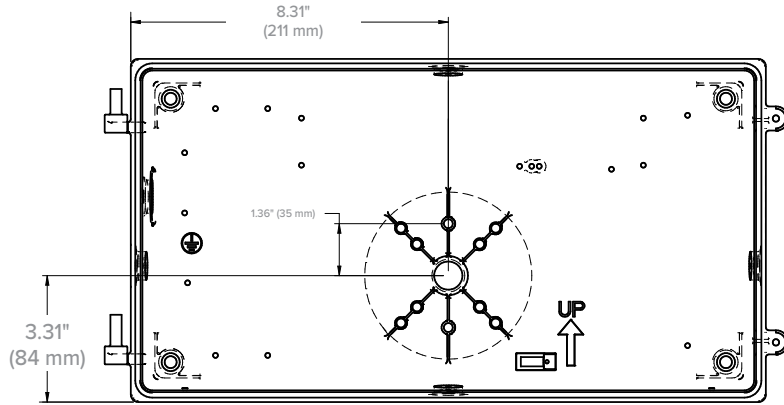
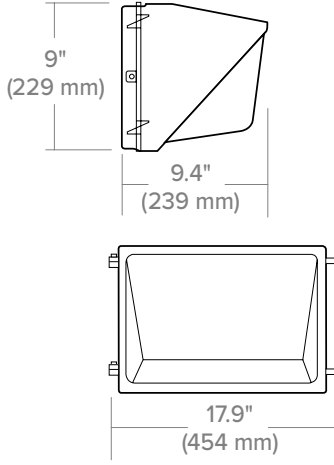
WGH2



DATE: _____ LOCATION: _____
 TYPE: _____ PROJECT: _____
 CATALOG #: _____

DIMENSIONS (CONTINUED)

WGH3



LEVEL SYSTEM



Incorporated level system in fixture

USE OF TRADEMARKS AND TRADE NAMES

All product and company names, logos and product identifies are trademarks™ or registered trademarks® of Current or their respective owners. Use of them does not necessarily imply any affiliation with or endorsement by such respective owners.