

Win30

30" WINDSOR LUMINAIRE

FEATURES

- The Windsor Series of 8-sided lanterns is available in 2 scaled sizes for different mounting heights
- Reliability and Technology are designed in to the classic lantern form factor
- Replace HID lighting up to 250W MH or HPS
- Clear or Diffused Lensing
- Choice of 6 Trim Styles
- Choice of 5 Fitter Styles
- Integral surge and thermal protection



CONTROL TECHNOLOGY



SPECIFICATIONS

CONSTRUCTION

- The electrical chamber/fitter shall be cast aluminum
- Decorative fitter shall be designed to accommodate the driver assembly and shall be mounted to 3" OD x 3" H tenon and be secured by three or more stainless steel set screws
- Coated with a polyester finish that meets ASTM B117 corrosion test requirements and ASTM D522 cracking and loss of adhesion test requirements
- External hardware is corrosion resistant

ELECTRICAL

- 100V through 277V, 50 Hz to 60 Hz (UNV)
- Power factor is ≥ 0.90 at full load
- One piece optical cartridge system consisting of an LED engine, LED lamps, optics, gasket and stainless steel bezel
- Cartridge is held together with internal brass standoffs soldered to the board so that it can be field replaced as a one piece optical system
- Polyurethane gasket ensures a weather-proof seal around each individual LED
- Fixture electrical compartment shall contain all LED driver components
- Rated ambient operating temperature -40°C to 40°C

ELECTRICAL (CONTINUED)

- Lifeshield™ Circuit - protects luminaire from excessive temperature. The device shall activate at a specific, factory-preset temperature, and progressively reduce power over a finite temperature range
- Surge protection - 20kA

CONTROLS/OPTIONS

- Available with Energeni for optional set dimming, timed dimming with simple delay, or timed dimming based on time of night

FINISH

- IFS polyester powder-coat electrostatically applied and thermocured
- IFS finish consists of a five stage pretreatment regimen with a polymer primer sealer and top coated with a thermoset super TGIC polyester powder coat finish
- The finish meets the AAMA 2604 performance specification which includes passing a 3000 hour salt spray test for corrosion resistance and resists cracking or loss of adhesion per ASTM D522 and resists surface impacts of up to 160 inch-pounds

WARRANTY

- 5 year warranty

KEY DATA	
Wattage Range	55-80
Max EPA	1.93 sq ft
Weight lbs. (kg)	40.0 (18.1)

Win30

30" WINDSOR LUMINAIRE

ORDERING GUIDE

Example: WIN30-AC-24L-55-3K7-UNV-2-PEC-PT-SPK-BLT

 CATALOG #

ORDERING INFORMATION

WIN30						
Series	Lens Option	Engine - Watts	CCT - Color Temp	Voltage	Optics	Electrical Options
WIN30 Windsor 30"	AC Acrylic, clear AF Acrylic, frosted AS Acrylic, seeded AW Acrylic, white PC Polycarbonated, clear PF Polycarbonated, frosted NL No Lens	24L-55 55 watts - LED array 36L-80 80 watts - LED array	3K7 3000K 4K7 4000K 5K7 5000K	UNV 120-277V 347 347V 480 480V	DIR2 Type II DIR3 Type III DIR4 Type IV DIR5 Type V	PEC Universal Button Photocontrol

Controls Options	Mounting Options	Style Options	Color
GENI-XX Energeni ¹	PT Post Top PM Pendant Mount ²	SPK Spikes	BLT Black Matte Textured BLS Black Gloss Smooth DBT Dark Bronze Matte Textured DBS Dark Bronze Gloss Smooth GTT Graphite Matte Textured LGS Light Grey Gloss Smooth PSS Platinum Silver Smooth WHT White Matte Textured WHS White Gloss Smooth VGT Verde Green Textured Color Option CC Custom Color

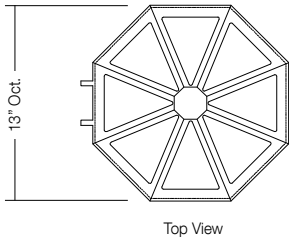
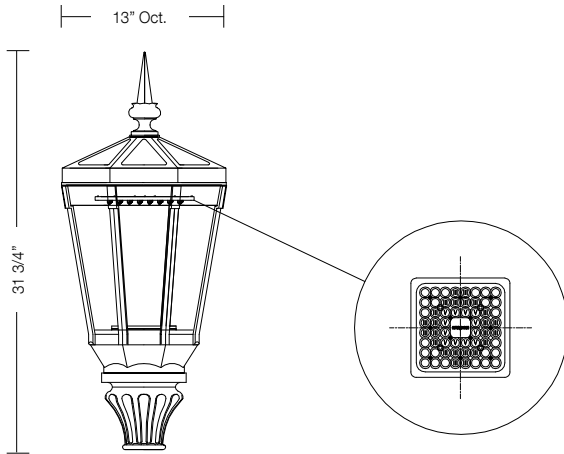
Notes:

- When ordering Energeni, specify the routine setting code (example GENI-04). See Energeni brochure and instructions for setting table and options. Not available with sensor options.
- Consult Factory

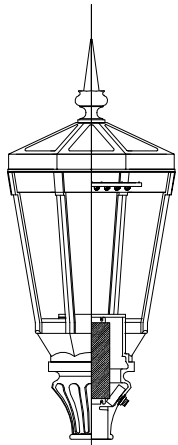
Win30

30" WINDSOR LUMINAIRE

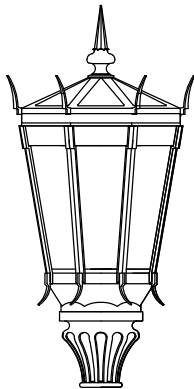
DIMENSIONS



MOUNTING AND STYLE OPTIONS



Post Top



Spikes