

# Win40

40" WINDSOR LUMINAIRE

## FEATURES

- The Windsor Series of 8-sided lanterns is available in 2 scaled sizes for different mounting heights
- Reliability and Technology are designed in to the classic lantern form factor
- IES Distributions
- Clear or Diffused Lensing
- Choice of 6 Trim Styles
- Choice of 5 Fitter Styles
- Integral surge and thermal protection



## SPECIFICATIONS

### CONSTRUCTION

- The electrical chamber/fitter shall be cast aluminum
- Decorative fitter shall be designed to accommodate the driver assembly and shall be mounted to 3" OD x 3" H tenon and be secured by three or more stainless steel set screws
- Coated with a polyester finish that meets ASTM B117 corrosion test requirements and ASTM D522 cracking and loss of adhesion test requirements
- External hardware is corrosion resistant

### ELECTRICAL

- 100V through 277V, 50 Hz to 60 Hz (UNV)
- Power factor is  $\geq 0.90$  at full load
- One piece optical cartridge system consisting of an LED engine, LED lamps, optics, gasket and stainless steel bezel
- Cartridge is held together with internal brass standoffs soldered to the board so that it can be field replaced as a one piece optical system

### ELECTRICAL (CONTINUED)

- Polyurethane gasket ensures a weather-proof seal around each individual LED
- Fixture electrical compartment shall contain all LED driver components
- Rated ambient operating temperature -40°C to 40°C
- Lifeshield™ Circuit - protects luminaire from excessive temperature. The device shall activate at a specific, factory-preset temperature, and progressively reduce power over a finite temperature range
- Surge protection - 20kA

### CONTROLS/OPTIONS

- Available with Energeni for optional set dimming, timed dimming with simple delay, or timed dimming based on time of night

### FINISH

- IFS polyester powder-coat electrostatically applied and thermocured
- IFS finish consists of a five stage pretreatment regimen with a polymer primer sealer and top coated with a thermoset super TGIC polyester powder coat finish
- The finish meets the AAMA 2604 performance specification which includes passing a 3000 hour salt spray test for corrosion resistance and resists cracking or loss of adhesion per ASTM D522 and resists surface impacts of up to 160 inch-pounds

### WARRANTY

- 5 year limited warranty

KEY DATA	
Wattage Range	55-136
Max EPA	2.65 sqft
Max Weight (lbs)	50.0

# Win40

40" WINDSOR LUMINAIRE

## ORDERING GUIDE

Example: WIN40-AC-24L-55-5K-UNV-DIR2-PEC-PT-SPK-BLT

CATALOG # \_\_\_\_\_

### ORDERING INFORMATION

WIN40						
<b>Series</b>	<b>Lens Option</b>	<b>Engine - Watts</b>	<b>CCT - Color Temp</b>	<b>Voltage</b>	<b>Optics</b>	<b>Electrical Options</b>
WIN40 Windsor 40"	<b>AC</b> Acrylic, clear <b>AF</b> Acrylic, frosted <b>AS</b> Acrylic, seeded <b>AW</b> Acrylic, white <b>PC</b> Polycarbonated, clear <b>PF</b> Polycarbonated, frosted	<b>24L-55</b> 55 watts - LED array <b>36L-80</b> 80 watts - LED array <b>48L-110</b> 110 watts - LED array <b>60L-136</b> 136 watts - LED array	<b>3K</b> 3000K <b>4k</b> 4000K <b>5K</b> 5000K (std.)	<b>UNV</b> 120-277V <b>347</b> 347V <b>480</b> 480V	<b>DIR2</b> Type II <b>DIR3</b> Type III <b>DIR4</b> Type IV <b>DIR5</b> Type V	<b>PEC</b> Photocell, button

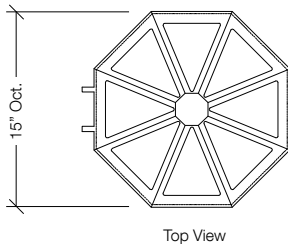
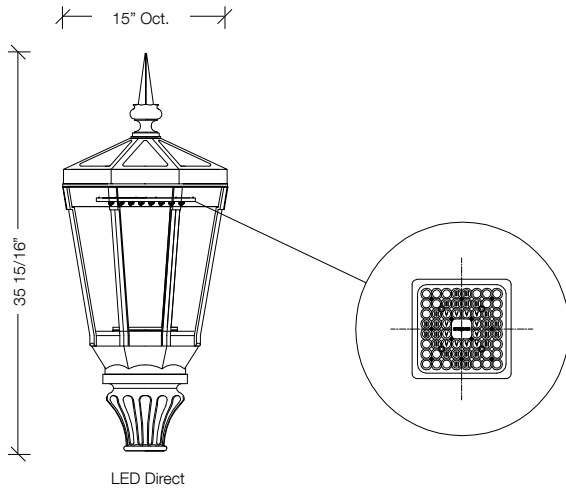
<b>Controls Options</b>	<b>Mounting Options</b>	<b>Style Options</b>	<b>Color</b>
<b>GENI-XX<sup>1</sup></b> Energeni	<b>PT</b> Post Top <b>PM</b> Pendant Mount	<b>SPK</b> Spikes	<b>BLT</b> Black Matte Textured <b>BLS</b> Black Gloss Smooth <b>DBT</b> Dark Bronze Matte Textured <b>DBS</b> Dark Bronze Gloss Smooth <b>GTT</b> Graphite Matte Textured <b>LGS</b> Light Grey Gloss Smooth <b>PSS</b> Platinum Silver Smooth <b>WHT</b> White Matte Textured <b>WHS</b> White Gloss Smooth <b>VGT</b> Verde Green Textured <b>Color Option</b> <b>CC</b> Custom Color

- Notes:
- When ordering Energeni, specify the routine setting code (example GENI-04). See Energeni brochure and instructions for setting table and options. Not available with sensor options.
  - 40" only

# Win40

40" WINDSOR LUMINAIRE

## DIMENSIONS



## MOUNTING AND STYLE OPTIONS

