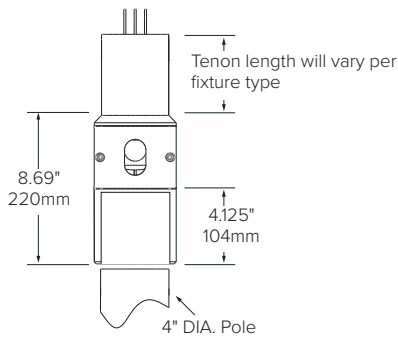


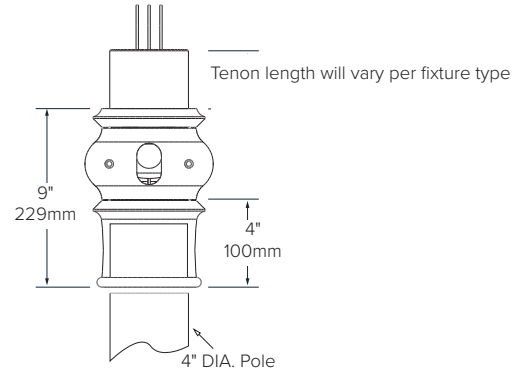
PHOTOCELL

PCA-C



Rotatable photocell housing. The photocell can be aimed away from stray light sources for an accurate setting. The photocell is also shielded from light emissions from the fixture. The housing slips over a 4"/100mm O.D. pole. a fixture or arm slips over the 4"/100mm O.D. tenon. Includes an internal twist lock receptacle, and an access cover with integral lens and stainless steel tether. Adds 4.5"/114mm to the overall height of the pole/fixture assembly. Prewired on the load side and line side for easy installation. Photocell by others.

PCA-T

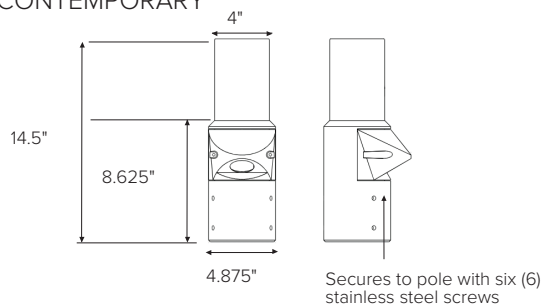


Rotatable photocell housing. The photocell can be aimed away from stray light sources for an accurate setting. The photocell is also shielded from light emissions from the fixture. The housing slips over a 4"/100mm O.D. pole. a fixture slips over the 4"/100mm O.D. tenon. Includes an internal twist lock receptacle, and an access cover with integral lens and stainless steel tether. Adds 5"/125mm to the overall height of the pole/fixture assembly. Prewired on the load side and line side for easy installation. Photocell by others.

EGRESS

EPA-C

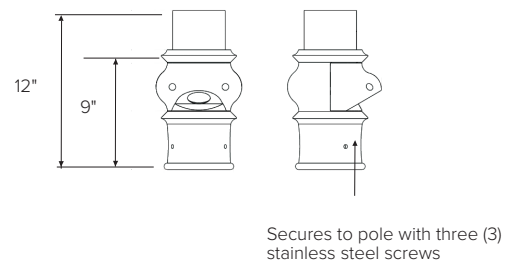
CONTEMPORARY



The Contemporary Egress Post Top Adapter can be integrated into an existing non-egress-fitted pole application to provide code-required egress illumination. This adapter features 360° rotation for easy field adjustments. It also features an adjustable bracket that can be positioned between 15-45°, so concise, direct illumination can be provided onto the path of egress. The Egress PTA is wired to an auxiliary 120 volt power source that activates the lower-wattage MR16 in the event of an emergency or power interruption. The housing slips over a 4"/100mm O.D. pole. It includes an access cover with an integral lens and a lanyard safety cable. The contemporary model is 14 1/2" tall, but only adds 3 5/8" to the overall height of the pole. Prewired on both the load side and line side for easy installation.

EPA-T

TRADITIONAL

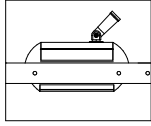


The Traditional Egress Post Top Adapter can be integrated into an existing non-egress-fitted pole application to provide code-required egress illumination. This adapter features 360° rotation for easy field adjustments. It also features an adjustable bracket that can be positioned between 15-45 degrees, so concise, direct illumination can be provided onto the path of egress. The Egress PTA is wired to an auxiliary 120 volt power source that activates the lower-wattage MR16 in the event of an emergency or power interruption. The housing slips over a 4"/100mm O.D. pole. It includes an access cover with an integral lens and a lanyard safety cable. The traditional model is 12" tall, but only adds 3 5/8" to the overall height of the pole. Prewired on both the load side and line side for easy installation.

Accessories

BPC12 - BPC27

Swivel type photocell with adjustable swivel for aiming. Requires field wiring. Consult factory for specific fixture availability.



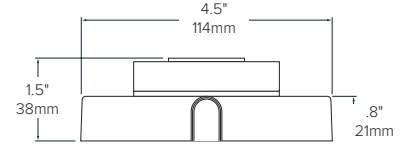
PHC

Button type photocell and cast shield. Standard location is 12" down from top of pole. Specify voltage.



PCR

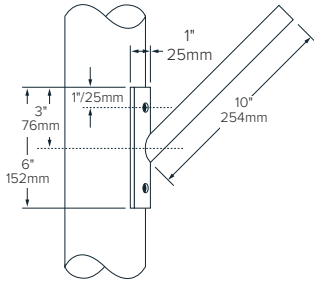
Low profile twist lock photocell receptacle with cast pole cap top. Secures to the top of the pole with three stainless steel set screws. Photocell by others.



OTHER ACCESSORIES

FH

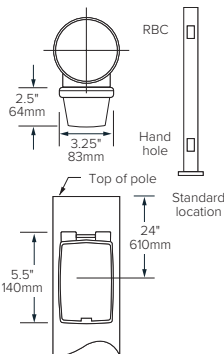
Flag holder. (Specify location on pole)



RBC

Cast aluminum receptacle housing, integrally welded to the pole. Includes a NEC approved clear weatherproof in-use cover. Does not include a receptacle or internal wiring.

(Standard RBC is 24" below the top of the pole. Consult factory for alternative locations, which may require additional factory reinforcement)



GFI (WITH RBC)

Ground Fault Interrupter. Wet location receptacle. Standard location is 24" down from top of pole.



AD4

This adapter is to be used only with standard AAL arms and post top mount fixtures to slip over a 4"/100mm O.D. pole.

AD5

This adapter is to be used only with standard AAL arms and post top mount fixtures that slip over a 4" O.D. pole. The AD5 is a cast aluminum adapter that slips into the arm or (PM option on the UCM) and slips over a 5"/125mm O.D. pole.

