

DATE: _____ LOCATION: _____
 TYPE: _____ PROJECT: _____
 CATALOG #: _____

FEATURES

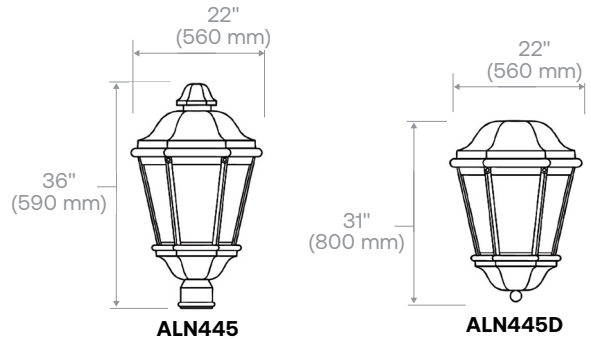
- Reliable, uniform, glare free illumination
- Types 2, 3, 4, 5, distributions
- 3000K, 4000K, 5000K CCT
- 0-10V dimming ready
- Integral surge suppression
- Upgrade Kits



See Certification Specifications



Towne Commons ALN445



	WEIGHT	EPA (FT2) TOTAL
ALN445	48 lbs/21.8 kg 52 lbs/23.6 kg	3.45

SPECIFICATIONS

CONSTRUCTION

- Luminaire shall be cast A356 alloy aluminum, free of any porosity or cosmetic fillers. Castings shall be of uniform wall thickness, minimum .188 inch with no warping or mold shifting.
- The top cap shall hinge open by loosening two captive fasteners. The top shall seal the lamp compartment with a continuous silicone gasket. The lens shall be one-piece clear optical grade acrylic with a one-piece memory retentive silicone gasket on top and bottom. The LED and driver assembly shall be serviceable by backing out three thumb screws to allow for the light engine to be lifted out. Quick disconnects shall be used for all electrical connections.
- All internal and external hardware shall be stainless steel
- Fixture finish shall consist of a five stage pretreatment regimen with a polymer primer sealer, oven dry off and top coated with a thermoset super TGIC polyester powder coat finish. The finish shall meet the AAMA 2604-02 performance specification which includes passing a 3000 hour salt spray test for corrosion resistance

LED/OPTICS

- The optical assembly shall be completely sealed with a one piece injection molded silicone gasket to prevent dust, insect or moisture contamination. The optical array shall consist of high brightness light emitting diodes mounted to a printed metal circuit board with precision injection molded optically clear lenses discretely coupled to each individual diode. The printed circuit board assembly shall have a uniform conformal coating with the exception of the optical output lens at each diode and be mechanically fastened to an anodized die-cast aluminum heat sink. Standard color temperatures shall be 3000K, 4000K and

5000K

INSTALLATION

- Fixtures must be grounded in accordance with national, state and/or local electrical codes. Failure to do so may result in serious personal injury
- The top of the fixture shall hinge open for relamping by loosening two stainless steel fasteners
- Post top mounting: The fixture shall slip over a 5"/127mm O.D. pole or tenon and be secured to the pole with three (or six) stainless steel set screws
- Arm or wall mounting: The fixture shall be attached to the cast arm with three stainless steel bolts and a silicone gasket

ELECTRICAL

- All Luminaires shall accept 120 thru 277 volt input and have integral surge protection. Drivers shall be UL recognized and have a 0-10v dimming interface with a dimming range of 10-100%. Approved dimmers include Lutron Diva AVTV, Lutron Nova NFTV and NTFTV. (Note: not compatible with current sourcing dimmers). Consult factory for current list of known compatible dimming systems. LifeShield™ shall be provided with all configurations for added protection in extreme temperature environments (-30°C to 60°C). The electrical assembly shall be mounted to a serviceable tray. The surge protector shall be U.L. recognized and have a surge current rating of 10,000 Amps using the industry standard 8/20uSec wave with a clamping voltage of 320V and surge rating of 372J. The surge protector case shall be a high-temperature, flame resistant plastic enclosure. The electrical assembly shall be installed and

prewired in the fixture

CONTROLS

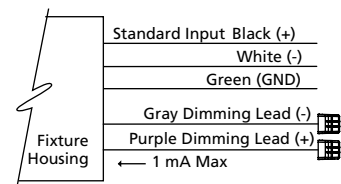
- SCP shall have an integral surge protection device with a current rating of 10,000 Amps using the industry standard 8/20uSec wave and surge rating of 372J
- Sensor not intended for use with additional photo-control, wireless control or dimming systems

CERTIFICATIONS

- ETL listed under UL 1598 and CSA C22.2 No. 250.0-08 for wet locations
- This product qualifies as a "designated country construction material" per FAR 52.225-11 Buy American-Construction Materials under Trade Agreements effective 6/06/2020

WARRANTY

- 5 year warranty



KEY DATA	
LUMEN RANGE	3,310-5,736
WATTAGE RANGE	75
EFFICACY RANGE (LPW)	44-76
INPUT CURRENT RANGE (mA)	700 mA

DATE:	LOCATION:
TYPE:	PROJECT:
CATALOG #:	

ORDERING GUIDE

Example: ALN445-Y2-32LED-3K-700-BLS-SBL-TRA3

CATALOG #

HOUSING

ALN445	Luninaire	Distribution	Color Temp	Driver	Color	Options
ALN445	Towne Commons LED, Arm or Post Top Mount	Y2 Type 2 Y3 Type 3 Y4 Type 4 Y5 Type 5	32LED-3K Warm White, 3000K output 32LED-4K Neutral White, 4000K output 32LED-5K Bright White, 3000K output 32LED-27 Bright White, 3000K output 32LED-35 Bright White, 3000K output	700 700mA drive current, 75 watts	BLS Black Gloss Smooth BLT Black Matte Textured DBS Dark Bronze Gloss Smooth DBT Dark Bronze Matte Textured GTT Graphite Matte Textured LGS Light Grey Gloss Smooth LGT Light Grey Matte Textured PSS Platinum Silver Gloss Smooth VGT Verde Green Matte Textured WHS White Gloss Smooth WHT White Matte Textured Color Option CC ² Custom Color	LDL Lightly diffused lens SBL Sandblast diffused lens HSS-L House side shield, consists of three field installed panels attached to the inside of the lens. Installing three panels blocks 180° of the lens MAT Mast arm adapter slips over a 2 3/8" / 60mm O.D. pipe and is secured with 4 stainless steel set screws. For ALN445D only. PMC Pendant kit includes canopy and 48" / 1220mm of brass chain painted the fixture color. For ALN445D only. PMS Pendant mount with 48" / 1220mm stem and canopy with swivel. For ALN445D only. PT4 Post top adaptor for a 4" / 102mm O.D. pole.
ALN445D	Towne Commons LED, Top Mounted Arm or Pendant Mount					


Control*	Mounting
PCA-C Contemporary photocell adaptor, not for Wall Mount.	Post Top Mount The fixture shall slip over a 5" / 127mm O.D. pole or tenon and be secured to the pole with three (or six) stainless steel set screws.
PCA-T Traditional photocell adaptor, not for Wall Mount.	Pole Side Mount 4" O.D. or 5" O.D. slide mount
SCP Sensor Control Programmable (View product page) Pole accessory is available to provide occupancy detection for outdoor application meeting California Title 24. For additional information related to these accessories please visit currentlighting.com . Options provided for use with integrated sensor, please view specification sheet ordering information table for details.	ALN445 TRA1M TRA3 TRA5U TRA55 TRA56 (4" only) TRA57 ALN445D TRA2M TRA2L SLA3 (4" only) SLA8D SLA22D Pole Top Mount Arm ALN445 SLA1 SLA1-2 ALN445D TRA4 TRA7 TRA7-2 TRA8 TRA9 TRA9-2 SLA4 SLA4-2 SLA7 SLA7-2 SLA9 SLA9-2 SLA10 SLA10-2 SLA16 SLA16-2 SLA17 SLA17-2 SLA18 SLA18-2 Wall Mount ALN445 WMA1M WMA1L WMA3 WMA35U WMA36U WMA55 WMA56 WMA57 WMA59U WMA22U ALN445D WMA2M WMA2L WMA37 WMA38 WMA39 WMA4 WMA6 WMA8 WMA9D WMA10 WMA11 WMA12 WMA16 WMA17 WMA18 WMA22D Pier Mount PM1 PM2 PM3

Notes:

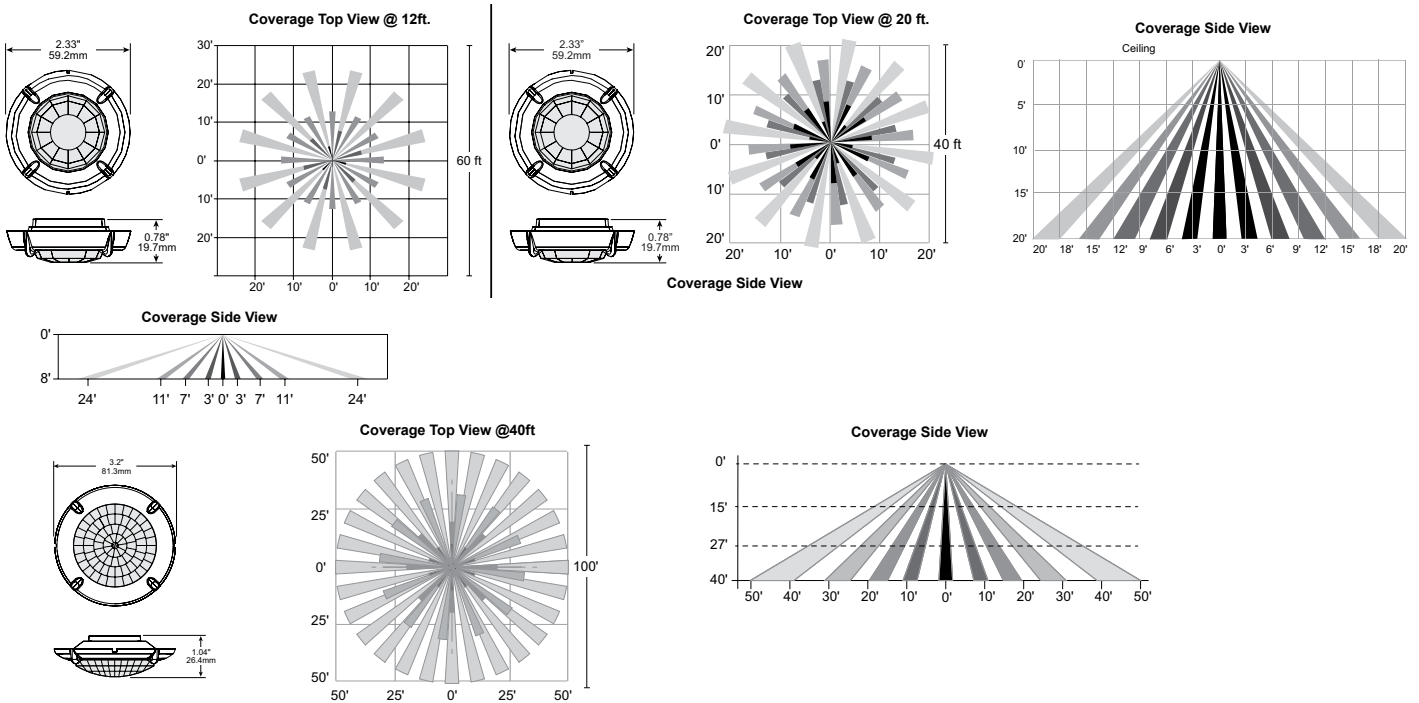
- 1 Only available with PT4 option.
- 2 Consult factory for custom color, and corrosive finish options

* PCA-C, PCA-T, EPA-C, EPA-T only available with PT4 option.

OUTDOOR LIGHTING CONTROLS OPTIONS CONTROLS FUNCTIONALITY

	Control Option Ordering Logic & Description	Control Option Functionality								Control Option Components	
		Networkable	Grouping	Scheduling	Occupancy/ Motion	Daylight Harvesting	0-10V Dimming	On/Off Control	Bluetooth App Programming		Sensor Height
Independent	SCP Sensor Control Programmable, 8F or 40F	-	-	-	✓	✓	✓	✓	-	8ft or 40ft	

COVERAGE PATTERNS FOR SCP



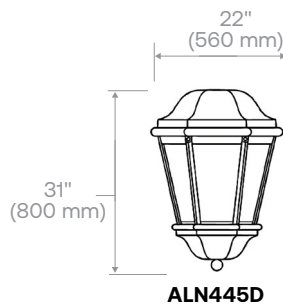
DELIVERED LUMENS

The table below shows the delivered lumens for the various lumen outputs and beam distributions. Use this chart in connection with the lumen factor (LF) capability to deliver any output required.

LUMINAIRE PERFORMANCE – CLEAR LENS

LED #	Drive Current	Lumen Package	Lens	Distribution	3000K 70CRI				4000K 70CRI				5000K 70CRI						
					Lumen	Bug Rating			Efficacy (Lm/W)	Lumen	Bug Rating			Efficacy (Lm/W)	Lumen	Bug Rating			Efficacy (Lm/W)
						B	U	G			B	U	G			B	U	G	
32	700	5,000	Clear	Y2	4016	1	3	2	54	5156	2	2	3	69	5427	2	3	3	72
				Y3	3875	1	3	2	52	4975	2	3	2	66	5237	2	3	2	70
				Y4	4245	1	3	2	57	5449	1	3	3	73	5736	1	3	3	76
				Y5	3809	2	3	2	51	4945	3	3	2	66	5183	3	3	3	69
			LDL	Y2	3818	1	3	3	51	4902	2	4	3	65	5160	2	4	3	69
				Y3	3674	1	3	3	49	4716	1	4	3	63	4964	1	4	3	66
				Y4	4032	1	4	3	54	5176	1	4	3	69	5449	1	4	3	73
			SDL	Y5	3610	2	3	3	48	4685	2	4	3	62	4901	2	4	3	65
				Y2	3499	1	4	3	47	4492	1	4	3	60	4729	2	4	3	63
				Y3	3370	1	4	2	45	4327	1	4	3	58	4554	1	4	3	61
				Y4	3703	1	4	3	49	4754	1	4	3	63	5004	1	4	3	67
				Y5	3310	1	4	2	44	4292	2	4	3	57	4499	2	4	3	60

DIMENSIONS



PHOTOMETRY

ALN445-Y3-32LED-5K7-700

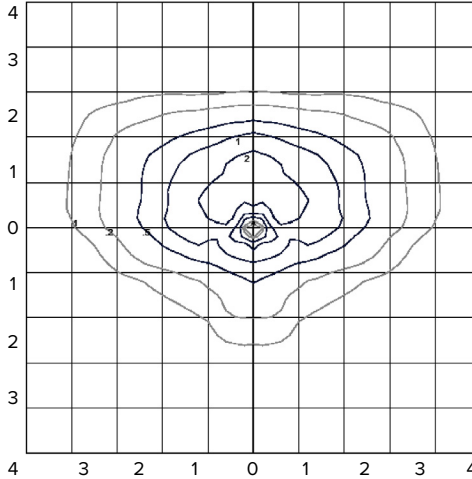
LUMINAIRE DATA

Description	5000 Kelvin, 70CRI
Delivered Lumens	5237
Watts	75
Efficacy	70
IES Type	III
BUG Rating	B2-U3-G2
Mounting Height	14 ft
Grid Scale	14 ft

ZONAL LUMEN SUMMARY

Forward Light			Lumen
FL	30°	2.4%	124.3%
FM	60°	34.5%	1804.4%
FH	80°	291%	1523.6%
FVH	90°	3.1%	163.2%
Back Light			
BL	30°	1.7%	90.7%
BM	60°	12.1%	631.5%
BH	80°	11.1%	582.8%
BVH	90°	2.5%	133.1%
Uplight			
UL	100°	1.0%	54.3%
UH	180°	2.5%	129.2%

ISOFOOT CANDLE PLOT



14' Mounting Height

ALN445-Y5-32LED-5K7-700

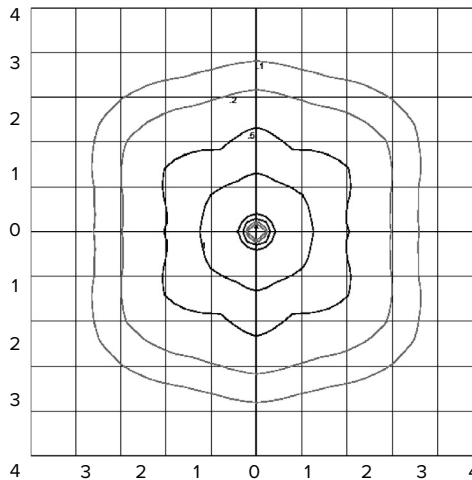
LUMINAIRE DATA

Description	5000 Kelvin, 70CRI
Delivered Lumens	5183
Watts	74.9
Efficacy	69
IES Type	V
BUG Rating	B3-U3-G3
Mounting Height	14 ft
Grid Scale	14 ft

ZONAL LUMEN SUMMARY

Forward Light			Lumen
FL	30°	1.9%	96.7%
FM	60°	16.2%	839.4%
FH	80°	25.8%	1336.3%
FVH	90°	4.4%	228.3%
Back Light			
BL	30°	1.9%	96.7%
BM	60°	16.2%	839.4%
BH	80°	25.8%	1336.3%
BVH	90°	4.4%	228.3%
Uplight			
UL	100°	1.6%	82.2%
UH	180°	1.9%	99.0%

ISOFOOT CANDLE PLOT



14' Mounting Height

ELECTRICAL DATA

TM-21 LIFETIME CALCULATION - PROJECTED LUMEN MAINTENANCE (25°C / 77°C)						
HOURS	0	25,000	50,000	TM-21-11 60,000	100,000	REPORTED L70
Projected Lumen Maintenance	100%	95.0%	93%	92%	89%	> 60,000