

AAL Poles

SPECIFICATIONS

CONSTRUCTION

- Base shall be cast aluminum #356 alloy, free of any porosity, foreign materials, or cosmetic fillers. Base casting shall be heat treated to a T-6 condition, and of uniform wall thickness, with no warping or mold shifting

WARNINGS

- Caution must be exercised in the selection of a design wind speed when the pole is to be installed in a special wind region (as indicated by the wind map) or in an area where wind speed is unpredictable
- AAL recommends consulting a local engineer when the pole is to be installed in an area that may be subject to extreme weather and exposure
- Poles installed on structures such as buildings and bridges may be subjected to vibration, oscillations, and other fatigue effects which are not covered by the AAL warranty
- The use of banners or other appendages can severely affect the loading of a pole. No banner or other appendage should be attached to an AAL pole unless approved by AAL
- If the products are to be used on an existing foundation or on other structures, the customer assumes all responsibility for the structural integrity of the existing foundation, anchorage or structures and all the consequences arising there from



CAUTION

- Poles should never be erected without the luminaire installed
- Anchor bolts shall be hot dip galvanized steel. Six galvanized hex nuts and flat washers, and a bolt circle template shall be provided. Anchor bolts for poles 14 feet high or less are 3/4" x 24" x 3". Anchor bolt for poles more than 14 feet high are 1"x 36" x 4"

CERTIFICATION

Certified UL 1598 in accordance with Article 410 of ANSI/NFPA 70, National Electrical Code

ORDERING GUIDE

Example: DB2-5R12-188-BLS-FS1

CATALOG #

POLE

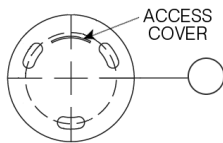
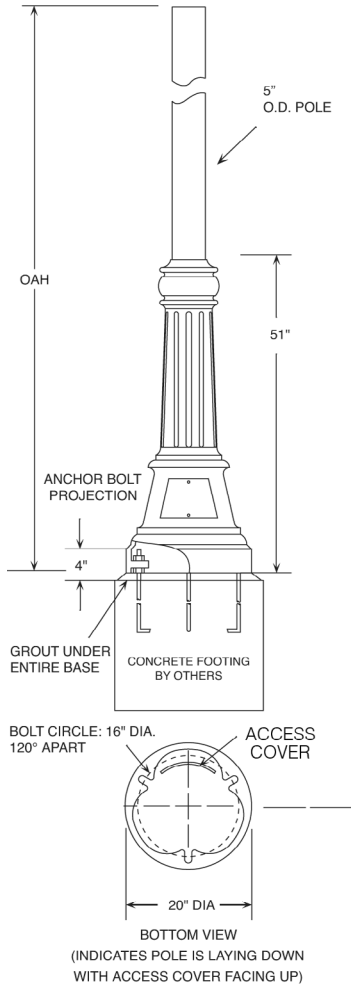
Base	Pole ¹	Finish	Options	
DB2 5" Round Pole	Round Poles	BLS Black Gloss Smooth	TEN Tenon, 2 3/8" Ø x 4"H	
	5R12-188 5R12-188	BLT Black Matte Textured	TEN3 Tenon, 3" Ø x 3"H	
	5R14-188 5R14-188	DBS Dark Bronze Gloss Smooth	1A Single Side Arm	
	5R16-188 5R16-188	DBT Dark Bronze Matte Textured	2B Double Side Arm	
	5R18-188 5R18-188	GTT Graphite Matte Textured	PTF Post Top Fixture	
	5R20-188 5R20-188	LGS Light Grey Gloss Smooth	PTA Post Top Arm	
	5R22-188 5R22-188	LGT Light Grey Matte Textured	PTAD Post Top Adaptor	
	5R24-188 5R24-188	PSS Platinum Silver Gloss Smooth	ND No Drilling	
	5R25-188 5R25-188	VGT Verde Green Matte Textured	PCR Low profile twist lock photocell receptacle with cast pole cap top. Secures to the top of the pole with three stainless steel set screws. Photocell by others.	
	5R14-250 5R14-250	WHS White Gloss Smooth	RBC Cast aluminum receptacle housing, integrally welded to the pole. Includes a NEC approved clear weather proof cover. Does 610mm"24.0140mm"5.50hole Hand RBC top of pole location standard 83mm "3.2564mm "2.50 not include a receptacle or internal wiring	
	5R16-250 5R16-250	WHT White Matte Textured		
	5R18-250 5R18-250	Color Option		
	5R20-250 5R20-250	CC Custom Color ²		
	5R22-250 5R22-250			
	5R24-250 5R24-250			
	5R25-250 5R25-250			
	Fluted Poles			GFI Ground Fault Interrupter. Wet location receptacle. Standard location is 24" down from top of pole, In-line with hand hole
	5F14-188 5F14-188			
	5F16-188 5F16-188			
	5F18-188 5F18-188			
	5F20-188 5F20-188			
	5F22-188 5F22-188			
	5F24-188 5F24-188			
	5F25-188 5F25-188			

Notes:

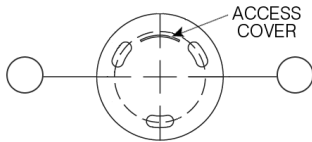
- 1 Consult Maximum Allowable EPA (MPH) chart on page 2
- 2 Consult factory for custom color, marine and corrosive finish

DIMENSIONS

PRODUCT EXCEPTIONS & DETAILS



SINGLE FIXTURE MOUNTING ORIENTATION
BOTTOM VIEW
(INDICATES POLE IS LAYING DOWN WITH ACCESS COVER FACING UP)



DOUBLE FIXTURE MOUNTING ORIENTATION
BOTTOM VIEW
(INDICATES POLE IS LAYING DOWN WITH ACCESS COVER FACING UP)

MAXIMUM ALLOWABLE EPA (MPH)

1. BASE	2. POLE	3. OAH	SHAFT	WT	MAXIMUM ALLOWABLE EPA (MPH)									
					85	90	100	110	120	130	140	150		
DB2	5R12-188	12' (3.7m)	5" RD x .188"	116	32.3	28.5	22.7	18.6	15.5	13.1	11.2	9.6		
DB2	5R14-188	14' (4.3m)	5" RD x .188"	116	32.3	28.5	22.7	18.6	15.5	13.1	11.2	9.6		
DB2	5R16-188	16' (4.9m)	5" RD x .188"	123	27.3	23.9	19.0	15.5	12.8	10.8	9.2	7.9		
DB2	5R18-188	18' (5.5m)	5" RD x .188"	129	22.8	19.8	15.6	12.7	10.5	8.8	7.4	6.4		
DB2	5R20-188	20' (6.2m)	5" RD x .188"	136	18.9	16.4	12.8	10.3	8.5	7.0	5.9	5.0		
DB2	5R22-188	22' (6.8m)	5" RD x .188"	142	15.8	13.5	10.4	8.3	6.8	5.6	4.7	3.9		
DB2	5R24-188	24' (7.4m)	5" RD x .188"	148	13.1	11.1	8.4	6.6	5.3	4.3	3.6	3.0		
DB2	5R25-188	25' (7.7m)	5" RD x .188"	151	11.9	10.0	7.5	5.9	4.7	3.8	3.1	2.5		
DB2	5R14-250	14' (4.3m)	5" RD x .250"	132	35.7	31.5	25.2	20.6	17.2	14.5	12.4	10.7		
DB2	5R16-250	16' (4.9m)	5" RD x .250"	140	30.5	26.8	21.3	17.4	14.5	12.2	10.4	9.0		
DB2	5R18-250	18' (5.5m)	5" RD x .250"	150	25.8	22.5	17.8	14.5	12.0	10.1	8.6	7.3		
DB2	5R20-250	20' (6.2m)	5" RD x .250"	158	21.8	18.9	14.8	12.0	9.9	8.3	7.0	6.0		
DB2	5R22-250	22' (6.8m)	5" RD x .250"	167	18.5	15.9	12.4	9.9	8.1	6.7	5.7	4.8		
DB2	5R24-250	24' (7.4m)	5" RD x .250"	176	15.7	13.4	10.3	8.2	6.6	5.5	4.5	3.8		
DB2	5R25-250	25' (7.7m)	5" RD x .250"	180	14.5	12.3	9.3	7.4	6.0	4.9	4.0	3.4		
DB2	5F14-188	14' (4.3m)	5" FL x .188"	116	21.4	18.7	14.8	12.1	10.0	8.2	6.9	5.8		
DB2	5F16-188	16' (4.9m)	5" FL x .188"	123	17.8	15.5	12.1	9.8	8.0	6.6	5.4	4.5		
DB2	5F18-188	18' (5.5m)	5" FL x .188"	129	14.5	12.5	9.7	7.8	6.3	5.1	4.1	3.3		
DB2	5F20-188	20' (6.2m)	5" FL x .188"	136	11.8	10.0	7.6	6.1	4.8	3.7	3.0	2.3		
DB2	5F22-188	22' (6.8m)	5" FL x .188"	142	9.4	7.9	5.8	4.6	3.9	2.6	2.0	1.4		
DB2	5F24-188	24' (7.4m)	5" FL x .188"	148	7.4	6.1	4.3	3.3	2.4	1.7	1.1	0.6		
DB2	5F25-188	25' (7.7m)	5" FL x .188"	151	6.6	5.2	3.6	2.7	1.9	1.2	0.7	0.3		

Note: Overall height is measured to top of pole.