

# AAL Poles



## SPECIFICATIONS

### CONSTRUCTION

- Base shall be cast aluminum #356 alloy, free of any porosity, foreign materials, or cosmetic fillers. Base casting shall be heat treated to a T-6 condition, and of uniform wall thickness, with no warping or mold shifting

### WARNINGS

- Caution must be exercised in the selection of a design wind speed when the pole is to be installed in a special wind region (as indicated by the wind map) or in an area where wind speed is unpredictable
- AAL recommends consulting a local engineer when the pole is to be installed in an area that may be subject to extreme weather and exposure
- Poles installed on structures such as buildings and bridges may be subjected to vibration, oscillations, and other fatigue effects which are not covered by the AAL warranty
- The use of banners or other appendages can severely affect the loading of a pole. No banner or other appendage should be attached to an AAL pole unless approved by AAL
- If the products are to be used on an existing foundation or on other structures, the customer assumes all responsibility for the structural integrity of the existing foundation, anchorage or structures and all the consequences arising there from

### CAUTION

- Poles should never be erected without the luminaire installed
- Anchor bolts shall be hot dip galvanized steel. Eight galvanized hex nuts and flat washers, and a bolt circle template shall be provided. Anchor bolt for poles are 3/4" x 24" x 3"

### CERTIFICATION

- Certified UL 1598 in accordance with Article 410 of ANSI/NFPA 70, National Electrical Code

## ORDERING GUIDE

Example: DB6-4R12-125-12'-BLS-FS1

CATALOG #

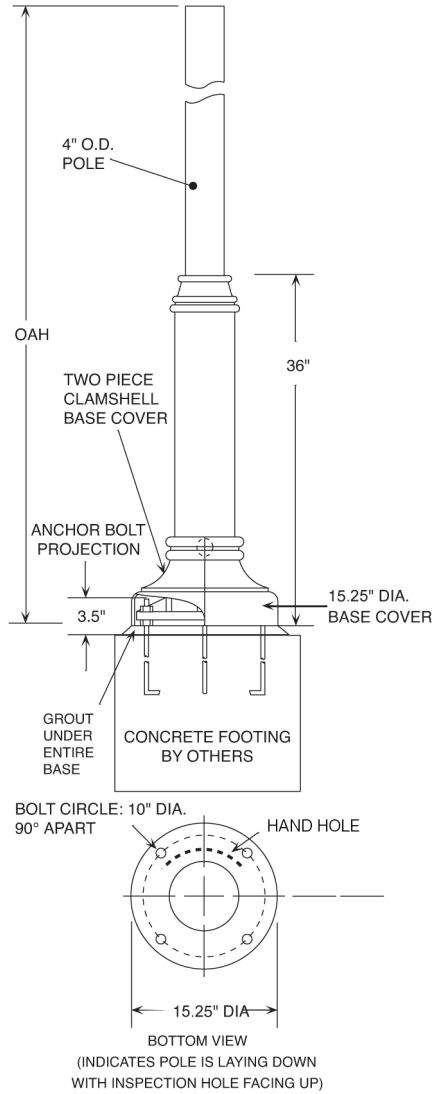
### POLE

Base	Pole <sup>1</sup>	Finish	Options
DB6 4" Round Fluted Pole	<b>ROUN</b>	<b>BLS</b> Black Gloss Smooth	<b>TEN</b> Tenon, 2 3/8" Ø x 4"H
	<b>4R10-125</b> 4R10-125	<b>BLT</b> Black Matte Textured	<b>TEN3</b> Tenon, 3" Ø x 3"H
	<b>4R12-125</b> 4R12-125	<b>DBS</b> Dark Bronze Gloss Smooth	<b>1A</b> Single Side Arm
	<b>4R14-125</b> 4R14-125	<b>DBT</b> Dark Bronze Matte Textured	<b>2B</b> Double Side Arm
	<b>4R16-125</b> 4R16-125	<b>GTT</b> Graphite Matte Textured	<b>PTF</b> Post Top Fixture
		<b>LGS</b> Light Grey Gloss Smooth	<b>PTA</b> Post Top Arm
	<b>FLUTED POLE 4"</b>	<b>LGT</b> Light Grey Matte Textured	<b>PTAD</b> Post Top Adaptor
	<b>4F10-188</b> 4F10-188	<b>PSS</b> Platinum Silver Gloss Smooth	<b>ND</b> No Drilling
	<b>4F12-188</b> 4F12-188	<b>VGT</b> Verde Green Matte Textured	<b>PCR</b> Low profile twist lock photocell receptacle with cast pole cap top. Secures to the top of the pole with three stainless steel set screws. Photocell by others.
	<b>4F14-188</b> 4F14-188	<b>WHS</b> White Gloss Smooth	<b>RBC</b> Cast aluminum receptacle housing, integrally welded to the pole. Includes a NEC approved clear weather proof cover. Does 610mm"24.0140mm"5.50hole Hand RBCTop of polelocationstandard83mm "3.2564mm "2.50 not include a receptacle or internal wiring
	<b>4F16-188</b> 4F16-188	<b>WHT</b> White Matte Textured	
	<b>4R10-226</b> 4R10-226	<b>Color Option</b>	<b>GFI</b> Ground Fault Interrupter. Wet location receptacle. Standard location is 24" down from top of pole, In-line with hand hole
	<b>4R12-226</b> 4R12-226	<b>CC</b> Custom Color <sup>2</sup>	
	<b>4R14-226</b> 4R14-226		
	<b>4R16-226</b> 4R16-226		

Notes:

- 1 Consult Maximum Allowable EPA (MPH) chart on page 2
- 2 Consult factory for custom color, marine and corrosive finish

**DIMENSIONS**



**PRODUCT EXCEPTIONS & DETAILS**

1. BASE	2. POLE	3. OAH	SHAFT	MAXIMUM ALLOWABLE EPA (MPH)										
				WT	85	90	100	110	120	130	140	150		
DB6	4R10-125	10' (3.1m)	4" RD x .125"	50	19.4	17.1	13.5	10.8	8.9	7.4	6.3	5.5		
DB6	4R12-125	12' (3.7m)	4" RD x .125"	54	15.3	13.4	10.5	8.3	6.7	5.6	4.7	4.0		
DB6	4R14-125	14' (4.3m)	4" RD x .125"	57	12.3	10.7	8.2	6.3	5.0	4.1	3.4	2.9		
DB6	4R16-125	16' (4.9m)	4" RD x .125"	61	10.0	8.6	6.4	4.8	3.6	2.9	2.4	2.0		
DB6	4F10-188	10' (3.1m)	4" FL x .188"	56	22.1	19.5	15.4	12.4	10.2	8.5	7.1	6.1		
DB6	4F12-188	12' (3.7m)	4" FL x .188"	62	17.6	15.4	12.1	9.6	7.7	6.4	5.3	4.4		
DB6	4F14-188	14' (4.3m)	4" FL x .188"	67	14.3	12.5	9.6	7.5	5.9	4.8	3.9	3.2		
DB6	4F16-188	16' (4.9m)	4" FL x .188"	72	11.7	10.1	7.6	5.8	4.4	3.5	2.7	2.2		
DB6	4R10-226	10' (3.1m)	4" RD x .226"	60	23.8	21.0	16.7	13.5	11.1	9.3	8.0	6.9		
DB6	4R12-226	12' (3.7m)	4" RD x .226"	66	19.2	16.9	13.3	10.6	8.6	7.2	6.1	5.3		
DB6	4R14-226	14' (4.3m)	4" RD x .226"	73	15.9	13.9	10.8	8.4	6.8	5.6	4.7	4.0		
DB6	4R16-226	16' (4.9m)	4" RD x .226"	79	12.4	12.3	9.4	7.3	5.7	4.7	4.0	3.3		

Note: Overall height is measured to top of pole.