

FEATURES

- Reliable, efficient operation
- Type 2, 3, 4, 5 distributions
- 3000K, 4000K, 5000K CCT
- 0-10V dimming ready
- Integral surge protection
- IP66



Federal Globe™



Federal Globe Large

SPECIFICATIONS

CONSTRUCTION

- Luminaire housings are cast aluminum, A356 alloy
- Outer lens are acrylic and sealed to the housing with a silicone gasket on the top and bottom.
- All internal and external hardware are stainless steel
- Finial and optional cast filigree basket are painted to match housing
- Luminaire finish shall consist of a five stage pretreatment regimen with a polymer primer sealer, oven dry off, and top coated with a thermoset super TGIC polyester powder coat finish.
- Luminaire finish shall meet the AAMA 2604-05 performance specification which includes passing a 3000 hour salt spray test for corrosion resistance

OPTICAL MODULE

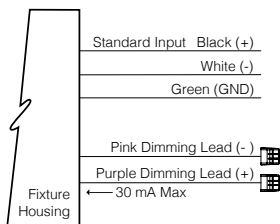
- Light emitting diode (LED) assembly are sealed to a die-cast anodized aluminum heat sink with an injection molded silicone rubber gasket and stainless steel bezel, IP66
- LED optics are injection molded PMMA acrylic and be mounted to a metal printed circuit board with a uniform conformal coating over the panel surface and electrical features

INSTALLATION

- The electrical assembly are mounted to a prewired internal service tray and accessed by releasing the service latch to allow the fixture to hinge open into a service position

ELECTRICAL

- Luminaires accept 120 thru 277 50/60Hz input voltage have integral surge protection and wire leads for controls.
- Drivers are U.L recognized, have a minimum starting temperature of -30°C and have a 0-10v dimming interface with a dimming range of 10- 100%.
- Drivers have a power factor ≥ 90 and THD of $\leq 20\%$ at full load with an inrush current maximum of < 20.0 Amps maximum at 230VAC
- Drivers are not be compatible with current sourcing dimmers, consult factory for current list of known compatible dimming systems



- Thermal shield is provided with all configurations for added protection in the event of abnormally excessively high ambient temperature conditions.
- Surge protector are U.L. recognized and have a surge current rating of 10,000 Amps using the industry standard 8/20uSec wave and surge rating of 372J

CONTROLS

- SCP shall have an integral surge protection device with a current rating of 10,000 Amps using the industry standard 8/20uSec wave and sure rating of 372J
- Sensor not intended for use with additional photo-control, wireless control or dimming systems

CERTIFICATIONS

- Luminaire shall be listed with ETL for outdoor, wet location use, UL1598, UL 8750 and Canadian CSA Std. C22.2 no.250

WARRANTY

- 5 year warranty

KEY DATA	
Lumen Range	3,215–5,343
Wattage Range	73
Efficacy Range (LPW)	44–63.8
Weight	31 lbs / 14.06 kg
EPA	1.47

DATE: _____ LOCATION: _____
 TYPE: _____ PROJECT: _____
 CATALOG #: _____

ORDERING GUIDE

Example: FGL-RB-Y3-36LED-4K-600-BLS-SCP-SF-PT3

CATALOG # _____

HOUSING

PKWS									
Luninaire	Fitter	Light Engine		Color Temperature	Lumen Package	Fixture Finish			Voltage
FGL Federal Globe (large scale)	RB Rib Fitter Design LF Leaf Fitter Design	Y2-36LED	Type II	3K 3000K, 70 CRI	600 73 watts	BLS	Black Gloss Smooth	Standard configuration are 120-277VAC input or may choose one 347 347VAC input 480 480VAC input	
		Y3-36LED	Type III	4K 4000K, 70 CRI		BLT	Black Matte Textured		
		Y4-36LED	Type IV	5K 5000K, 70 CRI		DBS	Dark Bronze Gloss Smooth		
		Y5-36LED	Type V			DBT	Dark Bronze Matte Textured		
						GTT	Graphite Matte Textured		
				LGS	Light Grey Gloss Smooth				
				LGT	Light Grey Matte Textured				
				PSS	Platinum Silver Gloss Smooth				
				VGT	Verde Green Matte Textured				
				WHS	White Gloss Smooth				
				WHT	White Matte Textured				
				Color Option					
					CC ¹	Custom Color			

Controls		Options		Mounting	
PHC	Integral photocell 2	ALF	Cast filigree basket for SLG	Standard configuration slips over a 5" / 127mm Ø top pole or may choose one	
SCP	Pole mounted occupancy sensor, 120-277VAC	SF	120, 277, 347 Line Volts	PT23	Slips over a 2 3/8"Ø Tenon
SCP-HV	Pole mounted occupancy sensor, 347/480VAC	DF	208, 240, 480 Line Volts	PT3	Slips over a 3"Ø Tenon
				PT4	Slips over a 4"Ø Tenon
				Pier Mount	
				PM1	PM1
				PM2	PM2
				PM3	PM3
				Arm Mount	
				TRA1M	TRA1M ¹
				TRA1L	TRA1L ¹
				TRA5U	TRA5U ¹
				TRA6U	TRA6U ¹
				TRA55	TRA55 ¹
				TRA56	TRA56
				TRA57	TRA57 ¹
				Wall Mount	
				WMA1M	WMA1M
				WMA1L	WMA1L
				WMA35U	WMA35U
				WMA36U	WMA36U
				WMA55	WMA55
				WMA56	WMA56
				WMA57	WMA57

Notes:
 1 Specify 4" or 5" pole
 2 Specify 120/208/240/277 voltage input
 3 Consult factory for custom color, marine and corrosive finish options

DELIVERED LUMENS

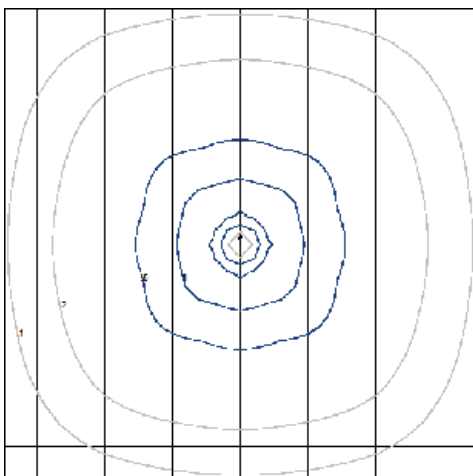
PERFORMANCE DATA (36 LEADS, 600 mA DRIVE CURRENT, 73 WATTS)

Type	Distribution	3000K 70CRI					4000K 70CRI					5000K 70CRI					Amps @ 120VAC	Amps @ 277VAC
		Lumen	Bug Rating			Efficacy (Lm/W)	Lumen	Bug Rating			Efficacy (Lm/W)	Lumen	Bug Rating			Efficacy (Lm/W)		
			B	U	G			B	U	G			B	U	G			
Type 2	SAL	3601	1	4	2	49.3	4654	2	4	2	63.8	5343	2	4	2	49.3	.6	.3
Type 3		3236	1	4	2	44.3	4182	1	4	2	57.3	4801	1	4	2	44.3		
Type 4	SLG	3527	1	4	2	48.3	4558	1	4	2	62.4	5233	1	4	2	48.3		
Type 5		3215	2	4	2	44.0	4155	2	4	2	56.9	4740	2	4	2	44.0		

	3K	4K	5K
CCT Average	3000K	4200K	5100K
CCT Range	2800K - 3175K	3800K - 4600K	4600K - 5600K
CRI Minimum	≤70	≤70	≤80

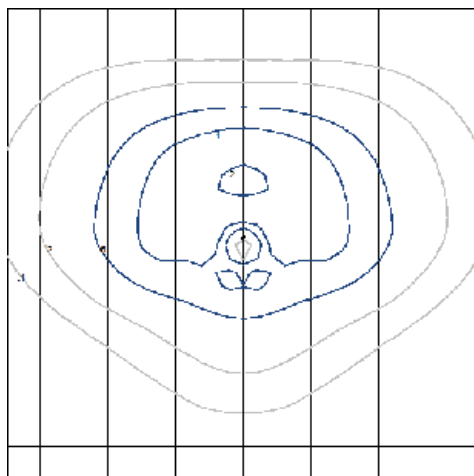
ISOLINE TEMPLATE

FGL-LK-SLG-Y5-36LED-5K-600



10' MOUNTING HEIGHT

FGL-LK-SLG-Y3-36LED-5K-600



10' MOUNTING HEIGHT

TM-21 LIFETIME CALCULATION

Ambient Temp.	0	25,000	50,000	TM-21-11 60,000	100,000	Reported L70 (HRS)
25°C/77°F	100%	96%	95%	94%	91%	>60Khrs.
40°C/104°F	100%	95%	92%	91%	86%	

DIMENSIONS

