

FEATURES

- Reliable, efficient operation
- Type 2, 3, 4, 5 distributions
- 3000K, 4000K, 5000K CCT
- 0-10V dimming ready
- Integral surge protection
- Scaled family members



Federal Globe™



Federal Globe Small

SPECIFICATIONS

CONSTRUCTION

- Luminaire housings are cast aluminum, A356 alloy
- Outer lens are acrylic and sealed to the housing with a silicone gasket on the top and bottom
- All internal and external hardware are stainless steel
- Finial and optional cast filigree basket are painted to match housing
- Luminaire finish shall consist of a five stage pretreatment regimen with a polymer primer sealer, oven dry off, and top coated with a thermoset super TGIC polyester powder coat finish
- Luminaire finish shall meet the AAMA 2604-05 performance specification which includes passing a 3000 hour salt spray test for corrosion resistance

OPTICAL MODULE

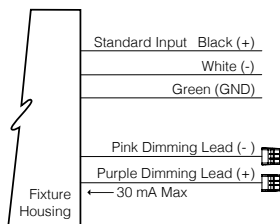
- Light emitting diode (LED) assembly are sealed to a die-cast anodized aluminum heat sink with an injection molded silicone rubber gasket and stainless steel bezel, IP66
- LED optics are injection molded PMMA acrylic and be mounted to a metal printed circuit board with a uniform conformal coating over the panel surface and electrical features

INSTALLATION

- The electrical assembly are mounted to a prewired internal service tray and accessed by releasing the service latch to allow the fixture to hinge open into a service position

ELECTRICAL

- Luminaires accept 120 thru 277 50/60Hz input voltage have integral surge protection and wire leads for controls
- Drivers are U.L recognized, have a minimum starting temperature of -30°C and have a 0-10v dimming interface with a dimming range of 10- 100%
- Drivers have a power factor ≥ 0.90 and THD of $\leq 20\%$ at full load with an inrush current maximum of < 20.0 Amps maximum at 230VAC
- Drivers are not be compatible with current sourcing dimmers, consult factory for current list of known compatible dimming systems



- Thermal shield is provided with all configurations for added protection in the event of abnormally excessively high ambient temperature conditions
- Surge protector are U.L. recognized and have a surge current rating of 10,000 Amps using the industry standard 8/20uSec wave and surge rating of 372J

CONTROLS

- SCP shall have an integral surge protection device with a current rating of 10,000 Amps using the industry standard 8/20uSec wave and surge rating of 372J
- Sensor not intended for use with additional photo-control, wireless control or dimming systems

CERTIFICATIONS

- Luminaire shall be listed with ETL for outdoor, wet location use, UL1598, UL 8750 and Canadian CSA Std. C22.2 no.250

WARRANTY

- 5 year warranty

KEY DATA	
Lumen Range	4,478–5,183
Wattage Range	53
Efficacy Range (LPW)	61–71
Weight	22 lbs / 14.06 kg
EPA	1.19

ORDERING GUIDE

Example: FGS-RB-Y3-36LED-4K-450-BLS-SCP-TRA1M

CATALOG #

HOUSING

FGS									
Luninaire	Decorative Style	Globe Style	Optical System	Color Temperature	Driver	Color			
FGS Federal Globe (Small scale housing - LED) Slips over a 4"/100mm O.D. pole	RB Rib Fitter Design	Standard Acorn Globe	Y2-36LED Type II	3K Warm White, 3000K, 70 CRI	450 450mA drive current, 53 watts	BLS Black Gloss Smooth			
	LF Leaf Fitter Design	SAL One-piece globe	Y3-36LED Type III	4K Neutral White, 4000K, 70 CRI		BLT Black Matte Textured			
			Y4-36LED Type IV	5K Bright White, 5000K, 70 CRI		DBS Dark Bronze Gloss Smooth			
			Y5-36LED Type V			DBT Dark Bronze Matte Textured			
						GTT Graphite Matte Textured			
			LGS Light Grey Gloss Smooth						
			LGT Light Grey Matte Textured						
			PSS Platinum Silver Gloss Smooth						
			VGT Verde Green Matte Textured						
			WHS White Gloss Smooth						
			WHT White Matte Textured						
			Color Option						
			CC ¹ Custom Color						

Options	Mounting (Optional)
FS1 Single fuse holder, fuse by others	Pole Mount
FS2 Double fuse holder, fuse by others	Bolts to the side of a 4"/100mm DIA. or 5"/125mm DIA. pole
TA3 Tenon adaptor slips over a 3"/75 mm O.D. by 4"/100 mm tenon	TRA1M TRA1M
AD5 Adaptor to slip over a 5"/125mm O.D. pole and is 4"/100mm long. Secures to the pole with four stainless steel set screws	TRA1L TRA1L
TA23 Tenon adaptor, slips over a 2 3/8" O.D. by 4"/100mm tenon	TRA5U TRA5U
ALF Cast filigree basket	TRA6U TRA6U
PHC Integral button type photo control sensor. Specify line voltage 120/277V	TRA55 TRA55
347 347VAC input	TRA56 TRA56 (4" only)
480 480VAC input	TRA57 TRA57
SCP Sensor Control Programmable pole accessory is available to provide occupancy detection for outdoor applications meeting California Title 24	Wall Mount
	WMA1M WMA1M
	WMA1L WMA1L
	WMA3 WMA3
	WMA35U WMA35U
	WMA36U WMA36U
	WMA55 WMA55
	WMA56 WMA56
	WMA57 WMA57
	Pier Mount
	PM1 PM1
	PM2 PM2
	PM3 PM3

Notes:

1 Consult factory for custom color, marine and corrosive finish options

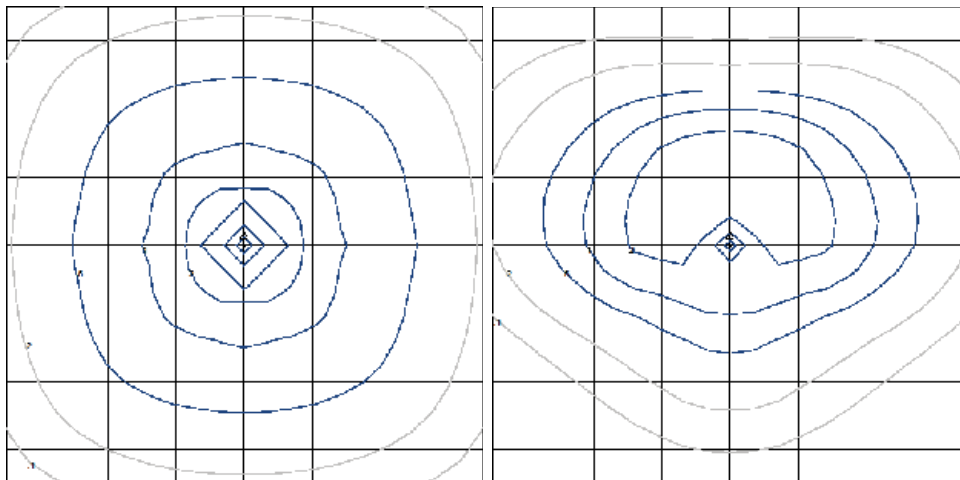
DELIVERED LUMENS

PERFORMANCE DATA (36 LEDs, 600 mA DRIVE CURRENT, 73 WATTS)

Type	Distribution	3000K 70CRI					4000K 70CRI					5000K 70CRI					Drive Current	System Watts
		Lumen	Bug Rating			Efficacy (Lm/W)	Lumen	Bug Rating			Efficacy (Lm/W)	Lumen	Bug Rating			Efficacy (Lm/W)		
			B	U	G			B	U	G			B	U	G			
Type 2	SAL	4997	2	4	3	68	5125	2	4	3	70	5183	2	4	3	71	45	53
Type 3		4499	1	4	2	62	4615	1	4	2	63	4667	1	4	2	64		
Type 4		4900	1	4	3	67	5026	1	4	2	69	5083	1	4	2	70		
Type 5		4478	2	4	2	61	4593	3	4	2	63	4645	3	4	2	64		

	3K	4K	5K
CCT Average	3000K	4200K	5100K
CCT Range	2800K - 3175K	3800K - 4600K	4600K - 5600K
CRI Minimum	≤80	≤70	≤70

ISOLINE TEMPLATE



TM-21 LIFETIME CALCULATION

Ambient Temp.	0	25,000	50,000	TM-21-11 60,000	100,000	Reported L70 (HRS)
25°C/77°F	100%	97%	96%	95%	93%	>60Khrs.
40°C/104°F	100%	95%	93%	92%	89%	

DIMENSIONS

