

DATE:	LOCATION:
TYPE:	PROJECT:
CATALOG #:	

Federal Globe™



Federal Globe Small

FEATURES

- Reliable, uniform, glare free illumination
- Type 2, 3, 4, 5 distributions
- 3000K, 4000K, 5000K CCT
- Integral surge suppression
- IP66



SPECIFICATIONS

OPTICAL MODULE

- Light emitting diode (LED) assembly shall be sealed to a die-cast anodized aluminum heat sink with an injection molded silicone rubber gasket and stainless steel bezel, IP66.
- LED optics shall be injection molded PMMA acrylic and be mounted to a metal printed circuit board with a uniform conformal coating over the panel surface and electrical features

INSTALLATION

- The electrical assembly shall be mounted to a prewired internal service tray and accessed by releasing the service latch to allow the fixture to hinge open into a service position

ELECTRICAL

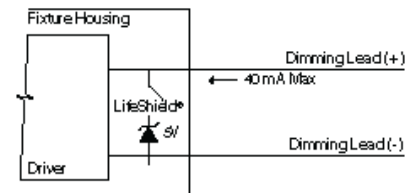
- Upgrade kits shall accept 120 thru 277 50/60Hz input voltage have integral surge protection
- Existing luminaires may not have 0-10V control leads in place prior to the upgrade kit, consult factory for dimming and control solutions

ELECTRICAL (CONTINUED)

- Drivers shall be U.L recognized, have a minimum starting temperature of -30°C and have a 0-10v dimming interface with a dimming range of 10- 100%
- Drivers shall have a power factor ≥.90 and THD of ≤20% at full load with an inrush current maximum of <20.0 Amps maximum at 230VAC
- Drivers shall not be compatible with current sourcing dimmers, consult factory for current list of known compatible dimming systems
- Approved dimmers include Lutron Diva AVTV, Lutron Nova NFTV and NTFTV
- LifeShield™ shall be provided with all configurations for added protection in the event of abnormally excessively high ambient temperature conditions

ELECTRICAL (CONTINUED)

- Surge protector shall be U.L. recognized and have a surge current rating of 10,000 Amps using the industry standard 8/20uSec wave and surge rating of 372J



Fixture Equivalent Circuit

CERTIFICATIONS

- Upgrade kits shall be listed with ETL for outdoor, wet location use, UL1598, UL 8750 and Canadian CSA Std. C22.2 no.250
- IP66

WARRANTY

- 5 year warranty

ORDERING GUIDE

Example: FGS-SAL-Y2-36LED-4K-450-347

CATALOG #

Upgrade Kits	Globe Style	Optical System	Color Temperature	Driver	Options
FGS-LK Compatible with Federal Globe™ large scale HID luminaire	Standard Lens Globe	Y2-36LED Type 2	3K Warm White, 3000K output	120 thru 277 volt	347 347VAC input
	SAL One-piece globe	Y3-36LED Type 3	4K Neutral White, 4000K output	450 450mA drive current, 53 watts	480 480VAC input
		Y4-36LED Type 4	5K Bright White, 5000K output		
		Y5-36LED Type 5			

DELIVERED LUMENS

PERFORMANCE DATA (36 LEDs, 450 mA DRIVE CURRENT, 53 WATTS)

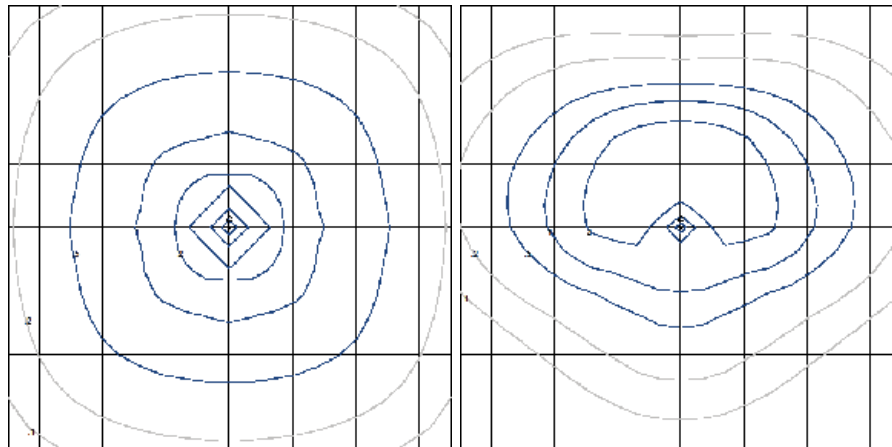
Type	Distribution	3000K 70CRI					4000K 70CRI					5000K 70CRI					Amps @ 120VAC	Amps @ 277VAC
		Lumen	Bug Rating			Efficacy (Lm/W)	Lumen	Bug Rating			Efficacy (Lm/W)	Lumen	Bug Rating			Efficacy (Lm/W)		
			B	U	G			B	U	G			B	U	G			
Type 2	SLG SAL	3227	1	3	2	60.9	4201	2	4	2	79.3	4712	2	4	2	88.9	.4	.2
Type 3		2905	1	3	1	54.8	3782	1	4	2	71.4	4243	1	4	2	80.1		
Type 4		3164	1	3	2	59.7	4119	1	4	2	77.7	4621	1	4	2	87.2		
Type 5		2891	2	3	2	54.6	3764	2	3	2	71.0	4223	2	4	2	79.7		

	3K	4K	5K
CCT Average	3000K	4200K	5100K
CCT Range	2800K - 3175K	3800K - 4600K	4600K - 5600K
CRI Minimum	≤80	≤70	≤80

ISOLINE TEMPLATE

FGS-RB-SLG-Y5-36LED-5K-450

FGS-RB-SLG-Y3-36LED-5K-450



10' MOUNTING HEIGHT

10' MOUNTING HEIGHT

TM-21 LIFETIME CALCULATION

Ambient Temp.	0	25,000	50,000	TM-21-11 60,000	100,000	Reported L70 (HRS)
25°C/77°F	100%	97%	96%	95%	93%	>60Khrs.
40°C/104°F	100%	95%	93%	92%	89%	

DIMENSIONS

