

DATE:	LOCATION:
TYPE:	PROJECT:
CATALOG #:	

FEATURES

- Reliable, uniform, glare free illumination
- Type 1, 2, 3, 4W, 5Q, and 5W distributions
- 3000K, 4000K, 5000K CCT
- 0-10V dimming ready
- Integral surge suppression
- 15 standard powder coat finishes
- Upgrade Kits

FLEX®



SPECIFICATIONS

CONSTRUCTION

- All housing components aluminum 360 alloy, sealed with continuous silicone rubber gaskets
- Standard configurations do not require a flat lens, optional lenses is tempered glass
- All internal and external hardware is stainless steel
- Finish: fade and abrasion resistant, electrostatically applied, thermally cured, triglycidal isocyanurate (TGIC) polyester powdercoat
- Optical bezel finish to match the luminaire housing

LED/OPTICS

- Optical cartridge system consisting of a die cast heat sink, LED engine, TIR optics, gasket and bezel plate.
- Cartridge is easily disassembled to replace components. Optics are held in place without the use of adhesives.
- Molded silicone gasket ensures a weather-proof seal around each individual LED.
- Features revolutionary individual LED optical control based on high performance TIR optical designs.
- House Side Shield is available on Standard and Clear Lens options except any Type 5 distribution. House Side Shield is not available for any distribution using a Diffused Lens.

INSTALLATION

- Fixtures must be grounded in accordance with national, state and/or local electrical codes. Failure to do so may result in serious personal injury.

ELECTRICAL

- Luminaires have integral surge protection, UL recognized and have a surge current rating of 10,000 Amps using the industry standard 8/20uSec wave and surge rating of 372J
- Drivers are UL recognized with an inrush current maximum of <20.0 Amps maximum at 230VAC
- Dimming range from 10% to 100% through the use of standard 0-10V interface on the programmable drive
- Driver and surge suppressor are mounted to a prewired tray with quick disconnects that may be removed from the gear compartment

CONTROLS

- Photocell is factory installed on top of the arm casting, features a stem and swivel mounting for aiming, will provide dusk-to-dawn lighting control. For multiple fixture mountings, each fixture is supplied with an individual photocell

CERTIFICATIONS

- ETL listed under UL 1598 and CSA C22.2 No. 250.0-08 for wet locations
- IDA approved, 3000K and warmer CCTs only
- This product qualifies as a “designated country construction material” per FAR 52.225-11 Buy American-Construction Materials under Trade Agreements effective 6/06/2020.
- **WARRANTY**
- 5 year warranty

KEY DATA	
LUMEN RANGE	4,268–19,395
WATTAGE RANGE	66–156
EFFICACY RANGE (LPW)	58–138.3
INPUT CURRENT RANGE (mA)	300/385/495/ 600/700 mA
WEIGHT	lbs / kg
EPA	

ORDERING GUIDE

Example: FLEX2-72L-385-3K7-3-BLT-SF-HS-SS4-UNV

CATALOG #

HOUSING

FLEX2		Housing		Engine		CCT/CRI		Distribution		Optional Lens		Optional Shield		Finish		Optional Controls	
FLEX2	Flex 2.0	72L-300	450mA Microcore Crossover	AMB	Amber-595nm Peak ¹	1	Type I	Blank	No Lens	HS	House Side Shield	BLS	Black Gloss Smooth	LPC12	Photocell with adjustable swivel (120 volt)		
		72L-385	9,600lm	27K8	2700K, 80 CRI	2	Type II	CL	Clear Lens			BLT	Black Matte Textured				
		72L-495	700mA Microcore Crossover	3K7	3000K, 70 CRI	3	Type III	DL	Diffused Lens ²			DBS	Dark Bronze Gloss Smooth	LPC27	Photocell with adjustable swivel (208/240/277 volt)		
		72L-600	15,000lm	4K7	4000K, 70 CRI	4W	Type IV Wide					DBT	Dark Bronze Matte Textured				
		72L-700	17,600lm	5K7	5000K, 70 CRI	5Q	Type V Square					GTT	Graphite Matte Textured				
						5W	Type V Wide					PSS	Platinum Silver Smooth				
												VGT	Verde Green Textured				
												WHS	White Gloss Smooth				
												WHT	White Matte Textured				
												CC	Custom Color ³				

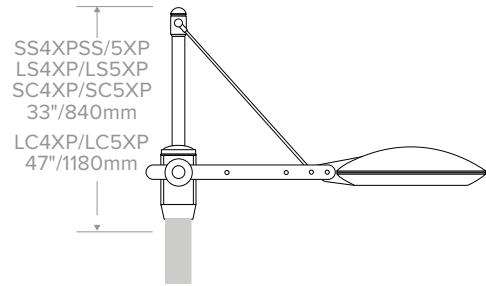
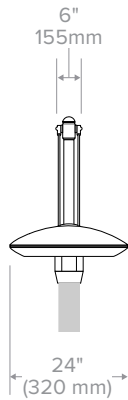
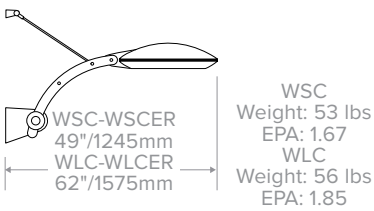
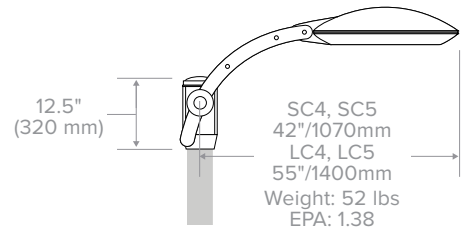
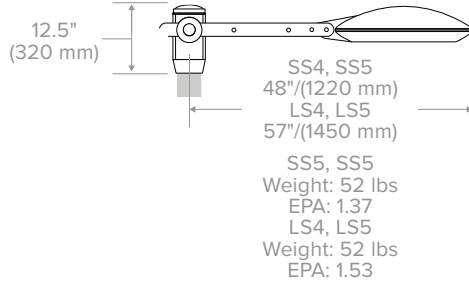
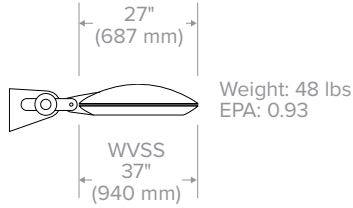
Optional Fusing	Mounting Options		Voltage	
SF Single Fuse (120, 277, 347)	Post Mount	Post Mount	Post Mount	UNV 120-277V
DF Double Fuse (208, 240, 480)	Fixed Arms	Long Straight Arms with Extension - Slips over a 5"/127mm pole	Long Curved Arms - Slips over a 5"/127mm pole	347 347V
	FA4 Attaches to the side of a 4"/100mm pole	LS5XP Single	LC5 Single	480 480V
	FA5 Attaches to the side of a 5"/127mm pole	TLS5XP Twin	TLC5 Twin	
	Short Straight Arms (Slips over a 4"/100mm pole)	PLS5XP 3-way-T	PLC5 3-way-T	
	SS4 Single	QLS5XP 4-way, horizontal position only	QLC5 4-way	
	TSS4 Twin	Short Curved Arms - Slips over a 4"/100mm pole	Long Curved Arms with Extension - Slips over a 4"/100mm pole	
	QSS4 4-way, horizontal position only	SC4 Single	LC4XP Single	
	Short Straight Arms with Extension - Slips over a 4"/100mm pole	TSC4 Twin	TLC4XP Twin	
	SS4XP Single	PSC4 3-way-T	PLC4XP 3-way-T	
	TSS4XP Twin	QSC4 4-way	QLC4XP 4-way	
	PSS4XP 3-way-T	Short Curved Arms - Slips over a 5"/127mm pole	Long Curved Arms with Extension - Slips over a 5"/127mm pole	
	QSS4XP 4-way, horizontal position only	SC5 Single	LC5XP Single	
	Short Straight Arms with Extension - Slips over a 5"/127mm pole	TSC5 Twin	TLC5XP Twin	
	SS5XP Single	PSC5 3-way-T	PLC5XP 3-way-T	
	TSS5XP Twin	QSC5 4-way	QLC5XP 4-way	
	PSS5XP 3-way-T	Short Curved Arms with Extension - Slips over a 4"/100mm pole	Wall Mount	
	QSS5XP 4-way, horizontal position only	SC4XP Single	Straight Arms	
	Long Straight Arms - Slips over a 4"/100mm pole	TSC4XP Twin	WVSS Very short	
	LS4 Single	PSC4XP 3-way-T	WSS Short	
	TLS4 Twin	QSC4XP 4-way	WLS Long	
	PLS4 3-way-T	Short Curved Arms with Extension - Slips over a 5"/127mm pole	Curved Arms	
	QLS4 4-way, horizontal position only	SC5XP Single	WSC Short	
	Long Straight Arms - Slips over a 5"/100mm pole	TSC5XP Twin	WLC Long	
	LS5 Single	PSC5XP 3-way-T	Wall Mount Arm With extension (Rods and wall plate)⁵	
	TLS5 Twin	QSC5XP 4-way	Straight Arms	
	PLS5 3-way-T	Long Curved Arms - Slips over a 4"/100mm pole	WSSER Short	
	QLS5 4-way, horizontal position only	LC4 Single	WLSER Long	
	Long Straight Arms with Extension - Slips over a 4"/100mm pole	TLC4 Twin	Curved Arms	
	LS4XP Single	PLC4 3-way-T	WSCER Short	
	TLS4XP Twin	QLC4 4-way	WLCER Long	
	PLS4XP 3-way-T			
	QLS4XP 4-way, horizontal position only			

Notes:

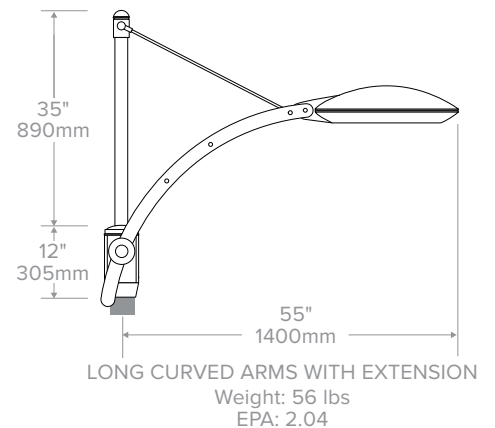
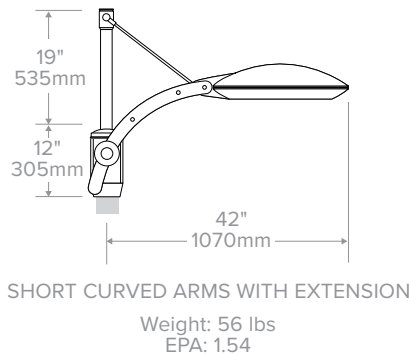
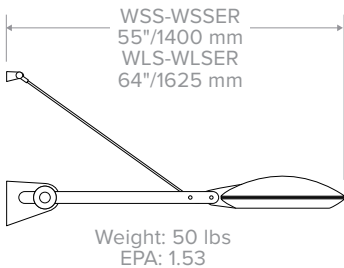
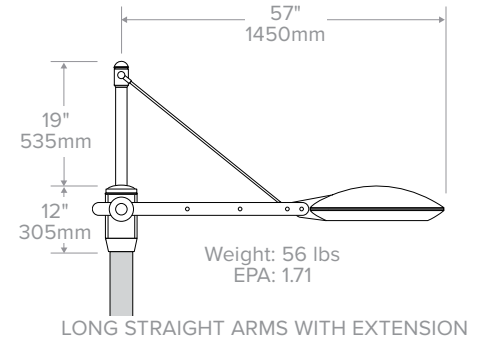
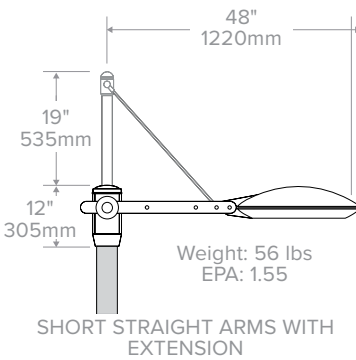
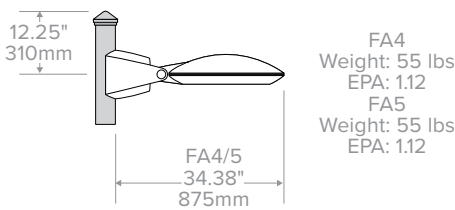
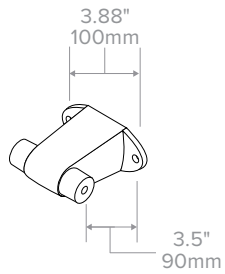
- 1 Wild life friendly
- 2 Diffused Lens is available only with T3 and T5W distribution, but not available in 700mA
- 3 Consult factory for custom color, marine and corrosive finish options
- 4 House side Shield not available for 5Q and 5W distributions
- 5 Arm and wall plate mounting hardware provided by others

PRODUCT EXCEPTIONS & DETAILS

ARM OPTIONS



Extension Rod Plate



DELIVERED LUMENS

The table below shows the delivered lumens for the various lumen outputs and beam distributions. Use this chart in connection with the lumen factor (LF) capability to deliver any output required.

LED #	Drive Current	Lumen Package	Lens	Distribution	3000K 70CRI				4000K 70CRI				5000K 70CRI								
					Lumen	Bug Rating			Efficacy (Lm/W)	Lumen	Bug Rating			Efficacy (Lm/W)	Lumen	Bug Rating			Efficacy (Lm/W)		
72	300	Microcore Crossover	None	1	8327	1	0	1	126.2	8470	1	0	1	128.3	9128	1	0	1	138.3		
				2	7692	1	0	2	116.6	7824	1	0	2	118.6	8432	1	0	2	127.8		
				3	8031	1	0	2	121.7	8169	1	0	2	123.8	8804	1	0	2	133.4		
				4W	7790	1	0	3	118.0	7924	1	0	3	120.1	8539	1	0	3	129.4		
				1-HS	5036	0	0	0	76.3	5123	0	0	0	77.6	5521	0	0	0	83.7		
				2-HS	4359	0	0	1	66.0	4434	0	0	1	67.2	4778	0	0	1	72.4		
				3-HS	4268	0	0	1	64.7	4341	0	0	1	65.8	4678	0	0	1	70.9		
				4W-HS	4389	0	0	2	66.5	4465	0	0	2	67.6	4812	0	0	2	72.9		
				5Q	8137	3	0	1	123.3	8277	3	0	1	125.4	8920	3	0	1	135.2		
				5W	7929	3	0	2	120.1	8065	3	0	2	122.2	8692	3	0	2	131.7		
				Clear	1-CL	7352	1	0	1	111.4	7478	1	0	1	113.3	8059	1	0	1	122.1	
					2-CL	6792	1	0	2	102.9	6908	1	0	2	104.7	7445	1	0	2	112.8	
					3-CL	7091	1	0	2	107.4	7213	1	0	2	109.3	7773	1	0	2	117.8	
					4W-CL	6878	1	0	3	104.2	6996	1	0	3	106.0	7539	1	0	3	114.2	
					1-CL-HS	4447	0	0	0	67.4	4523	0	0	0	68.5	4875	0	0	0	73.9	
			2-CL-HS		3849	0	0	1	58.3	3915	0	0	1	59.3	4219	0	0	1	63.9		
			3-CL-HS		3768	0	0	1	57.1	3833	0	0	1	58.1	4130	0	0	1	62.6		
			4W-CL-HS		3875	0	0	1	58.7	3942	0	0	2	59.7	4248	0	0	2	64.4		
			5Q-CL		7184	3	0	1	108.9	7308	3	0	1	110.7	7875	3	0	1	119.3		
			5W-CL		7000	3	0	2	106.1	7121	3	0	2	107.9	7674	3	0	2	116.3		
			Diffused	3-DL	5811	1	0	1	88.1	5911	2	0	1	89.6	6370	2	0	2	96.5		
				5W-DL	5737	2	0	1	86.9	5836	2	0	1	88.4	6289	2	0	1	95.3		
				1	10521	1	0	1	122.9	10701	1	0	1	125.1	11533	1	0	1	134.8		
				2	9719	2	0	2	113.6	9886	2	0	2	115.5	10654	2	0	2	124.5		
			385	9600	None	3	10147	1	0	3	118.6	10322	1	0	3	120.6	11124	2	0	2	130.0
						4W	9842	1	0	3	115.0	10011	1	0	3	117.0	10789	1	0	3	126.1
						1-HS	6363	0	0	0	74.4	6473	0	0	0	75.6	6976	0	0	0	81.5
						2-HS	5507	0	0	1	64.4	5602	0	0	1	65.5	6037	0	0	1	70.6
						3-HS	5392	0	0	2	63.0	5484	0	0	2	64.1	5911	0	0	2	69.1
						4W-HS	5546	0	0	2	64.8	5641	0	0	2	65.9	6079	0	0	2	71.0
5Q	10281	3				0	1	120.1	10457	3	0	1	122.2	11270	3	0	1	131.7			
5W	10018	4				0	2	117.1	10190	4	0	2	119.1	10982	4	0	2	128.3			
Clear	1-CL	9289				1	0	1	108.5	9448	1	0	1	110.4	10182	1	0	1	119.0		
	2-CL	8581				1	0	2	100.2	8728	1	0	2	102.0	9406	1	0	2	109.9		
	3-CL	8959				1	0	2	104.7	9113	1	0	2	106.5	9821	1	0	2	115.0		
	4W-CL	8690				1	0	3	101.5	8839	1	0	3	103.3	9526	1	0	3	111.3		
	1-CL-HS	5618				0	0	0	65.6	5715	0	0	0	66.8	6159	0	0	0	71.9		
	2-CL-HS	4863				0	0	1	56.8	4946	0	0	1	57.8	5330	0	0	1	62.3		
	3-CL-HS	4761				0	0	1	55.6	4842	0	0	1	56.6	5218	0	0	2	61.0		
	4W-CL-HS	4897	0	0	2	57.2	4981	0	0	2	58.2	5368	0	0	2	62.7					
	5Q-CL	9077	3	0	1	106.0	9233	3	0	1	107.9	9950	3	0	1	116.2					
5W-CL	8845	3	0	2	103.3	8997	3	0	2	105.1	9696	4	0	2	113.3						
Diffused	3-DL	7287	2	0	2	85.1	7412	2	0	2	86.6	7988	2	0	2	93.7					
	5W-DL	7303	2	0	1	85.3	7429	2	0	1	86.8	8006	3	0	1	94.0					

CRI LUMEN MULTIPLIER		
CCT	80 CRI	90 CRI
3000K	0.9119	0.7033
4000K	0.8941	N/A

AMBER	
CCT	MULTIPLIER
5000K	1
AM	0.1727

2700K MULTIPLIER	
CCT	MULTIPLIER
5000K	1
2700K	0.897

DELIVERED LUMENS (CONTINUED)

The table below shows the delivered lumens for the various lumen outputs and beam distributions. Use this chart in connection with the lumen factor (LF) capability to deliver any output required.

LED #	Drive Current	Lumen Package	Lens	Distribution	3000K 70CRI				4000K 70CRI				5000K 70CRI						
					Lumen	Bug Rating			Efficacy (Lm/W)	Lumen	Bug Rating			Efficacy (Lm/W)	Lumen	Bug Rating			Efficacy (Lm/W)
72	495	12000	None	1	13519	1	0	1	121.2	13751	1	0	1	123.3	14820	1	0	1	132.9
				2	12489	2	0	2	112.0	12703	2	0	2	113.9	13690	2	0	2	122.7
				3	13039	2	0	3	116.9	13263	2	0	3	118.9	14294	2	0	3	128.1
				4W	12647	2	0	3	113.4	12864	2	0	3	115.3	13864	2	0	3	124.3
				1-HS	8177	0	0	0	73.3	8317	0	0	0	74.6	8964	0	0	1	80.4
				2-HS	7077	0	0	1	63.4	7198	0	0	1	64.5	7758	0	0	2	69.5
				3-HS	6929	0	0	2	62.1	7047	0	0	2	63.2	7595	1	0	2	68.1
				4W-HS	7126	1	0	2	63.9	7249	1	0	2	65.0	7812	1	0	2	70.0
			5Q	13211	3	0	2	118.4	13438	3	0	2	120.5	14482	3	0	2	129.8	
			5W	12873	4	0	2	115.4	13094	4	0	2	117.4	14111	4	0	2	126.5	
			Clear	1-CL	11936	1	0	1	107.0	12141	1	0	1	108.8	13084	1	0	1	117.2
				2-CL	11026	2	0	2	98.8	11216	2	0	2	100.5	12087	2	0	2	108.3
				3-CL	11512	2	0	3	103.2	11710	2	0	3	104.9	12620	2	0	3	113.1
				4W-CL	11166	1	0	3	100.1	11358	1	0	3	101.8	12240	2	0	3	109.7
	1-CL-HS	7219		0	0	0	64.7	7343	0	0	0	65.8	7914	0	0	0	70.9		
	2-CL-HS	6248		0	0	1	56.0	6356	0	0	1	56.9	6849	0	0	1	61.4		
	3-CL-HS	6117		0	0	2	54.8	6222	0	0	2	55.8	6706	0	0	2	60.1		
	4W-CL-HS	6292		0	0	2	56.4	6400	0	0	2	57.3	6897	1	0	2	61.8		
	5Q-CL	11664	3	0	1	104.5	11864	3	0	1	106.3	12786	3	0	2	114.6			
	5W-CL	11365	4	0	2	101.8	11561	4	0	2	103.6	12459	4	0	2	111.6			
	Diffused	3-DL	9435	2	0	2	84.5	9597	2	0	2	86.0	10343	2	0	2	92.7		
		5W-DL	9315	3	0	2	83.5	9474	3	0	2	84.9	10211	3	0	2	91.5		
	600	15000	None	1	14822	1	0	1	113.2	15076	1	0	1	115.2	16248	1	0	2	124.1
				2	13692	2	0	2	104.6	13927	2	0	2	106.4	15009	2	0	2	114.7
				3	14296	2	0	3	109.2	14541	2	0	3	111.1	15671	2	0	3	119.7
				4W	13866	2	0	3	105.9	14104	2	0	3	107.7	15200	2	0	4	116.1
				1-HS	8965	0	0	1	68.5	9119	0	0	1	69.7	9827	0	0	1	75.1
				2-HS	7759	0	0	2	59.3	7892	0	0	2	60.3	8505	0	0	2	65.0
3-HS				7596	1	0	2	58.0	7727	1	0	2	59.0	8327	1	0	2	63.6	
4W-HS				7813	1	0	2	59.7	7947	1	0	2	60.7	8565	1	0	2	65.4	
5Q				14484	3	0	2	110.6	14733	3	0	2	112.5	15877	4	0	2	121.3	
5W				14113	4	0	2	107.8	14356	4	0	2	109.7	15471	4	0	2	118.2	
Clear				1-CL	13086	1	0	1	100.0	13311	1	0	1	101.7	14345	1	0	1	109.6
				2-CL	12089	2	0	2	92.3	12296	2	0	2	93.9	13252	2	0	2	101.2
				3-CL	12622	2	0	3	96.4	12838	2	0	3	98.1	13836	2	0	2	105.7
				4W-CL	12242	2	0	3	93.5	12452	2	0	3	95.1	13420	2	0	3	102.5
		1-CL-HS	7915	0	0	0	60.5	8051	0	0	0	61.5	8677	0	0	1	66.3		
		2-CL-HS	6850	0	0	1	52.3	6968	0	0	1	53.2	7509	0	0	1	57.4		
		3-CL-HS	6707	0	0	2	51.2	6822	0	0	2	52.1	7352	0	0	2	56.2		
		4W-CL-HS	6898	1	0	2	52.7	7017	1	0	2	53.6	7562	1	0	2	57.8		
5Q-CL		12788	3	0	2	97.7	13008	3	0	2	99.4	14018	3	0	2	107.1			
5W-CL		12461	4	0	2	95.2	12675	4	0	2	96.8	13659	4	0	2	104.3			
Diffused		3-DL	10266	2	0	2	78.4	10442	2	0	2	79.8	11254	2	0	2	86.0		
		5W-DL	10289	3	0	2	78.6	10466	3	0	2	80.0	11279	3	0	2	86.2		

DELIVERED LUMENS (CONTINUED)

The table below shows the delivered lumens for the various lumen outputs and beam distributions. Use this chart in connection with the lumen factor (LF) capability to deliver any output required.

LED #	Drive Current	Lumen Package	Lens	Distribution	3000K 70CRI				4000K 70CRI				5000K 70CRI						
					Lumen	Bug Rating			Efficacy (Lm/W)	Lumen	Bug Rating			Efficacy (Lm/W)	Lumen	Bug Rating			Efficacy (Lm/W)
72	700	17600	None	1	17693	1	0	2	113.7	17997	1	0	2	115.6	19395	1	0	2	123.7
				2	16345	2	0	2	105.0	16625	2	0	2	106.8	17917	2	0	3	114.4
				3	17065	2	0	3	109.3	17358	2	0	3	111.6	18707	2	0	4	122.4
				4W	16552	2	0	4	106.4	16836	2	0	4	108.2	18144	2	0	4	115.9
				1-HS	10701	0	0	1	68.8	10885	0	0	1	69.9	11731	0	0	1	75.4
				2-HS	9262	0	0	2	59.5	9421	0	0	2	60.5	10153	1	0	2	65.2
				3-HS	9068	1	0	2	58.3	9223	1	0	2	59.3	9940	1	0	2	63.9
				4W-HS	9327	1	0	2	59.9	9487	1	0	2	61.0	10224	1	0	2	65.7
				5Q	17290	4	0	2	111.1	17587	4	0	2	113.0	18953	4	0	2	121.0
5W	16847	4	0	2	108.3	17137	4	0	2	110.1	18468	4	0	2	117.7				

PHOTOMETRY

FH2-72L-700-4K7-1

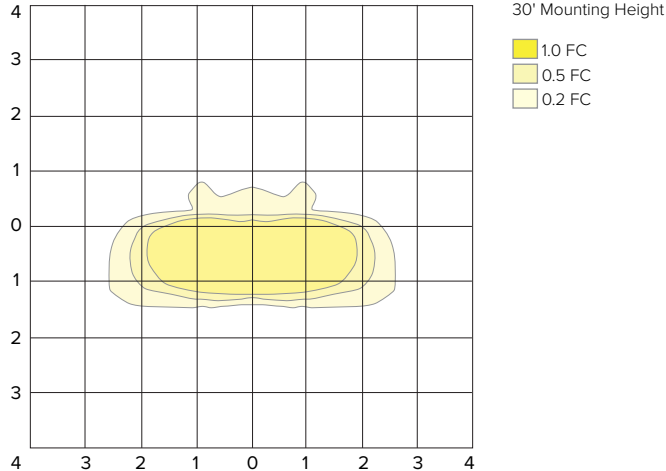
LUMINAIRE DATA

Description	4000 Kelvin, 70CRI
Delivered Lumens	17997
Watts	155.6
Efficacy	115.7
IES Type	I
BUG Rating	B1-U0-G2
Mounting Height	30 ft
Grid Scale	30 ft

ZONAL LUMEN SUMMARY

Zone	Lumens	% Luminaire
Downward Street Side	16515	91.8%
Downward House Side	1482	8.2%
Downward Total	17997	100%
Upward Street Side	0	0%
Upward House Side	0	0%
Upward Total	0	0%
Total Flux	17997	100%

ISOFOOT CANDLE PLOT



FH2-72L-700-4K7-2

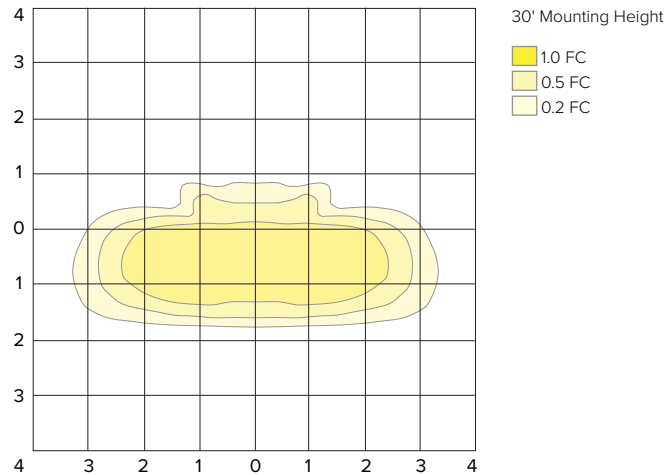
LUMINAIRE DATA

Description	4000 Kelvin, 70CRI
Delivered Lumens	16625
Watts	155.6
Efficacy	106.8
IES Type	II
BUG Rating	B2-U0-G2
Mounting Height	30 ft
Grid Scale	30 ft

ZONAL LUMEN SUMMARY

Zone	Lumens	% Luminaire
Downward Street Side	13986	84.1%
Downward House Side	2639	15.9%
Downward Total	16625	100%
Upward Street Side	0	0%
Upward House Side	0	0%
Upward Total	0	0%
Total Flux	16625	100%

ISOFOOT CANDLE PLOT



FH2-72L-700-4K7-3

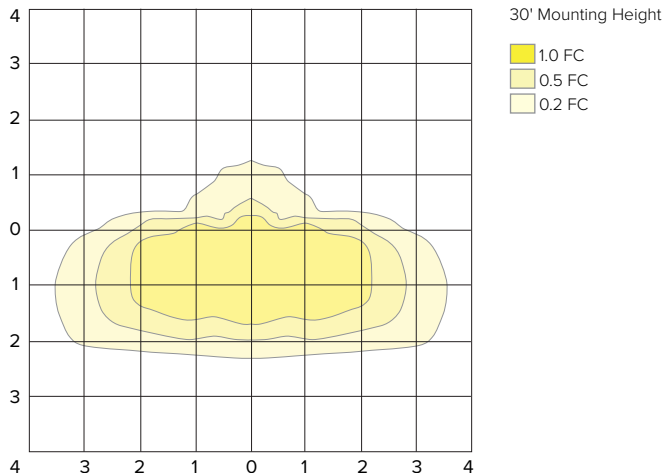
LUMINAIRE DATA

Description	4000 Kelvin, 70CRI
Delivered Lumens	17358
Watts	155.56
Efficacy	111.6
IES Type	III
BUG Rating	B2-U0-G3
Mounting Height	30 ft
Grid Scale	30 ft

ZONAL LUMEN SUMMARY

Zone	Lumens	% Luminaire
Downward Street Side	14996	86.4%
Downward House Side	2362	13.6%
Downward Total	17358	100%
Upward Street Side	0	0%
Upward House Side	0	0%
Upward Total	0	0%
Total Flux	17358	100%

ISOFOOT CANDLE PLOT



PHOTOMETRY

FH2-72L-700-4K7-4W

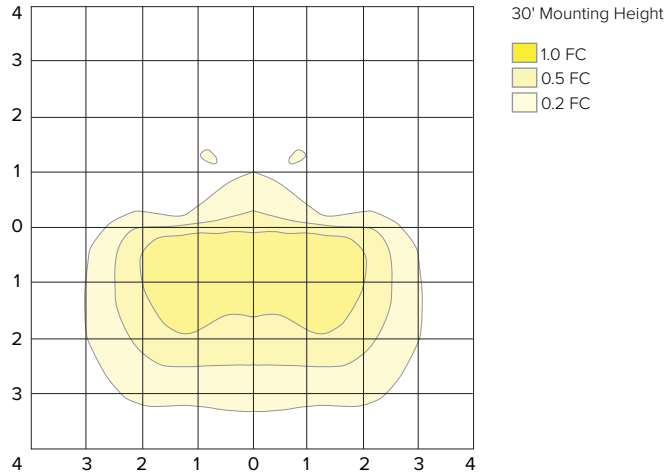
LUMINAIRE DATA

Description	4000 Kelvin, 70CRI
Delivered Lumens	16836
Watts	155.6
Efficacy	108.2
IES Type	IV
BUG Rating	B2-U0-G4
Mounting Height	30 ft
Grid Scale	30 ft

ZONAL LUMEN SUMMARY

Zone	Lumens	% Luminaire
Downward Street Side	15017	89.2%
Downward House Side	1819	10.8%
Downward Total	16836	100%
Upward Street Side	0	0%
Upward House Side	0	0%
Upward Total	0	0%
Total Flux	16836	100%

ISOFOOT CANDLE PLOT



FH2-72L-700-4K7-5Q

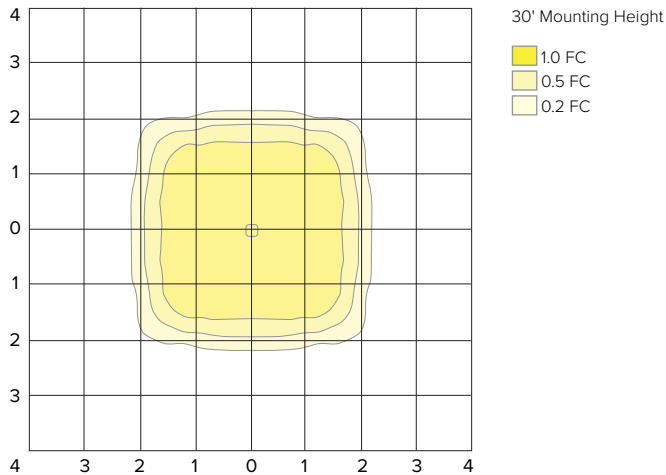
LUMINAIRE DATA

Description	4000 Kelvin, 70CRI
Delivered Lumens	17587
Watts	155.6
Efficacy	113.0
IES Type	VS
BUG Rating	B4-U0-G2
Mounting Height	30 ft
Grid Scale	30 ft

ZONAL LUMEN SUMMARY

Zone	Lumens	% Luminaire
Downward Street Side	8794	50.0%
Downward House Side	8794	50.0%
Downward Total	17587	100%
Upward Street Side	0	0%
Upward House Side	0	0%
Upward Total	0	0%
Total Flux	17587	100%

ISOFOOT CANDLE PLOT



FH2-72L-700-4K7-5W

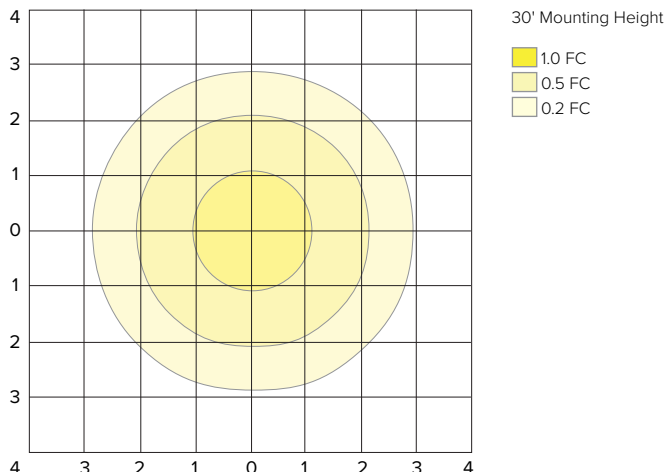
LUMINAIRE DATA

Description	4000 Kelvin, 70CRI
Delivered Lumens	17137
Watts	155.6
Efficacy	110.1
IES Type	VS
BUG Rating	B4-U0-G2
Mounting Height	30 ft
Grid Scale	30 ft

ZONAL LUMEN SUMMARY

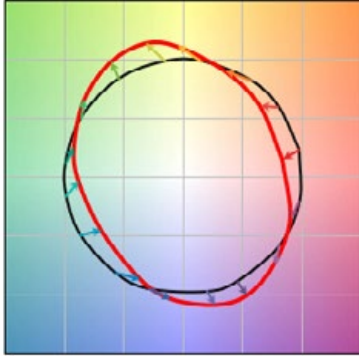
Zone	Lumens	% Luminaire
Downward Street Side	8569	50.0%
Downward House Side	8569	50.0%
Downward Total	17137	100%
Upward Street Side	0	0%
Upward House Side	0	0%
Upward Total	0	0%
Total Flux	17137	100%

ISOFOOT CANDLE PLOT



TM-30 DATA

COLOR VECTOR GRAPHIC

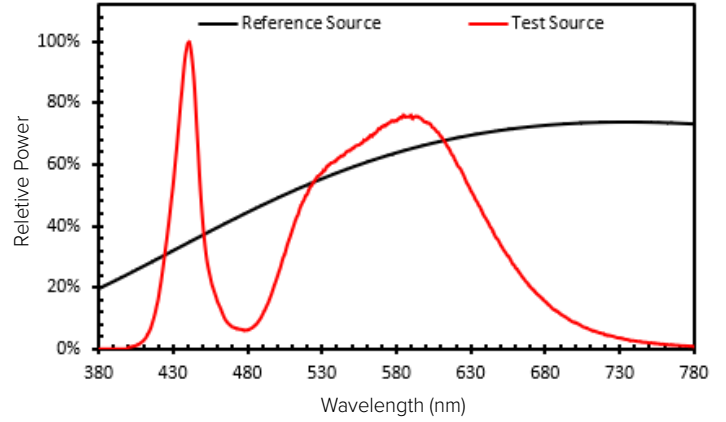


— Reference Illuminant — Test Source

TEST SOURCE

MBM TEST RESULTS	
CCT (K)	3947
CIE Ra	72
Duv	0.0004
x	0.3831
y	0.3793
Rf	68
Rg	99

SPECTRAL POWER DISTRIBUTION COMPARISON



ELECTRICAL DATA

System Current	System Watts	Line Voltage		Amps AC						Min. Power Factor	Max THD (%)	Dimming Range	Dimming			
													Source current out of 0-10V		Absolute voltage range on 0-10V (+)	
		VAC	HZ	120	208	240	277	347	480				Min	Max	Min	Max
300 mA	66.0	120-277	50/60	0.55	0.32	0.28	0.24	0.19	0.14	>0.9	20	10% to 100%	0mA	1mA	0V	10V
385 mA	85.6			0.71	0.41	0.36	0.31	0.25	0.18							
495 mA	111.6			0.93	0.54	0.47	0.40	0.32	0.23							
600 mA	130.9			1.09	0.63	0.55	0.47	0.38	0.27							
700 mA	156.0			1.30	0.75	0.65	0.56	0.45	0.33							