

FEATURES

- Available with highly efficient LEDs
- Lightweight aluminum upper reflector minimizes pole stress
- Stainless steel vertical struts
- Round or square upper reflectors available
- Reflector tilts and locks at 0, 15 or 30 degrees
- Scaled family members

Indirect™



SPECIFICATIONS

CONSTRUCTION

- The upper reflector shall be a light weight aluminum. The reflector shall be finished in a white, fluoropolymer finish. The reflector shall be attached to the cast aluminum pivot joints and secured with four stainless steel bolts. Two cast aluminum, adjustable knuckles shall connect the reflector assembly to the vertical, stainless steel struts. The struts are #304 stainless steel with a minimum .250" wall thickness. The struts shall have threaded connections for attachment to the upper reflector and the lamp module
- The Indirect upper reflector can be tilted 15 or 30 degrees for an asymmetrical light distribution. The locking clamp design ensures a consistent tilt angle on all fixtures
- The INDF post top models shall slip over a 5"/127mm O.D. pole

OPTICAL MODULE

- The optical system shall be enclosed in cast aluminum housing. The front cover is secured with four cap screws for relamping and internal access. The front glass element is clear, tempered glass. The front cover and electrical module are sealed with memory retentive, molded silicone gaskets

OPTICAL MODULE (CONTINUED)

- The driver assembly is mounted on a prewired plate [TESTDATE] 6/12/09 with a quick disconnect plug

INSTALLATION

- The electrical assembly are mounted to a prewired internal service tray and accessed by releasing the service latch to allow the fixture to hinge open into a service position

ELECTRICAL

- The driver assembly is mounted on a prewired plate with a quick disconnect plug

CONTROLS

- SCP shall have an integral surge protection device with a current rating of 10,000 Amps using the industry standard 8/20uSec wave and sure rating of 372J

CERTIFICATIONS

- Luminaire shall be listed with ETL for outdoor, wet location use, UL1598, UL 8750 and Canadian CSA Std. C22.2 no.250
- This product qualifies as a "designated country construction material" per FAR 52.225-11 Buy American- Construction Materials under Trade Agreements effective 6/06/2020

WARRANTY

- 5 year warranty

KEY DATA	
Lumen Range	1153
Wattage Range	33
Efficacy Range (LPW)	34.9

ORDERING GUIDE

Example: INDF-RD-30LED-NW-BLS-SCP-PMAT

CATALOG #

HOUSING

INDF	Reflector - Upper	LED	Color
Luninaire INDF Slips over a 5"/127mm O.D. pole INDF (Fixed head)	30 inch upper reflector RD Round SQ Square	30 LEDs, 33 watts, Warm white (3000K), Neutral white (4000K), Bright white (5000K), 120 thru 277 volt 30LED-WW Warm white 30LED-NW Neutral white 30LED-BW Bright white	BLS Black Gloss Smooth BLT Black Matte Textured DBS Dark Bronze Gloss Smooth DBT Dark Bronze Matte Textured GTT Graphite Matte Textured LGS Light Grey Gloss Smooth LGT Light Grey Matte Textured PSS Platinum Silver Gloss Smooth VGT Verde Green Matte Textured WHS White Gloss Smooth WHT White Matte Textured Color Option CC Custom Color ¹

Options	Mounting (Optional)
SCP Sensor Control Programmable pole accessory is available to provide occupancy detection for outdoor applications meeting California Title 24	Wall Mount WMA 10 lbs. EPA: 0.68 Pole Mount PMAT Twin pole mount arm, slips over a 4"/100mm O.D. pole or tenon, 14lbs. EPA: 0.83

Notes:

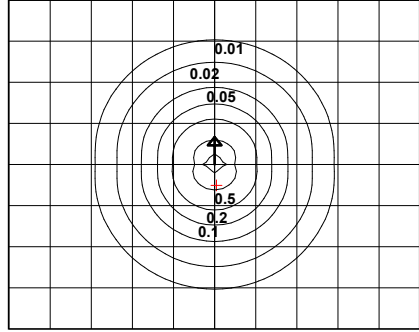
1 Consult factory for custom color, marine and corrosive finish options

ISOLINE TEMPLATE

INDF 30LED BW WATTAGE: 33 LUMEN OUTPUT: 1153 EFFICACY: 34.9 Lm/W

B1 U2 G1

FORWARD LIGHT LUMEN			
FL	30°	9.6%	111
FM	60°	25.4%	293
FH	80°	11.9%	138
FVH	90°	1.9%	22
BACK LIGHT			
BL	30°	10.2%	118
BM	60°	25.6%	296
BH	80°	11.9%	138
BVH	90°	1.9%	22
UPLIGHT			
UL	100°	0.3%	4
UH	180°	1.0%	12



UPLIGHT 1.3%
DOWNLIGHT 98.7%

14' MOUNTING HEIGHT

DIMENSIONS

