

FEATURES

- Three hood styles
- Six decorative screen options
- 3000K, 4000K, 5000K CCT
- Post-top, wall mount, or pole mount arm
- Cast aluminum struts
- Full cutoff options



Pareway Square®



Parkway Square PKWS

SPECIFICATIONS

CONSTRUCTION

- All housing components shall be cast aluminum, sealed with continuous silicone rubber gaskets
- Hoods shall be of fabricated construction with seamless blended outside corners. Optional natural stainless steel and or natural copper hoods shall have a horizontal brushed grain. Natural copper hoods shall naturally oxidize over time
- Horizontal lens configurations shall be clear flat tempered soda lime glass
- Vertical lens configurations shall be clear injection molded acrylic or diffused injection molded acrylic
- All internal and external hardware shall be stainless steel
- Luminaire finish shall consist of a five stage pretreatment regimen with a polymer primer sealer, oven dry off, and top coated with a thermoset super TGIC polyester powder coat finish.
- Luminaire finish shall meet the AAMA 2604-05 performance specification which includes passing a 3000 hour salt spray test for corrosion resistance

LED/OPTICS

- LEDs shall be mounted to a metal printed circuit board assembly (MCPCB)
- Vertical lens configurations shall have clear injection molded PMMA acrylic optics

INSTALLATION

- The PKWS shall be factory supplied as a complete, prewired assembly. The fixture shall slip over a 3"/75mm open top round pole or 4"/100mm pole mounted arm and secured and leveled with 4 stainless steel set screws
- Gear compartment shall be accessed via the removal of four 8-32 fasteners. Driver and surge suppressor shall be mounted to a pre-wired tray with quick disconnects that may be removed from the gear compartment

ELECTRICAL

- Luminaires shall have integral surge protection that shall be U.L. recognized and have a surge current rating of 10,000 Amps using the industry standard 8/20uSec wave and surge rating of 372J.
- Drivers shall be U.L recognized with an inrush current maximum of <20.0 Amps maximum at 230VAC

CONTROLS

- SCP shall have an integral surge protection device with a current rating of 10,000 Amps using the industry standard 8/20uSec wave and surge rating of 372J
- Sensor not intended for use with additional photo-control, wireless control or dimming systems

CERTIFICATIONS

- Luminaire shall be listed with ETL for outdoor, wet location use, UL1598, UL 8750 and Canadian CSA Std. C22.2 no.250

WARRANTY

- 5 year warranty

KEY DATA	
WATTAGE RANGE	13-39
INPUT CURRENT RANGE (mA)	350 mA

ORDERING GUIDE

Example: PKWS-ANG-T3-36LED-NW-DSOM-BLS-LDL-PSA-TU

CATALOG #

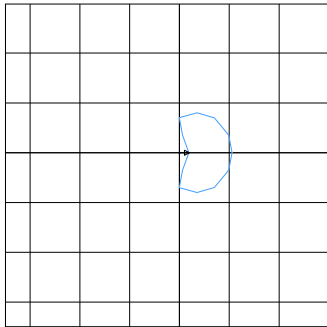
HOUSING

PKWS						
Luninaire	Hood	Light Engine		Color Temperature	Decorative Screen	Fixture Finish
PKWS Parkway Square Accent (small scale)	ANG Angled	Flat Horizontal lens, open struts		BW 3000K, 70 CRI	Optional, may choose one DSIN Infinity design ² DSOF Offset design ² DSWH Wheat design ² DSTR Trio design ² DSSH Shutter design ² DSCS Custom design ²	BLS Black Gloss Smooth
	STR Straight	T1-36LED Flat lens, Type I, 39W ¹	NW 4000K, 70 CRI	BLT Black Matte Textured		
	DBL Double	T3-36LED Flat lens, Type III, 39W ¹	WW 5000K, 70 CRI	DBS Dark Bronze Gloss Smooth		
		T5-36LED Flat lens, Type V, 39W ¹		DBT Dark Bronze Matte Textured		
		Vertical lens, internal frosted glass diffuser		GTT Graphite Matte Textured		
		GLA-9LED Asymmetric, 13W		LGS Light Grey Gloss Smooth		
		GLA-18LED Symmetric, 21W		LGT Light Grey Matte Textured		
				PSS Platinum Silver Gloss Smooth		
				VGT Verde Green Matte Textured		
				WHS White Gloss Smooth		
			WHT White Matte Textured			
						Color Option
						CC ¹ Custom Color

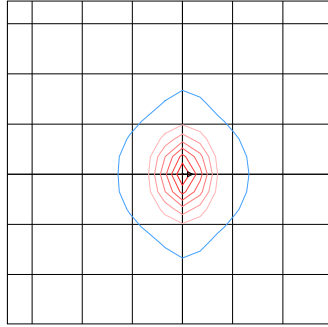
Options	Mounting	Controls
General	Standard fixture shall slip over a 3" / 76mm pole or tenon or may choose one	SCP Sensor Control Programmable ⁴
ULS Upper lens shield ²		Pole accessory is available to provide occupancy detection for outdoor applications meeting California Title 24
LDL Lightly diffused lens ⁵		
	Pole Mounted Bracket Mounts to the side of a 4" / 102mm diameter pole or post, must specify round or square pole or post	
	PSA-TU Fixture above with up-swept arm	
	PSA-TD Fixture above with down-swept arm	
	PSA-BU Fixture below with up-swept arm	
	PSA-BD Fixture below with down-swept arm	
	Wall Mount Bracket	
	PSWM-TU Fixture above with up-swept arm	
	PSWM-TD Fixture above with down-swept arm	
	PSWM-BU Fixture below with up-swept arm	
	PSWM-BD Fixture below with down-swept arm	
	Visit currentlighting.com/aal for Arms, Poles & Accessories Specification Guide	

Notes:
 1 ANG Hood only
 2 GLA-9LED or GLA18-LED only
 3 Contact factory
 4 PSA-xx only
 5 Tx-36LED only

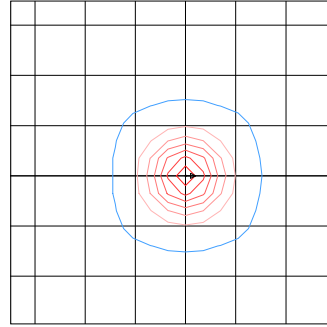
ISOLINE TEMPLATE



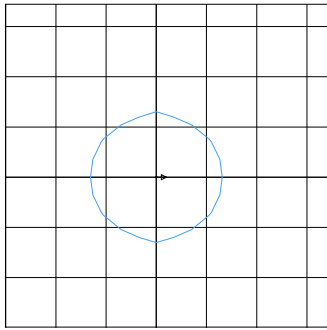
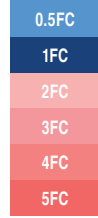
PKWS-[HOOD]-GLA-9LED-BW



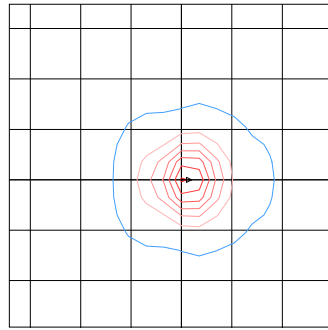
PKWS-ANG-T1-36LED-BW



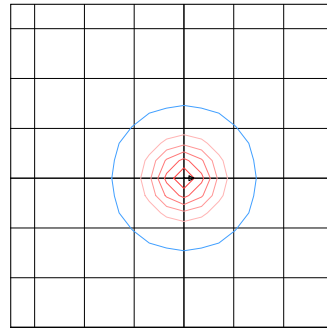
PKWS-ANG-T5-36LED-BW



PKWS-[HOOD]-GLA-18LED-BW



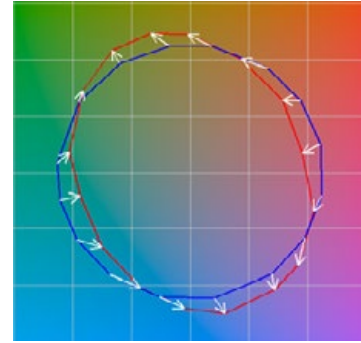
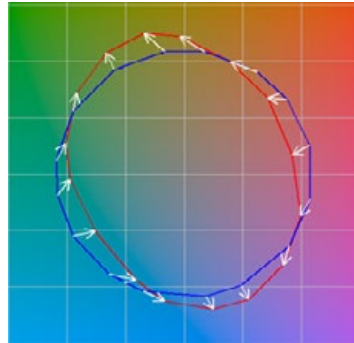
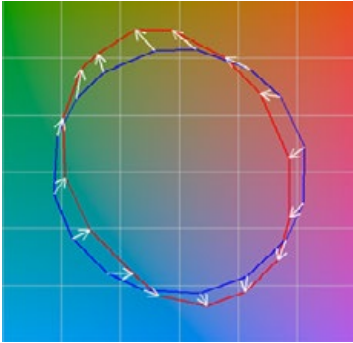
PKWS-ANG-T3-36LED-BW



PKWS-ANG-T5-36LED-BW-LDL

TM-30 DATA

COLOR VECTOR GRAPHIC



— Reference Illuminant — Test Source — Series1 — Series2
 — Series3 — Series4 — Series5 — Series6
 — Series7 — Series8 — Series9 — Series10

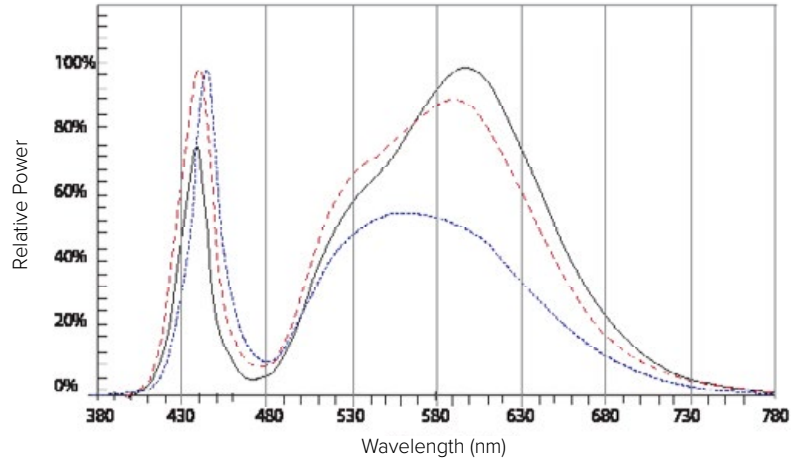
— Reference Illuminant — Test Source — Series1 — Series2
 — Series3 — Series4 — Series5 — Series6
 — Series7 — Series8 — Series9 — Series10

— Reference Illuminant — Test Source — Series1 — Series2
 — Series3 — Series4 — Series5 — Series6
 — Series7 — Series8 — Series9 — Series10

TEST SOURCE

Value	Ordering Code		
	3K	4K	5K
R _r	69	69	71
R _g	99	99	98
CCT(K)	3122	3852	5020
D _{uv}	0.001	0.0004	0.0005
CIE R _a	74	73	74

SPECTRAL POWER DISTRIBUTION COMPARISON



— XX30
 - - - XX40
 - - - XX50

ELECTRICAL DATA

Ordering Code									INRUSH CURRENT PEAK		Dimming		
	System Watts	Line Input		Amps AC	LED Drive mA	System Watts	Min. POWER FACTOR	Max THD (%)	Driver Operating Temp. Range (°C)	(A)	T@50% (µS)	Dimming Range (V)	Source/Sink Current (mA)
Model		VAC	Hz										
9LED	25	120-277	50/60	.11 - .05	350	13	≥.9	20	-30 to +40	15 - 32	100	(not dimmable)	
18LED				.18 - .08		21						0 - 10	1
36LED				.33 - .14		39							