

Providence® Bollard

FEATURES

- Reliable uniform illumination
- True IES Type 2, 3, 4, and 5 distributions
- 3000K , 4000K, 5000K CCT
- 0-10V dimmable
- 20kV/10kA surge suppression
- Thermal protection



3000K and warmer CCTs only



SPECIFICATIONS

HOUSING

- Luminaire shall have discrete optical and gear compartments that do not share any physical housings
- All housing components shall be die-cast aluminum, sealed with continuous silicone rubber gaskets
- Standard configurations shall have a clear flat tempered glass lens
- All internal and external hardware shall be stainless steel
- Optical bezel finish shall match the luminaire housing
- Luminaire finish shall consist of a five stage pretreatment regimen with a polymer primer sealer, oven dry off, and top coated with a thermoset super TGIC polyester powder coat finish
- Luminaire finish shall meet the AAMA 605.2 performance specification which includes passing a 3000 hour salt spray test for corrosion resistance

LED/OPTICS

- LEDs shall be mounted to a metal printed circuit board assembly (MCPCB) with a uniform conformal coating over the panel surface and electrical features
- LED optics shall be clear injection molded PMMA acrylic
- MCPCB and optic shall be sealed to a die-cast anodized aluminum heat sink with an injection molded silicone rubber gasket. IP66

INSTALLATION

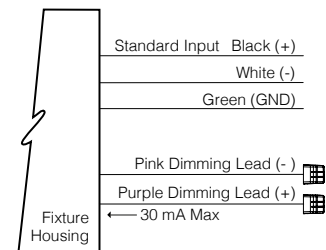
- Fixture shall slip over two 12" x 10" x 2" anchor bolts supported by hex nuts and washers to level fixture. Provision for water drainage at footing is recommended
- One-piece cast aluminum arms accept the standard 3" slip fitter on the Providence fixture
- Arms are prewired with quick disconnects
- Wall mounted arms do not include wall mounting hardware
- Pole mounted arms use 3/8-16 hardware bolts for attaching to the pole
- Driver assembly shall be mounted to a prewired internal tray with quick disconnects for removal
- Luminaire shall have tool-less service access to the gear compartment. Driver and surge suppressor shall be mounted to a prewired tray with quick disconnects that may be removed from the gear compartment

ELECTRICAL

- Luminaires shall have integral surge protection that shall be U.L. recognized and have a surge current rating of 10,000 Amps using the industry standard 8/20uSec wave and surge rating of 372J
- Drivers shall be U.L recognized with an inrush current maximum of <20.0 Amps maximum at 230VAC
- Drivers shall not be compatible with current sourcing dimmers, consult factory for current list of known compatible dimming systems, approved dimmers include Lutron Diva AVTV, Lutron Nova NFTV and NTFTV

ELECTRICAL (CONTINUED)

- Luminaires not configured with an optional control system shall be provided with 0-10V purple and pink dimming leads



CERTIFICATIONS

- Luminaire shall be listed with ETL for outdoor, wet location use, UL1598, UL 8750 and Canadian CSA Std. C22.2 no.250
- IDA approved, 3000K and warmer CCTs only

WARRANTY

- 5 year warranty

KEY DATA	
Lumen Range	1,170–3,270
Wattage Range	25–43
Efficacy Range (LPW)	46–78
Weight	27 lbs / 12 kg

DATE: _____ LOCATION: _____
 TYPE: _____ PROJECT: _____
 CATALOG #: _____

ORDERING GUIDE

Example: PROB-Y2-2040-LDL-BLT

CATALOG # _____

Model	Distribution	Lumen Package	Color
PROB Providence Bollard LED	Y2 Type 2	2030 3000K CCT, 25 watts	BLS Black Gloss Smooth
	Y3 Type 3	2040 4000K CCT, 25 watts	BLT Black Matte Textured
	Y4 Type 4	2050 5000K CCT, 25 watts	DBS Dark Bronze Gloss Smooth
	Y5 Type 5	3030 3000K CCT, 43 watts	DBT Dark Bronze Matte Textured
		3040 4000K CCT, 43 watts	GTT Graphite Matte Texture
	3050 5000K CCT, 43 watts	LGS Light Grey Gloss Smooth	
			LGT Light Grey Matte Textured
			PSS Platinum Silver Gloss Smooth
			VGT Verde Green Matte Textured
			WHS White Gloss Smooth
			WHT White Matte Textured
			CC Custom Color ³

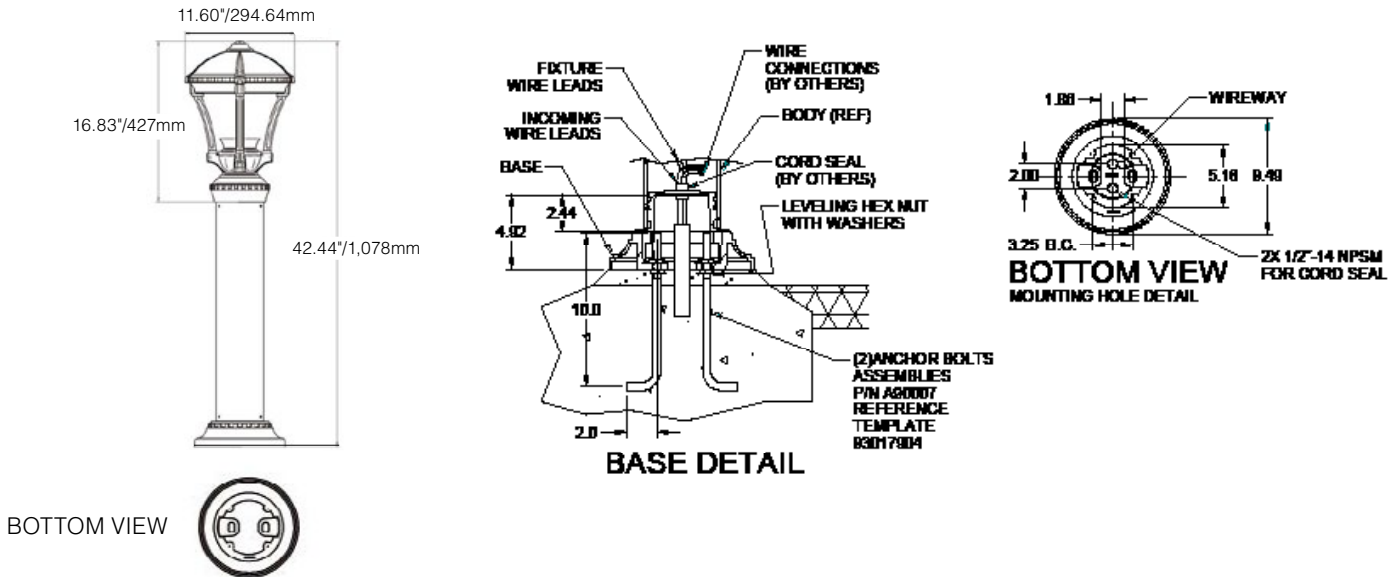
Options	Mounting
FS1 Fusing	FL Fluted Shaft 5" DIA.
DSC Dark Sky Cap	RD Round Shaft 5" DIA.
PFC Brass Painted Finial	PM Pier Mount
BPS Brass Painted Struts	
LDL Lightly Diffused Lens	

Notes:
 1 Consult factory for custom color, marine and corrosive finish

DELIVERED LUMENS

Light Engine	Lensing	Distribution	Ordering Code	Average System Watts	3000K 70CRI				4000K 70CRI				5000K 70CRI						
					Lumen	Bug Rating			Efficacy (Lm/W)	Lumen	Bug Rating			Efficacy (Lm/W)	Lumen	Bug Rating			Efficacy (Lm/W)
						B	U	G			B	U	G			B	U	G	
2000 Series	Clear Lens (Standard)	Type 2	Y2	25	2030				2040				2050						
		Type 3	Y3		1792	1	0	1	71	1957	1	0	1	78	1951	1	0	1	78
		Type 4	Y4		1830	1	0	1	73	1970	1	0	1	78	1958	1	0	1	78
		Type 5	Y5		1793	1	0	1	71	1957	1	0	1	78	1960	1	0	1	78
		Type 2	Y2 LDL		1735	1	0	1	65	1894	1	0	1	76	1989	1	0	1	76
	Lightly Diffused Lens	Type 2	Y2 LDL		1216	1	1	1	49	1361	1	1	1	54	1387	0	1	1	56
		Type 3	Y3 LDL		1216	1	1	1	50	1361	1	1	1	56	1386	1	1	1	57
		Type 4	Y4 LDL		1170	1	2	1	47	1309	1	2	1	52	1334	1	2	1	53
		Type 5	Y5 LDL		1139	1	1	1	46	1275	1	1	1	51	1299	1	1	1	52
		3000 Series	Clear Lens (Standard)		Type 2	Y2	43	3030				3040				3050			
Type 3	Y3			2975	1	0		1	69	3247	1	0	1	76	3238	1	0	1	75
Type 4	Y4			3038	1	1		1	70	3270	1	0	1	76	3261	1	0	1	75
Type 5	Y5			2988	1	0		1	69	3262	1	0	1	76	3253	1	0	1	75
Type 2	Y2 LDL			2892	2	0		1	67	3157	2	0	1	73	3148	2	0	1	73
Lightly Diffused Lens	Type 2		Y2 LDL	2092	1	1		1	49	2342	1	1	1	54	2386	1	1	1	56
	Type 3		Y3 LDL	2091	1	1		1	50	2341	1	1	1	56	2385	1	1	1	57
	Type 4		Y4 LDL	2012	1	2		1	47	2252	1	2	1	52	2295	1	2	1	53
	Type 5		Y5 LDL	1959	1	1		1	46	2193	1	1	1	51	2234	1	1	1	52

DIMENSIONS



LED COLOR

Value	Ordering Code		
	XX30	XX40	XX50
CCT Average	3000K	4000K	5000K
CRI Minimum	70	70	70
S/P Ratio	1.22	1.5	1.8

ELECTRICAL CHARACTERISTICS

Configuration	Driver									Inrush Current Peak				Dimming		
	Ordering Code	LED Current (mA)	System Wattage (W)	Line Voltage		Amps AC		Min. Power Factor	Max THD (%)	Operating Temp. Range	120V		277V		Dimming Range (V)	Source/Sink Current (mA)
				VAC	HZ	120	277				Ipeak (A)	Ipeak (A)				
20XX	255	25	120-277	50/60	0.21	0.09	>0.9	20	-40°C To +55°C	21	160 uS	49	160 uS	10% TO 10)%	1mA	
30XX	400	42			0.35	0.15										

TM-21 LIFETIME CALCULATION (500MA)

Optical System	Ordering Code	Ambient Environment °C	Projected Lumen Maintenance (Khrs)					Reported L70
			15	25	50	60 (TM-21)	100	
MicroCore	32LED	15	100%	99%	99%	98%	97%	>96Khrs.
		25	99%	99%	98%	97%	95%	
		40	98%	97%	94%	93%	89%	

Consult factory for Amber, Turtle Friendly, Gulf Coast and Observatory applications.