

# AAL Poles

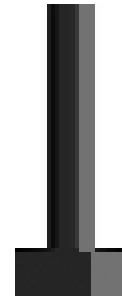
## SPECIFICATIONS

### CONSTRUCTION

- Base shall be cast aluminum #356 alloy, free of any porosity, foreign materials, or cosmetic fillers.
- Base casting shall be heat treated to a T-6 condition, and of uniform wall thickness, with no warping or mold shifting

### WARNINGS

- Caution must be exercised in the selection of a design wind speed when the pole is to be installed in a special wind region (as indicated by the wind map) or in an area where wind speed is unpredictable
- AAL recommends consulting a local engineer when the pole is to be installed in an area that may be subject to extreme weather and exposure
- Poles installed on structures such as buildings and bridges may be subjected to vibration, oscillations, and other fatigue effects which are not covered by the AAL warranty
- The use of banners or other appendages can severely affect the loading of a pole. No banner or other appendage should be attached to an AAL pole unless approved by AAL
- If the products are to be used on an existing foundation or on other structures, the customer assumes all responsibility for the structural integrity of the existing foundation, anchorage or structures and all the consequences arising therefrom



### WARNINGS (CONTINUED)

- Caution Poles should never be erected without the luminaire installed
- Anchor bolts shall be hot dip galvanized steel. Eight galvanized hex nuts and flat washers, and a bolt circle template shall be provided. Anchor bolt for poles are 3/4" x 24" x 3"

### CERTIFICATION

- Certified UL 1598 in accordance with Article 410 of ANSI/NFPA 70, National Electrical Code

## ORDERING GUIDE

Example: PR4-4S10-125-8' (2.4m)-BLT

CATALOG #

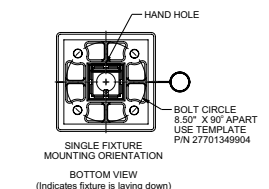
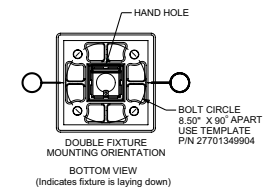
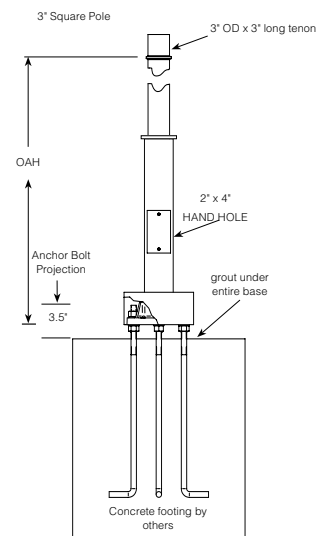
### SERIES

Base	Pole	OAH	Color	Options	
PS4 4" Square Pole	4S10-125	4S10-125	10' (3.1m)	10' (3.1m)	<b>BLS</b> Black Gloss Smooth <b>BLT</b> Black Matte Textured <b>DBS</b> Dark Bronze Gloss Smooth <b>DBT</b> Dark Bronze Matte Textured <b>GTT</b> Graphite Matte Textured <b>LGS</b> Light Grey Gloss Smooth <b>LGT</b> Light Grey Matte Textured <b>PSS</b> Platinum Silver Gloss Smooth <b>VGT</b> Verde Green Matte Textured <b>WHS</b> White Gloss Smooth <b>WHT</b> White Matte Textured <b>Color Option</b> <b>CC<sup>1</sup></b> Custom Color
	4S12-125	4S12-125	12' (3.7m)	12' (3.7m)	
	4S14-125	4S14-125	14' (4.3m)	14' (4.3m)	
	4S16-125	4S16-125	16' (4.9m)	16' (4.9m)	
	4S18-125	4S18-125	18' (5.5m)	18' (5.5m)	
	4S20-125	4S20-125	20' (6.2m)	20' (6.2m)	

Notes:

- 1 Consult factory for custom color, marine and corrosive finish

## DIMENSIONS



SHAFT	WT	Maximum Allowable EPA (MPH)							
		85	90	100	110	120	130	140	150
4" SQ x .125"	28	15.4	13.5	10.4	8.1	6.4	5.0	4.0	3.1
4" SQ x .125"	32	11.8	10.2	7.6	5.7	4.3	3.2	2.3	1.6
4" SQ x .125"	37	9.1	7.7	5.5	3.9	2.6	1.7	0.95	0.33
4" SQ x .125"	42	6.9	5.7	3.8	2.3	1.3	0.46	-	-
4" SQ x .125"	48	4.9	3.9	2.2	0.95	0.01	-	-	-
4" SQ x .125"	53	3.2	2.2	0.75	-	-	-	-	-