

AAL ARMS



SPECIFICATIONS

CONSTRUCTION

- The arm shall be of one piece unitized aluminum construction, fully welded and assembled. The slip fitter shall be cast aluminum with an internal wireway and pole stop. The arm shall be prewired with a quick connector for easy installation.
- The arms shall have a cast aluminum fitter welded to the top of the arm for attaching the fixture. The fixture shall be mounted with three stainless steel bolts through the top of the arm fitter into the fixture. The attachment point shall have a silicone pad for sealing the fixture to arm connection.
- The arm shall slip over a 4"/100mm diameter pole or tenon. The cast aluminum slip fitter shall have six stainless steel cup point set screws for securing the arm to the pole or tenon.

ORDERING GUIDE

Example: SLA16-BLT

CATALOG #

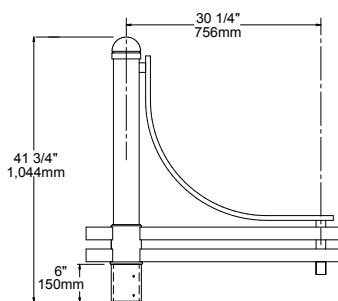
HOUSING

Arm	Color
SLA16 Slips over 4" pole. Weight: 15 lbs. EPA: 1:30	BLS Black Gloss Smooth
SLA16-2 Twin arms, slips over 4" pole. Weight: 26 lbs. EPA: 1:94	BLT Black Matte Textured
	DBS Dark Bronze Gloss Smooth
	DBT Dark Bronze Matte Textured
	GTT Graphite Matte Textured
	LGS Light Grey Gloss Smooth
	LGT Light Grey Matte Textured
	PSS Platinum Silver Gloss Smooth
	VGT Verde Green Matte Textured
	WHS White Gloss Smooth
	WHT White Matte Textured
	Color Option
	CC ¹ Custom Color

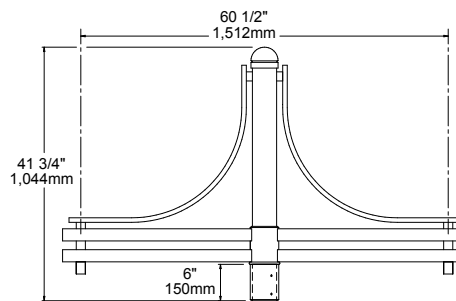
Notes:

- 1 Consult factory for custom color, marine and corrosive finish

DIMENSIONS



SLA16 (4" pole)



SLA16-2 (4" pole)