

## AAL ARMS

### SPECIFICATIONS

#### CONSTRUCTION

- The arm shall be of one piece unitized aluminum construction, fully welded and assembled. The slip fitter shall be cast aluminum with an internal wireway and pole stop. The arm shall be prewired with a quick connector for easy installation.
- The arms shall have a cast aluminum fitter welded to the top of the arm for attaching the fixture. The fixture shall be mounted with three stainless steel bolts through the top of the arm fitter into the fixture. The attachment point shall have a silicone pad for sealing the fixture to arm connection.
- The arm shall slip over a 4"/100mm diameter pole or tenon. The cast aluminum slip fitter shall have six stainless steel cup point set screws for securing the arm to the pole or tenon.



### ORDERING GUIDE

Example: SLA9-BLT

CATALOG #

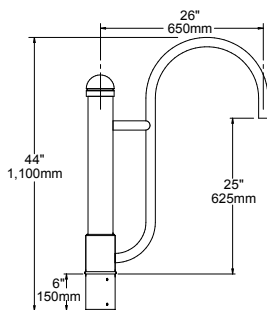
#### HOUSING

Arm	Color
<b>SLA9</b> Slips over 4" pole. Weight: 18 lbs. EPA: 1.90	<b>BLS</b> Black Gloss Smooth
<b>SLA9-2</b> Twin arms, slips over 4" pole. Weight: 24 lbs. EPA: 2.44	<b>BLT</b> Black Matte Textured
	<b>DBS</b> Dark Bronze Gloss Smooth
	<b>DBT</b> Dark Bronze Matte Textured
	<b>GTT</b> Graphite Matte Textured
	<b>LGS</b> Light Grey Gloss Smooth
	<b>LGT</b> Light Grey Matte Textured
	<b>PSS</b> Platinum Silver Gloss Smooth
	<b>VGT</b> Verde Green Matte Textured
	<b>WHS</b> White Gloss Smooth
	<b>WHT</b> White Matte Textured
	<b>Color Option</b>
	<b>CC<sup>1</sup></b> Custom Color

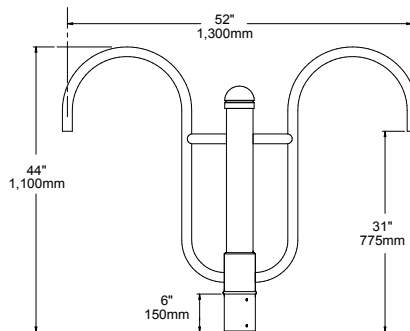
Notes:

- 1 Consult factory for custom color, marine and corrosive finish

### DIMENSIONS



SLA9 (4" pole)



SLA9-2 (4" pole)