

DATE:	LOCATION:
TYPE:	PROJECT:
CATALOG #:	

FEATURES

- Reliable, uniform, glare free illumination
- Types 1, 2, 3, 4W, 5Q, and 5W distributions
- 3000K, 4000K, 5000K CCT
- 0-10V dimming ready
- Integral surge suppression
- Upgrade Kits



LARGENT™



Largent SLVT2

SPECIFICATIONS

CONSTRUCTION

- All housing components aluminum 360 alloy, sealed with continuous silicone rubber gaskets
- Standard configurations do not require a flat lens, optional lenses is tempered glass
- All internal and external hardware is stainless steel
- Finish: fade and abrasion resistant, electrostatically applied, thermally cured, triglycidal isocyanurate (TGIC) polyester powdercoat
- Optical bezel finish is match the luminaire housing

LED/OPTICS

- Optical cartridge system consisting of a die cast heat sink, LED engine, TIR optics, gasket and bezel plate
- Cartridge is easily disassembled to replace components. Optics are held in place without the use of adhesives
- Molded silicone gasket ensures a weather-proof seal around each individual LED
- Features revolutionary individual LED optical control based on high performance TIR optical designs
- House Side Shield is available on Standard and Clear Lens options except any Type 5 distribution. House Side Shield is not available for any distribution using a Diffused Lens

INSTALLATION

- Fixtures must be grounded in accordance with national, state and/or local electrical codes. Failure to do so may result in serious personal injury

ELECTRICAL

- Luminaires have integral surge protection, UL recognized and have a surge current rating of 10,000 Amps using the industry standard 8/20uSec wave and surge rating of 372J
- Drivers are UL recognized with an inrush current maximum of <20.0 Amps maximum at 230VAC
- 100%-1% dimming range. Fixture will be wired for low voltage 0-10V dimming control
- Driver and surge suppressor are mounted to a prewired tray with quick disconnects that may be removed from the gear compartment

CONTROLS

- Egress adapter(s) shall slip over a 4"/100mm DIA. pole with the luminaire or arm slipping over the adapter to add a total of 4.5"/114mm to the overall height. Adapter(s) shall be prewired, independently rotatable 359°, and have a cast access cover with an integral lens and lanyard
- Photocell adapter shall include an internal twist lock receptacle. Photocell by others

CONTROLS (CONTINUED)

- Egress adapter shall require an auxiliary 120 volt supply for operation of an integral MR16 lamp in the event of emergency. The lamp may be aimed and locked into position with an adjustment range of 15°-45°. Adapter shall have a socket that accepts miniature bi-pin MR16 lamps up to 50 watts, lamp by others

CERTIFICATIONS

- ETL listed under UL 1598 and CSA C22.2 No. 250.0-08 for wet locations
- This product qualifies as a "designated country construction material" per FAR 52.225-11 Buy American-Construction Materials under Trade Agreements effective 6/06/2020

WARRANTY

- 5 year warranty

KEY DATA	
LUMEN RANGE	2,806-17,582
WATTAGE RANGE	63.6-158.9
EFFICACY RANGE (LPW)	37.9-128.9
INPUT CURRENT RANGE (mA)	285/335/430/500/615 mA
WEIGHT	27 lbs / 12.25 kg
EPA	0.80

ORDERING GUIDE

Example: SLVT-72L-335-3K7-4W-BL-SLA1-CL-HS-SCP-UNV

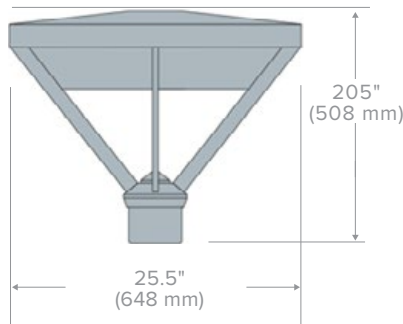
CATALOG #

HOUSING

SLVT2		LED Quantity		Lumen output		CCT/CRI		Distribution		Finish	
SLVT2	Largent 2.0	72L	72 LED	285	450 mA Microcore Crossover	AMB	Amber-595nm Peak ¹	1	Type I	BLS	Black Gloss Smooth
				335	335mA, 8500 Lumens	3K7	3000K, 70 CRI	2	Type II	BLT	Black Matte Textured
				430	700 mA Microcore Crossover	4K7	4000K, 70 CRI	3	Type III	DBS	Dark Bronze Gloss Smooth
				500	500mA, 12,000 Lumens	5K7	5000K, 70 CRI	4W	Type IV Wide	DBT	Dark Bronze Matte Textured
				700	700mA, 16,000 Lumens			5Q	Type V Square	GTT	Graphite Matte Textured
								5W	Type V Wide	LGS	Light Grey Gloss Smooth
										LGT	Light Grey Matte Textured
										PSS	Platinum Silver Gloss Smooth
										VGT	Verde Green Matte Textured
										WHS	White Gloss Smooth
										WHT	White Matte Textured
										Color Option	
										CC ²	Custom Color

Mounting	Optional Lens	Options	Mounting Options	Voltage
Pole Mount	CL Clear Lens	HS House Side Shield ³	AD5 Adaptor-5" OD Pole	UNV 120-277V
STND_MNT Standard Mount 4" OD Pole	DL Diffused Lens ²	SCP Sensor Control Programmable ^{5,6}	PCA-C Photocontrol Adaptor Contemporary	347 347V
5"ODX188" Slips outside A 5" ODX188" Pole			PCA-T Photocontrol Adaptor Traditional	480 480V
PT3 Slips over A 3" OD Tenon			EPA-C Egress Adaptor Contemporary	
PT23 Slips over A 2 3/8" OD Tenon			EPA-T Egress Adaptor Traditional	
PM1 PM1				
PM2 PM2				
PM3 PM3				
SLA1 SLA1				
SLA1-2 SLA1-2				
TRA5U-4 TRA5U-4				
TRA6U-4 TRA6U-4				
SLA8U-4 SLA8U-4				
SLA22U-4 SLA22U-4				
TRA5U-5 TRA5U-5				
TRA6U-5 TRA6U-5				
SLA8U-5 SLA8U-5				
SLA22U-5 SLA22U-5				
Wall Mount				
WMA35U WMA35U				
WMA36U WMA36U				
WMA7 WMA7				
WMA9U WMA9U				
WMA22U WMA22U				

DIMENSIONS



Notes:

- 1 Wild life friendly
- 2 Diffused Lens is available only with T3 and T5W distribution
- 3 House side Shield is available only with T1, T2, T3 and T4W distributions
- 4 Consult factory
- 5 SCP only available with no lens.
- 6 Order at least one SCP-REMOTE per project location to program and control the occupancy sensor

DELIVERED LUMENS

The table below shows the delivered lumens for the various lumen outputs and beam distributions. Use this chart in connection with the lumen factor (LF) capability to deliver any output required.

LED #	Drive Current	Lumen Package	Lens	Distribution	3000K 70CRI				4000K 70CRI				5000K 70CRI								
					Lumen	Bug Rating			Efficacy (Lm/W)	Lumen	Bug Rating			Efficacy (Lm/W)	Lumen	Bug Rating			Efficacy (Lm/W)		
72	285	450mA Microcore Crossover	None	1	7624	1	0	1	119.9	7941	1	0	1	124.9	8199	1	0	1	128.9		
				2	7246	1	0	2	113.9	7548	1	0	2	118.7	7793	1	0	2	122.5		
				3	7191	1	0	2	113.1	7490	1	0	2	117.8	7734	1	0	2	121.6		
				4	7087	1	0	3	111.4	7382	1	0	3	116.1	7622	1	0	3	119.8		
				1-HS	4045	0	0	1	63.6	4213	0	0	1	66.2	4350	0	0	1	68.4		
				2-HS	3541	0	0	1	55.7	3689	0	0	1	58.0	3808	0	0	1	59.9		
				3-HS	3395	0	0	1	53.4	3536	0	0	1	55.6	3651	0	0	1	57.4		
				4-HS	3300	0	0	1	51.9	3438	0	0	1	54.0	3549	0	0	1	55.8		
				5Q	7369	2	0	1	115.9	7675	3	0	1	120.7	7925	3	0	1	124.6		
				5W	6863	3	0	1	107.9	7148	3	0	1	112.4	7380	3	0	1	116.0		
				Clear	1-CL	6483	1	0	1	101.9	6752	1	0	1	106.2	6972	1	0	1	109.6	
					2-CL	6161	1	0	1	96.9	6417	1	0	1	100.9	6626	1	0	1	104.2	
					3-CL	6115	1	0	2	96.1	6369	1	0	2	100.1	6576	1	0	2	103.4	
					4-CL	6026	1	0	2	94.8	6277	1	0	2	98.7	6481	1	0	2	101.9	
	1-CL-HS	3439	0		0	1	54.1	3582	0	0	1	56.3	3699	0	0	1	58.2				
	2-CL-HS	3011	0		0	1	47.3	3136	0	0	1	49.3	3238	0	0	1	50.9				
	3-CL-HS	2886	0		0	1	45.4	3006	0	0	1	47.3	3104	0	0	1	48.8				
	4-CL-HS	2806	0		0	1	44.1	2923	0	0	1	46.0	3018	0	0	1	47.5				
	5Q-CL	6265	2		0	1	98.5	6526	2	0	1	102.6	6738	2	0	1	105.9				
	5W-CL	5835	3		0	1	91.7	6078	3	0	1	95.6	6275	3	0	1	98.7				
	Diffused	3-DL	4884		1	0	1	76.8	5087	1	0	1	80.0	5252	1	0	1	82.6			
		5W-DL	4660		2	0	1	73.3	4854	2	0	1	76.3	5012	2	0	1	78.8			
	335	8500			None	1	8796	1	0	1	116.5	9162	1	0	1	121.4	9460	1	0	1	125.6
						2	8360	2	0	2	110.7	8708	2	0	2	115.3	8991	2	0	2	119.1
				3		8297	1	0	2	110.1	8642	2	0	2	115.0	8923	2	0	2	118.8	
				4		8177	1	0	3	108.3	8517	1	0	3	112.8	8794	1	0	3	116.4	
				1-HS		4667	0	0	1	61.8	4861	0	0	1	64.4	5019	0	0	1	66.9	
				2-HS		4086	0	0	1	54.1	4256	0	0	1	56.4	4394	0	0	1	58.4	
3-HS				3917		0	0	1	51.9	4079	0	0	1	54.0	4212	0	0	1	56.1		
4-HS				3808		0	0	1	50.4	3966	0	0	1	52.5	4095	0	0	1	54.5		
5Q				8502		3	0	1	112.6	8855	3	0	1	117.3	9143	3	0	1	121.6		
5W				7918		3	0	2	104.9	8247	3	0	2	109.2	8515	3	0	2	113.0		
Clear				1-CL		7479	1	0	1	99.0	7790	1	0	1	103.2	8044	1	0	1	106.5	
				2-CL		7108	1	0	2	94.1	7404	1	0	2	98.0	7645	1	0	2	101.2	
				3-CL		7055	1	0	2	93.4	7348	1	0	2	97.3	7587	1	0	2	100.5	
				4-CL		6953	1	0	3	92.1	7242	1	0	3	95.9	7477	1	0	3	99.0	
		1-CL-HS	3968	0	0	1	52.5	4133	0	0	1	54.7	4268	0	0	1	56.5				
		2-CL-HS	3474	0	0	1	46.0	3618	0	0	1	47.9	3736	0	0	1	49.5				
		3-CL-HS	3330	0	0	1	44.1	3469	0	0	1	45.9	3581	0	0	1	47.4				
		4-CL-HS	3238	0	0	1	42.9	3372	0	0	1	44.7	3482	0	0	1	46.1				
		5Q-CL	7229	2	0	1	95.7	7529	2	0	1	99.7	7774	3	0	1	102.9				
		5W-CL	6732	3	0	1	89.1	7012	3	0	1	92.9	7240	3	0	1	95.9				
		Diffused	3-DL	5613	1	0	1	74.4	5847	2	0	1	77.5	6037	2	0	1	80.0			
			5W-DL	5397	2	0	1	71.5	5621	2	0	1	74.5	5804	2	0	1	77.0			

DELIVERED LUMENS (CONTINUED)

The table below shows the delivered lumens for the various lumen outputs and beam distributions. Use this chart in connection with the lumen factor (LF) capability to deliver any output required.

LED #	Drive Current	Lumen Package	Lens	Distribution	3000K 70CRI				4000K 70CRI				5000K 70CRI								
					Lumen	Bug Rating			Efficacy (Lm/W)	Lumen	Bug Rating			Efficacy (Lm/W)	Lumen	Bug Rating			Efficacy (Lm/W)		
72	430	700mA Microcore Crossover	None	1	10936	1	0	1	112.5	11390	1	0	1	117.2	11761	1	0	1	121.0		
				2	10393	2	0	2	106.9	10826	2	0	2	111.4	11178	2	0	2	115.0		
				3	10315	2	0	2	106.1	10744	2	0	2	110.5	11093	2	0	3	114.1		
				4	10166	2	0	3	104.6	10588	2	0	3	108.9	10933	2	0	3	112.5		
				1-HS	5802	0	0	1	59.7	6043	0	0	1	62.2	6240	0	0	1	64.2		
				2-HS	5079	0	0	1	52.3	5291	0	0	1	54.4	5463	0	0	1	56.2		
				3-HS	4869	0	0	1	50.1	5071	0	0	1	52.2	5236	1	0	1	53.9		
				4-HS	4734	0	0	1	48.7	4931	1	0	1	50.7	5091	1	0	1	52.4		
				5Q	10569	3	0	1	108.7	11009	3	0	1	113.3	11367	3	0	1	116.9		
				5W	9843	3	0	2	101.3	10252	3	0	2	105.5	10586	3	0	2	108.9		
				Clear	1-CL	9298	1	0	1	95.7	9685	1	0	1	99.6	10000	1	0	1	102.9	
					2-CL	8837	2	0	2	90.9	9205	2	0	2	94.7	9504	2	0	2	97.8	
					3-CL	8770	2	0	2	90.2	9135	2	0	2	94.0	9432	2	0	2	97.0	
					4-CL	8644	1	0	3	88.9	9003	1	0	3	92.6	9296	1	0	3	95.6	
	1-CL-HS	4933	0		0	1	50.8	5138	0	0	1	52.9	5305	0	0	1	54.6				
	2-CL-HS	4319	0		0	1	44.4	4498	0	0	1	46.3	4645	0	0	1	47.8				
	3-CL-HS	4140	0		0	1	42.6	4312	0	0	1	44.4	4452	0	0	1	45.8				
	4-CL-HS	4025	0		0	1	41.4	4192	0	0	1	43.1	4329	0	0	1	44.5				
	5Q-CL	8987	3		0	1	92.5	9360	3	0	1	96.3	9665	3	0	1	99.4				
	5W-CL	8369	3		0	2	86.1	8717	3	0	2	89.7	9001	3	0	2	92.6				
	Diffused	3-DL	7005		2	0	2	72.1	7296	2	0	2	75.1	7533	2	0	2	77.5			
		5W-DL	6684		2	0	1	68.8	6962	2	0	1	71.6	7189	2	0	1	74.0			
	500	12000			None	1	12455	1	0	1	108.8	12973	1	0	1	113.3	13394	2	0	1	117.0
						2	11837	2	0	2	103.4	12329	2	0	2	107.7	12730	2	0	2	111.2
				3		11748	2	0	3	102.6	12236	2	0	3	106.9	12634	2	0	3	110.4	
				4		11578	2	0	3	101.2	12059	2	0	3	105.4	12451	2	0	3	108.8	
				1-HS		6608	0	0	1	57.7	6883	0	0	1	60.1	7106	0	0	1	62.1	
				2-HS		5785	1	0	1	50.5	6026	1	0	1	52.6	6221	1	0	1	54.4	
3-HS				5545		1	0	1	48.4	5776	1	0	1	50.5	5964	1	0	1	52.1		
4-HS				5391		1	0	1	47.1	5615	1	0	2	49.1	5798	1	0	2	50.7		
5Q				12037		3	0	1	105.2	12538	3	0	1	109.5	12945	3	0	1	113.1		
5W				11210		4	0	2	97.9	11677	4	0	2	102.0	12056	4	0	2	105.3		
Clear				1-CL		10590	1	0	1	92.5	11030	1	0	1	96.4	11389	1	0	1	99.5	
				2-CL		10065	2	0	2	87.9	10483	2	0	2	91.6	10824	2	0	2	94.6	
				3-CL		9989	2	0	2	87.3	10404	2	0	2	90.9	10742	2	0	2	93.9	
				4-CL		9844	2	0	3	86.0	10254	2	0	3	89.6	10587	2	0	3	92.5	
		1-CL-HS	5618	0	0	1	49.1	5852	0	0	1	51.1	6042	0	0	1	52.8				
		2-CL-HS	4919	0	0	1	43.0	5123	0	0	1	44.8	5290	0	0	1	46.2				
		3-CL-HS	4715	0	0	1	41.2	4911	0	0	1	42.9	5071	0	0	1	44.3				
		4-CL-HS	4584	0	0	1	40.0	4775	1	0	1	41.7	4930	1	0	1	43.1				
		5Q-CL	10235	3	0	1	89.4	10661	3	0	1	93.1	11007	3	0	1	96.2				
		5W-CL	9532	3	0	2	83.3	9928	3	0	2	86.7	10251	3	0	2	89.6				
		Diffused	3-DL	7978	2	0	2	69.7	8309	2	0	2	72.6	8580	2	0	2	75.0			
			5W-DL	7613	2	0	1	66.5	7930	3	0	2	69.3	8187	3	0	2	71.5			

DELIVERED LUMENS (CONTINUED)

The table below shows the delivered lumens for the various lumen outputs and beam distributions. Use this chart in connection with the lumen factor (LF) capability to deliver any output required.

LED #	Drive Current	Lumen Package	Lens	Distribution	3000K 70CRI				4000K 70CRI				5000K 70CRI						
					Lumen	Bug Rating			Efficacy (Lm/W)	Lumen	Bug Rating			Efficacy (Lm/W)	Lumen	Bug Rating			Efficacy (Lm/W)
72	700	16000	None	1	16349	2	0	2	102.9	17028	2	0	2	107.2	17582	2	0	2	110.7
				2	15538	2	0	2	97.8	16184	3	0	3	101.9	16710	3	0	3	105.2
				3	15421	2	0	3	97.1	16062	2	0	3	101.1	16584	2	0	3	104.4
				4	15198	2	0	4	95.7	15830	2	0	4	99.6	16344	2	0	4	102.9
				1-HS	8674	1	0	1	54.6	9034	1	0	1	56.9	9328	1	0	1	58.7
				2-HS	7594	1	0	1	47.8	7909	1	0	1	49.8	8167	1	0	1	51.4
				3-HS	7279	1	0	2	45.8	7582	1	0	2	47.7	7828	1	0	2	49.3
				4-HS	7077	1	0	2	44.5	7371	1	0	2	46.4	7611	1	0	2	47.9
				5Q	15801	4	0	2	99.5	16458	4	0	2	103.6	16993	4	0	2	107.0
				5W	14715	4	0	2	92.6	15327	4	0	2	96.5	15826	4	0	2	99.6
			Clear	1-CL	13901	2	0	1	87.5	14479	2	0	2	91.1	14950	2	0	2	94.1
				2-CL	13212	2	0	2	83.2	13761	2	0	2	86.6	14208	2	0	2	89.4
				3-CL	13112	2	0	3	82.5	13657	2	0	3	86.0	14101	2	0	3	88.8
				4-CL	12922	2	0	3	81.3	13459	2	0	3	84.7	13897	2	0	3	87.5
				1-CL-HS	7375	0	0	1	46.4	7682	0	0	1	48.4	7931	1	0	1	49.9
				2-CL-HS	6457	1	0	1	40.6	6725	1	0	1	42.3	6944	1	0	1	43.7
				3-CL-HS	6189	1	0	1	39.0	6447	1	0	1	40.6	6656	1	0	2	41.9
				4-CL-HS	6017	1	0	2	37.9	6268	1	0	2	39.5	6471	1	0	2	40.7
			Diffused	5Q-CL	13435	3	0	1	84.6	13994	3	0	2	88.1	14449	3	0	2	90.9
				5W-CL	12512	4	0	2	78.8	13032	4	0	2	82.0	13456	4	0	2	84.7
				3-DL	10472	2	0	2	65.9	10907	2	0	2	68.7	11262	2	0	2	70.9
				5W-DL	9993	3	0	2	62.9	10409	3	0	2	65.5	10747	3	0	2	67.6

PHOTOMETRY

SLVT2-72L-700-4K7-1

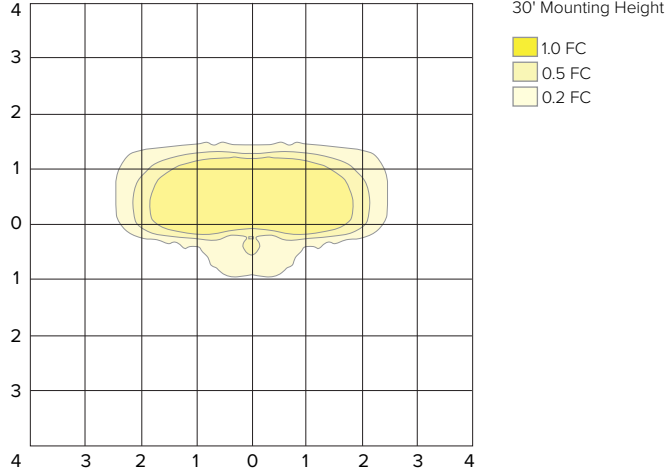
LUMINAIRE DATA

Description	4000 Kelvin, 70CRI
Delivered Lumens	17028
Watts	158.9
Efficacy	107.2
IES Type	I
BUG Rating	B2-U0-G2
Mounting Height	30 ft
Grid Scale	30 ft

ZONAL LUMEN SUMMARY

Zone	Lumens	% Luminaire
Downward Street Side	14666	86%
Downward House Side	2362	14%
Downward Total	17028	100%
Upward Street Side	0	0%
Upward House Side	0	0%
Upward Total	0	0%
Total Flux	17028	100%

ISOFOOT CANDLE PLOT



SLVT2-72L-700-4K7-2

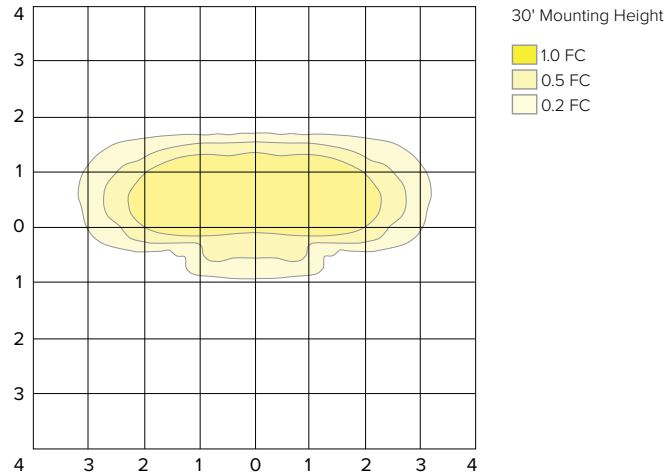
LUMINAIRE DATA

Description	4000 Kelvin, 70CRI
Delivered Lumens	16184
Watts	158.9
Efficacy	101.9
IES Type	II
BUG Rating	B3-U0-G3
Mounting Height	30 ft
Grid Scale	30 ft

ZONAL LUMEN SUMMARY

Zone	Lumens	% Luminaire
Downward Street Side	13166	81%
Downward House Side	3018	19%
Downward Total	16184	100%
Upward Street Side	0	0%
Upward House Side	0	0%
Upward Total	0	0%
Total Flux	16184	100%

ISOFOOT CANDLE PLOT



SLVT2-72L-700-4K7-3

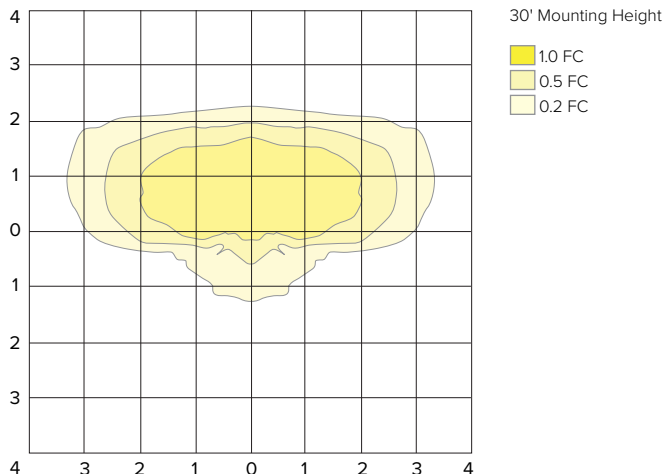
LUMINAIRE DATA

Description	4000 Kelvin, 70CRI
Delivered Lumens	16062
Watts	158.9
Efficacy	101.1
IES Type	III
BUG Rating	B2-U0-G3
Mounting Height	30 ft
Grid Scale	30 ft

ZONAL LUMEN SUMMARY

Zone	Lumens	% Luminaire
Downward Street Side	13411	83%
Downward House Side	2651	17%
Downward Total	16062	100%
Upward Street Side	0	0%
Upward House Side	0	0%
Upward Total	0	0%
Total Flux	16062	100%

ISOFOOT CANDLE PLOT



PHOTOMETRY

SLVT2-72L-700-4K7-4W

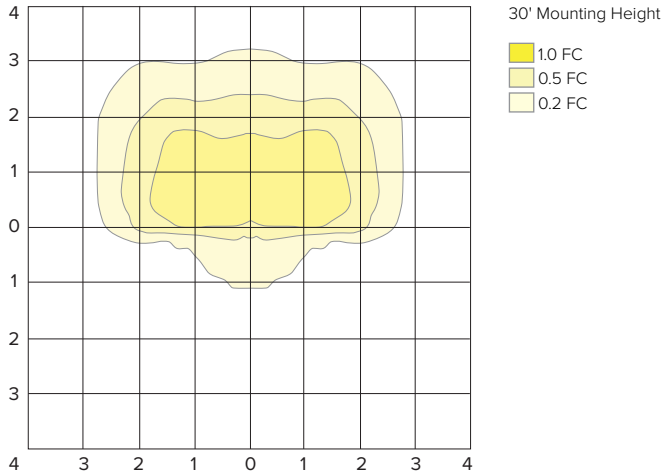
LUMINAIRE DATA

Description	4000 Kelvin, 70CRI
Delivered Lumens	15830
Watts	158.9
Efficacy	99.6
IES Type	IV
BUG Rating	B2-U0-G4
Mounting Height	30 ft
Grid Scale	30 ft

ZONAL LUMEN SUMMARY

Zone	Lumens	% Luminaire
Downward Street Side	13680	86%
Downward House Side	2150	14%
Downward Total	15830	100%
Upward Street Side	0	0%
Upward House Side	0	0%
Upward Total	0	0%
Total Flux	15830	100%

ISOFOOT CANDLE PLOT



SLVT2-72L-700-4K7-5Q

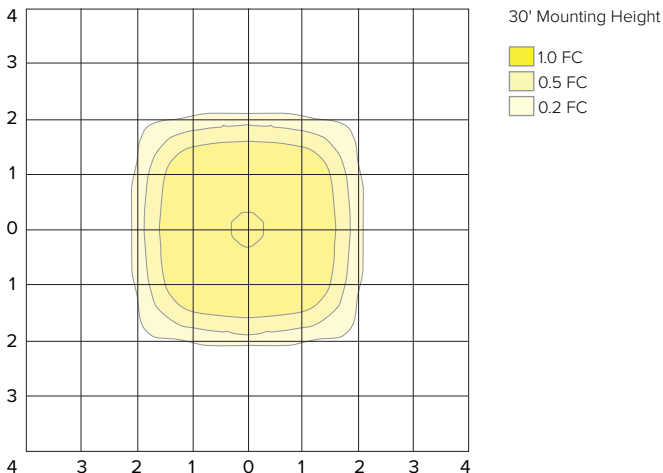
LUMINAIRE DATA

Description	4000 Kelvin, 70CRI
Delivered Lumens	16458
Watts	158.9
Efficacy	103.6
IES Type	VS
BUG Rating	B4-U0-G2
Mounting Height	30 ft
Grid Scale	30 ft

ZONAL LUMEN SUMMARY

Zone	Lumens	% Luminaire
Downward Street Side	8229	50%
Downward House Side	8229	50%
Downward Total	16458	100%
Upward Street Side	0	0%
Upward House Side	0	0%
Upward Total	0	0%
Total Flux	16458	100%

ISOFOOT CANDLE PLOT



SLVT2-72L-700-4K7-5W

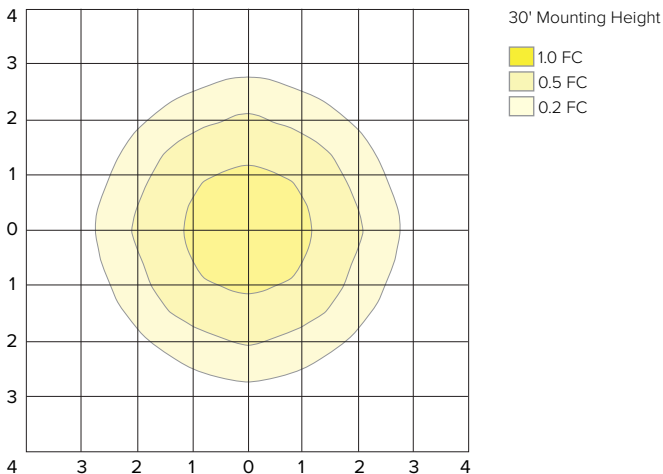
LUMINAIRE DATA

Description	4000 Kelvin, 70CRI
Delivered Lumens	15327
Watts	158.9
Efficacy	96.5
IES Type	VS
BUG Rating	B4-U0-G2
Mounting Height	30 ft
Grid Scale	30 ft

ZONAL LUMEN SUMMARY

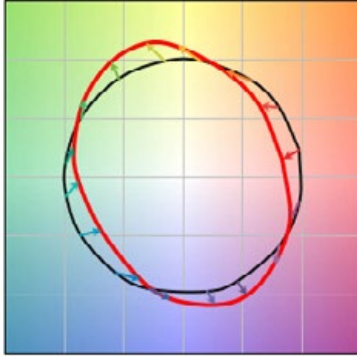
Zone	Lumens	% Luminaire
Downward Street Side	7664	50%
Downward House Side	7664	50%
Downward Total	15327	100%
Upward Street Side	0	0%
Upward House Side	0	0%
Upward Total	0	0%
Total Flux	15327	100%

ISOFOOT CANDLE PLOT



TM-30 DATA

COLOR VECTOR GRAPHIC

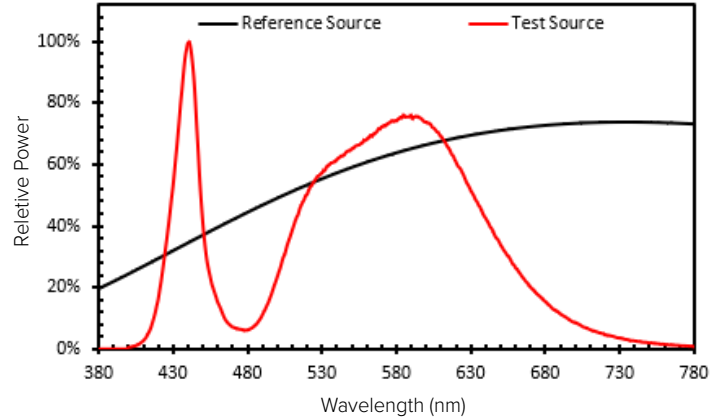


— Reference Illuminant — Test Source

TEST SOURCE

MBM TEST RESULTS	
CCT (K)	3947
CIE Ra	72
Duv	0.0004
x	0.3831
y	0.3793
Rf	68
Rg	99

SPECTRAL POWER DISTRIBUTION COMPARISON



ELECTRICAL DATA

System Current	System Watts	Electrical								Dimming						
		Line Voltage		Amps AC						Min. Power Factor	Max THD (%)	Dimming Range	Source current out of 0-10V		Absolute voltage range on 0-10V (+)	
		VAC	HZ	120	208	240	277	347	480				Min	Max	Min	Max
285 mA	63.6	120-277	50/60	0.53	0.31	0.27	0.23	0.18	0.13	>0.9	20	10% to 100%	0mA	1mA	0V	10V
335 mA	75.5			0.63	0.36	0.31	0.27	0.22	0.16							
430 mA	97.2			0.81	0.47	0.41	0.35	0.28	0.20							
500 mA	114.5			0.95	0.55	0.48	0.41	0.33	0.24							
700 mA	158.9			1.32	0.76	0.66	0.57	0.46	0.33							

AMBER MULTIPLIER	
CCT	MULTIPLIER
5000K	1
AM	0.1727

2700K MULTIPLIER	
CCT	MULTIPLIER
5000K	1
2700K	0.897

LENS OPTION MULTIPLIER	
CLEAR LENS	DIFFUSED LENS
0.8502	0.6791