

DATE:	LOCATION:
TYPE:	PROJECT:
CATALOG #:	

FEATURES

- Reliable, efficient operation
- Type 2, 3, 4, 5 distributions
- 3000K, 4000K and 5000K CCTs
- 0-10V dimming ready
- Integral surge protection
- IP65



Spectra



Spectra Large

SPECIFICATIONS

CONSTRUCTION

- Luminaire housings shall be cast aluminum, A356 alloy
- Outer lens shall be clear acrylic and sealed to the housing with a molded silicone gasket on the top and bottom
- Vertical struts shall be 316 stainless steel tubing
- All internal and external hardware shall be stainless steel
- Hoods shall have hemmed or beaded edges for added strength
- The underside of the hoods are painted to match the fixture color
- Luminaire finish shall consist of a five stage pretreatment regimen with a polymer primer sealer, oven dry off, and top coated with a thermoset super TGIC polyester powder coat finish.
- Luminaire finish shall meet the AAMA 605.2 performance specification which includes passing a 3000 hour salt spray test for corrosion resistance

OPTICAL MODULE

- Light emitting diode (LED) assembly shall be sealed to a die-cast anodized aluminum heat sink with an injection molded silicone rubber gasket and stainless steel bezel, IP66
- LED optics shall be injection molded PMMA acrylic and be mounted to a metal printed circuit board with a uniform conformal coating over the panel surface and electrical features

INSTALLATION

- The electrical assembly shall be mounted to a prewired internal service tray and accessed by loosening two captive bolts and lifting off the top of the luminaire
- The pole mounted arm for a single fixture (SAP) and pole mounted arm for two fixtures at 180° (TAP) shall have a cast aluminum post top and fixture fitter with two round horizontal stainless steel bars.
- The post fitter shall slip over a 4"/100 mm pole and be secured with six stainless steel set screws
- The wall mounted arms for a SP1 fixture shall have a cast aluminum wall plate, cover and fixture fitter with two round horizontal stainless steel bars. The cover shall secure to the wall plate with four stainless steel set screws.

ELECTRICAL

- Luminaires shall accept 120 thru 277 50/60Hz input voltage have integral surge protection and wire leads for controls
- Drivers shall be U.L recognized, have a minimum starting temperature of -30°C and have a 0-10v dimming interface with a dimming range of 10-100%
- Drivers shall have a power factor ≥ 0.90 and THD of $\leq 20\%$ at full load with an inrush current maximum of < 20.0 Amps maximum at 230VAC
- Drivers shall not be compatible with current sourcing dimmers, consult factory for current list of known compatible dimming systems
- Approved dimmers include Lutron Diva AVTV, Lutron Nova NFTV and NTFTV

ELECTRICAL (CONTINUED)

- LifeShield™ shall be provided with all configurations for added protection in the event of abnormally excessively high ambient temperature conditions
- Surge protector shall be U.L. recognized and have a surge current rating of 10,000 Amps using the industry standard 8/20uSec wave and surge rating of 372J

CONTROLS

- SCP shall have an integral surge protection device with a current rating of 10,000 Amps using the industry standard 8/20uSec wave and surge rating of 372J
- Sensor not intended for use with additional photo-control, wireless control or dimming systems

CERTIFICATIONS

- Luminaire shall be listed with ETL for outdoor, wet location use, UL1598, UL 8750 and Canadian CSA Std. C22.2 no.250

WARRANTY

- 5 year warranty

KEY DATA	
Lumen Range	1153
Wattage Range	33
Efficacy Range (LPW)	34.9
Weight	42 lbs / 19.05 kg
EPA	1.08 - 1.13

ORDERING GUIDE

Example: SP1-ANG-Y2-32LED-4K-550-BLS-SCP-SAP1

CATALOG #

HOUSING

Luninaire		Hood Style		Optical System		Color Temperature		Drive Current		Color			
SP1	Spectra large scale. Slips over a 4"/100mm pole	ANG	Angled	Y2-32LED	Type 2	3K	3000K Warm White	120 thru 277 volts		BLS	Black Gloss Smooth		
		FLR	Flared	Y3-32LED	Type 3, 4K is DLC complaint	4K	4000K Neutral White	550 550mA, 57 watts		BLT	Black Matte Textured		
		STR	Straight	Y4-32LED	Type 4	5K	5000K Bright White			DBS	Dark Bronze Gloss Smooth		
		DBL	Double	Y5-32LED	Type 5			GTT	Graphite Matte Textured	DBT	Dark Bronze Matte Textured		
										LGS	Light Grey Gloss Smooth	LGT	Light Grey Matte Textured
										PSS	Platinum Silver Gloss Smooth	VGT	Verde Green Matte Textured
										WHS	White Gloss Smooth	WHT	White Matte Textured
											Color Option		
											CC Custom Color ¹		

Options		Mounting (Optional)	
AD5	SP1 adaptor. Designed to slip over a 5"/127mm O.D. pole	All arms regardless of hood diameter have a 4"/100mm distance from the edge of the shade to the pole centerline or face of the wall.	
LDL	Lightly diffused lens		
SCP	Sensor Control Programmable pole accessory is available to provide occupancy detection for outdoor applications meeting California Title 24	AWM1	Wall plate is 8.5"/216mm x 4.75"/120mm
		SAP1	Pole Mount slips over a 4"/100mm pole
		TAP1	Pole Mount slips over a 4"/100mm pole.

Notes:

1 Consult factory for custom color, marine and corrosive finish options

LUMEN OUTPUT

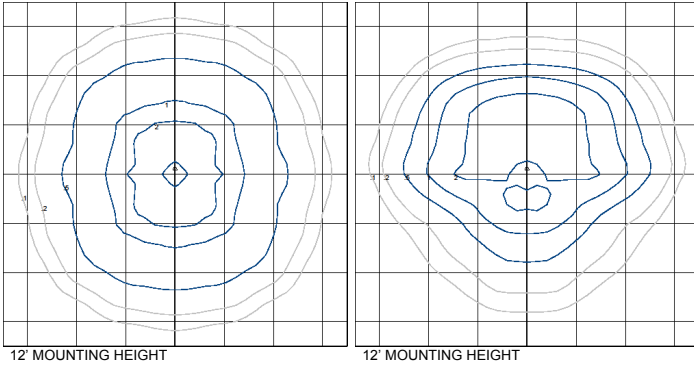
PERFORMANCE DATA (32 LEADS, 550 MA DRIVE CURRENT, 57 WATTS)

TYPE	LENS	5K					4K					3K					AMPS@ 120VAC	AMPS@ 277VAC
		LUMENS	LPW	B	U	G	LUMENS	LPW	B	U	G	LUMENS	LPW	B	U	G		
Y2	Clear (std.)	4129	72.4	1	2	1	3948	69.3	1	2	1	3041	53.4	1	2	1	0.5	0.2
Y3		3964	69.5	1	2	1	3790	66.5	1	2	1	2920	51.2	1	2	1		
Y4		4177	73.3	1	2	1	3994	70.1	1	2	1	3077	54.0	1	2	1		
Y5	LDL	3807	66.8	2	2	1	3640	63.9	2	2	1	2804	49.2	2	2	1		
Y2		3461	60.7	1	2	1	3323	58.3	1	2	1	2549	44.7	1	2	1		
Y3		3268	57.3	1	2	1	3138	55.1	1	2	1	2407	42.2	1	2	1		
Y4		3486	61.2	1	2	1	3347	58.7	1	2	1	2567	45.0	1	2	1		
Y5	3195	56.1	2	2	1	3068	53.8	2	2	1	2353	41.3	1	2	1			
CCT AVERAGE		5000K					4000K					3000K						
CRI MINIMUM		≤70					≤70					≤80						

ISOLINE TEMPLATE

SP1-FLR-Y5-32LED-5K-550

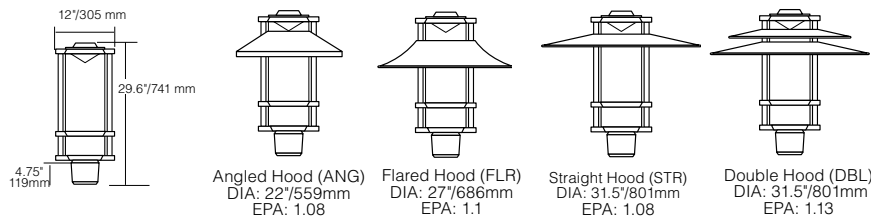
SP1-FLR-Y3-32LED-5K-550



PROJECTED LUMEN MAINTENANCE

AMBIENT TEMP.	0	25,000	50,000	*TM-21-11 60,000	100,000	PROJECTED L70 (hours)
25°C/77°F	100%	96%	94%	93%	90%	>60,000
40°C/104°F	100%	94%	91%	90%	86%	>60,000

DIMENSIONS



Hood Style	A	B
Angled (ANG)	15"/375mm	30"/750mm
Flared (FLR)	17 1/2"/438mm	35"/875mm
Straight (STR)	21 3/4"/544mm	43 1/2"/1,088mm
Double (DBL)	21 3/4"/544mm	43 1/2"/1,088mm

