

A2LED

2" LED ADJUSTABLE
120/277V



APPLICATIONS:

Architektür A2LED Series is a 2" specification grade LED adjustable luminaire that combines superior brightness control with energy savings and low maintenance costs. Suitable for a variety of commercial, retail, and institutional applications with ambient temperatures up to 35°C (7L) 25°C (9L, 12L) during operation with free airflow around the fixture.

J-TUBE ASSEMBLY:

Utilizing Prescolite's revolutionary J-Tube design and optimal thermal management, the A2LED eliminates the need for a traditional downlight housing. The J-Tube assembly combines the traditional J-Box and driver electronics into a compact form that can be installed and accessed from below the ceiling plane.

REFLECTOR & OPTICS:

High purity spun aluminum self-flanged reflector with iridescence suppressed Alzak anodized finishes. Also available with Prescolite's American Matte™ finish (MFC) SoftSheen™ or Softglow® finishes. Painted reflectors are also available. A smooth 35° optical pattern is adjustable up to 30° from vertical. The vertical aiming must be adjusted and locked before installation. Prescolite's spring loaded retention allows 360° horizontal aiming during installation.

LED LIGHT ENGINE:

Xicato LED Module has a fixture to fixture color consistency of less than 2 SDCM. Secured to an extruded aluminum heat sink for excellent thermal management providing optimal life and lumen maintenance (minimum 50,000 hours at 70% lumen maintenance).

LED DRIVER:

Energy efficient electronic constant current driver with 50,000 hour minimum anticipated life. Meets UL Class 2, FCC 47CFR Part 15, Class B compliant, inherent short-circuit protection, self limited, overload protected.

DIMMING:

Comes standard with 0-10V standard dimming capability. Flicker-free dimming to 10%. For sizing control systems, the 0-10V control circuit will draw up to 1 mA. Also available with 0-10V to below 1%.

CERTIFICATIONS:

CSA C/US certified to UL1598. Suitable for damp locations. Non-IC rated and 2IN/2OUT through branch wiring. For connection to flexible conduit only.

WARRANTY:

5 Year Warranty.

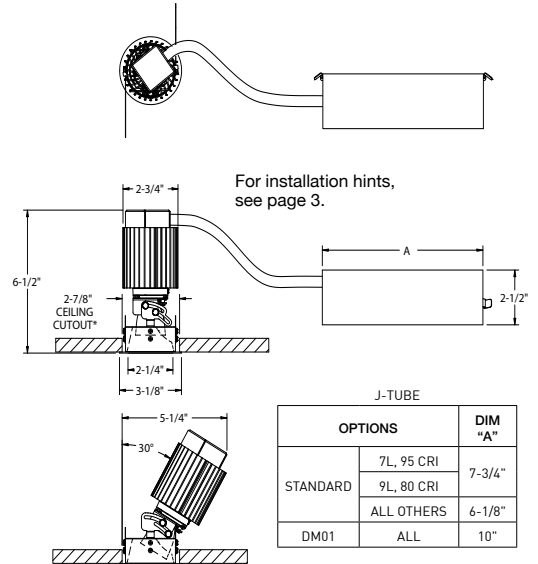
DATE: _____ TYPE: _____

FIRM NAME: _____

PROJECT: _____



Ceiling Cutout: 2 7/8"
 Ceiling Thickness 1/2"-1 1/4"
 Not to Scale



CATALOG NUMBER:

EXAMPLE: A2LED-2A9LED9L30K8FL35WCWT

Order accessories separately

J-TUBE ASSEMBLY	VOLTAGE	LIGHT ENGINE	OUTPUT	LED COLOR	CRI	BEAM ANGLE	LOWER REF. FINISH ²	LOWER REF. COLORS ³	FLANGE OPTIONS ^{3,4}	ACCESSORIES
<input type="checkbox"/> A2LED J-Tube Assembly with Standard 0-10V 10% Dimming	Standard 120/277V OPTIONS Standard 0-10V 10% Dimming <input type="checkbox"/> DM01 ⁵ eLdoLED 0-10V dimming to less than 1%	<input type="checkbox"/> 2A9LED 2" Open Reflector/Light Engine Assembly with Xicato module	<input type="checkbox"/> 7L 700 Delivered Lumens <input type="checkbox"/> 9L 900 Delivered Lumens <input type="checkbox"/> 12L 1200 Delivered Lumens	<input type="checkbox"/> 27K 2700 Kelvin <input type="checkbox"/> 30K 3000 Kelvin <input type="checkbox"/> 35K 3500 Kelvin <input type="checkbox"/> 40K 4000 Kelvin	<input type="checkbox"/> 8⁷ Nominal 80+ CRI <input type="checkbox"/> 9¹ Nominal 95+ CRI	<input type="checkbox"/> FL35 Nominal 35° cutoff	Standard Specular <input type="checkbox"/> SS Semi-Specular <input type="checkbox"/> MFC American Matte™ <input type="checkbox"/> VS Softglow® <input type="checkbox"/> VSS SoftSheen™	Standard Clear Alzak <input type="checkbox"/> CG Champagne Gold Alzak <input type="checkbox"/> BL Black Alzak <input type="checkbox"/> LW Light Wheat Alzak <input type="checkbox"/> PW Pewter Alzak <input type="checkbox"/> BC Painted Flat Black Cone <input type="checkbox"/> WC Painted White Cone	Standard Anodized <input type="checkbox"/> WT White Trim Flange <input type="checkbox"/> BT Flat Black Trim Flange <input type="checkbox"/> CT Clear Trim Flange	<input type="checkbox"/> FMR2 2" Flush Mount Ring <input type="checkbox"/> D2FRM Mounting Frame <input type="checkbox"/> D2ICAT ^{4,5} IC Rated, Air Tight housing <input type="checkbox"/> D2CP ^{4,5} CCEA compliant housing <input type="checkbox"/> LiteGear ⁶ Inverter, single phase central lighting, 125VA-250VA <input type="checkbox"/> LPS Series ⁶ LitePower micro-inverter, 20VA-55VA

1 95+ CRI not available on 12L
 2 Upper reflector is always Specular
 3 With Alzak colors, flange will match lower reflector finish unless WT or BT is specified. CT is only applicable for painted cones (WC or BC) and WT, BT, or CT must be specified
 4 Available with 7L 80+ CRI only
 5 DM01 not compatible with D2ICAT or D2CP
 6 See Central Inverter compatibility note and web links on page 3
 7 80+ CRI not available with Standard 0-10V 10% Dimming+9L

A2LED

2" LED ADJUSTABLE
120/277V

ELECTRICAL DATA	7L		9L		12L
	80+ CRI	95 CRI	80+ CRI	95 CRI	80+ CRI
Input Voltage	120 or 277V	120 or 277V	120 or 277V	120 or 277V	120 or 277V
Input Frequency	50/60 Hz	50/60 Hz	50/60 Hz	50/60 Hz	50/60 Hz
Input Power (Watts)	11.6 W	17.2 W	14.3 W	22.7 W	19.2 W
Input Current (@120V)	0.098 A	0.140 A	0.120 A	0.190 A	0.162 A
Input Current (@277V)	0.042 A	0.062 A	0.052 A	0.082 A	0.070 A
Constant Current Output	550 mA	500 mA	450 mA	680 mA	700 mA
Power Factor	≥0.90	≥0.90	≥0.90	≥0.90	≥0.90
EMI Filtering (FCC 47CFR, Part 15)	Class B	Class B	Class B	Class B	Class B
Operating Temp	-30°C to 35°C	-30°C to 35°C	-30°C to 25°C	-30°C to 25°C	-30°C to 25°C

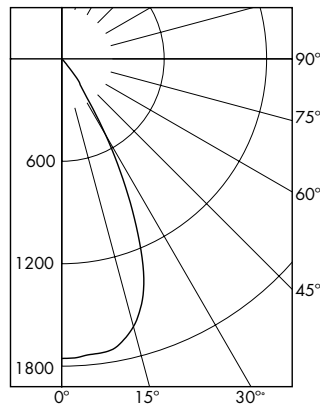
*Data for standard 0-10V 10% dimming models. Electrical and photometric data may vary slightly with other dimming options.

**Short circuit, over-voltage, over-current protection.

PERFORMANCE SUMMARY

Model	Output	Beam Distribution	Delivered Lumens	Input Watts	Lumens Per Watt	Full Catalog Number
A2LED	7L	FL35	702	11.6	60.5	A2LED-2A9LED7L30K8FL35
	9L	FL35	905	14.3	63.3	A2LED-2A9LED9L30K8FL35
	12L	FL35	1218	19.2	63.4	A2LED-2A9LED12L30K8FL35

A2LED-2A9LED12L30K8FL35
LED Light Engine: 3000K, 80 CRI
System Wattage: 19.2
Fixture delivered lumens: 1218
Fixture Efficacy: 63.4
Spacing Criteria: 0.77



CANDELA DISTRIBUTION

DEG	CANDELA
0	1755
5	1741
15	1624
25	980
35	197
45	16
55	4
65	1
75	0
85	0
90	0

ZONAL LUMEN SUMMARY

ZONE	LUMENS	%LUMINAIRE
0-30	1054	86.5
0-40	1198	98.3
0-60	1218	99.9
0-90	1218	100.0
0-180	1218	100.0

LUMINANCE DATA IN CANDELA/SQ. METER

Angle in Vertical	Average
45°	7917
55°	2440
65°	828
75°	0
85°	0

Test No. 17.02856

Tested at 25°C Ambient in accordance to IESNA LM-79-2008

COEFFICIENTS OF UTILIZATION Zonal Cavity Method

Room Cavity Ratio	% Effective Ceiling Cavity Reflectance																
	80%		70%		50%		30%		10%								
	70	50	30	10	70	50	30	10	50	30	10	50	30	10			
1	114	112	109	107	112	109	107	105	105	104	102	102	100	99	98	97	96
2	109	105	101	98	107	103	100	97	100	97	95	97	95	93	94	93	91
3	105	99	94	91	103	97	93	90	95	91	89	93	90	87	90	88	86
4	100	93	88	85	98	92	88	84	90	86	83	88	85	82	86	84	81
5	96	88	83	79	94	87	83	79	86	81	78	84	80	78	83	79	77
6	92	84	78	75	90	83	78	74	81	77	74	80	76	73	79	76	73
7	88	79	74	70	86	79	74	70	78	73	70	76	72	69	75	72	69
8	84	76	70	67	83	75	70	66	74	69	66	73	69	66	72	68	66
9	81	72	67	63	80	72	67	63	71	66	63	70	66	63	69	65	62
10	77	69	63	60	76	68	63	60	68	63	60	67	63	60	66	62	59

A2LED-2A9LED12L30K8FL35

Test No. 17.02856

A2LED

2" LED ADJUSTABLE
120/277V

CENTRAL INVERTERS

For full fixture output in back-up mode, we recommend you visit currentlighting.com/dual-lite for your Central Lighting Inverter options. Please contact your local Current representative for any assistance with proper sizing and loading of your inverter selection. Central lighting inverters must be ordered separately.

INSTALLATION HINTS

Daisy Chain:

Often times through branch wiring (Daisy Chaining) will be desired for installation of the A2LED in an application. There is one knock out available in the J-tube for the line voltage, and one for the low voltage control wires. To accomplish 2in/2out through branch wiring. Prescolite suggests the use of an Arlington Duplex Connector (PN 4040AST).

Ceiling Cut-out:

Due to the discrete trim flange on the D2LED, the accuracy of the 2-7/8" ceiling cut-out is critical to achieving the best results. Prescolite recommends making this cut-out with a 2-7/8" hole saw, such as one manufactured by the Morse Company (TAC46 and TACPD4).

Ceiling Clearance:

When no top access is available to the J-Tube, 8" of plenum clearance is recommended for the standard and sdriver/J-Tube options. For DM01 option, 10-1/2" plenum clearance is recommended.

DIMMING COMPATIBILITY

For more details and recommended dimmer list, see Dimming Compatibility Information on www.currentlighting.com/prescolite.

ADDITIONAL NOTES

*Note: Ceiling thickness maximum when using D2ICAT or D2CP is 5/8". Ceiling thickness maximum when using D2FRM is 1". Bar hangers not included, order B6 for ceiling joists up to 24" centers or B24 for T-bar ceilings.

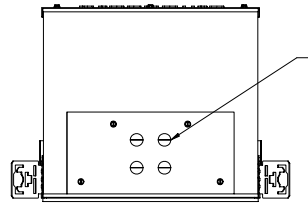
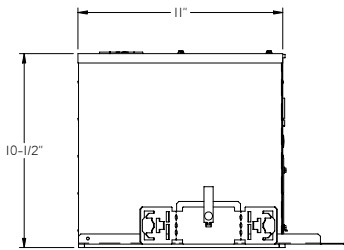
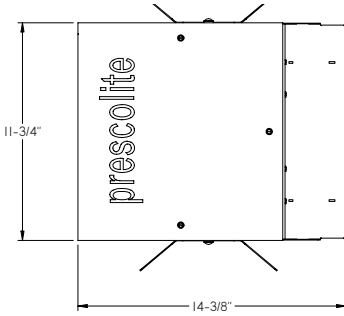
*Note: The standard product is designed and listed to be installed into most ceiling types without the use of an accessory frame. These frames are provided as an optional accessory to be used when desired by the end user to provide extra support or required by local code.

*Note: CP versions require the use of the D2ICAT accessory modified with metal plate in place of polycarbonate.

A2LED

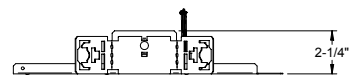
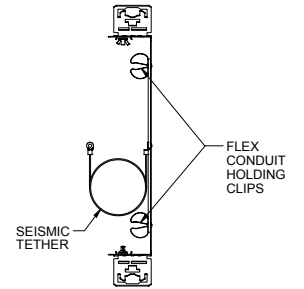
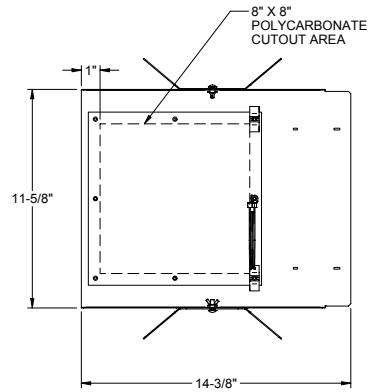
2" LED ADJUSTABLE
120/277V

ACCESSORIES

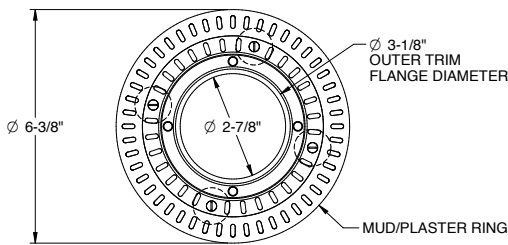
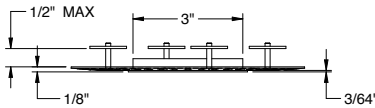


Entry Points
For 3/8" Max.
MC Flex.
See instruction sheet
for installation details.

D2ICAT/D2CP



D2FRM



FMR2