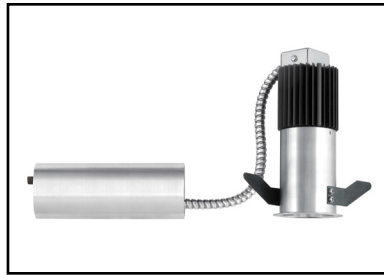


D2LED Lens

2" LED LENS DOWNLIGHT
120/277V



APPLICATIONS:

Architektür D2LED Series is a 2" specification grade LED lensed downlight that combines superior brightness control with energy savings and low maintenance costs. Suitable for a variety of commercial, retail, and institutional indoor and outdoor applications with ambient temperatures up to 35°C (9L) or 25°C (12L, 15L) during operation with free airflow around the fixture.

J-TUBE ASSEMBLY:

Utilizing Prescolite's revolutionary J-Tube design and optimal thermal management, the D2LED eliminates the need for a traditional downlight housing. The J-Tube assembly combines the traditional J-Box and driver electronics into a compact form that can be installed and accessed from below the ceiling plane.

REFLECTOR:

High purity spun aluminum self-flanged reflector with iridescence suppressed Alzak anodized finishes. Also available with Prescolite's American Matte™ (MFC), SoftSheen™ or Softglow® finishes. Painted reflectors are also available. Standard with 45° nominal beam distribution and available with 1" regressed lens and hexcell louver options or diffuse flush mount option.

LED LIGHT ENGINE:

Xicato LED Module has a fixture to fixture color consistency of less than 2 SDCM. Secured to an extruded aluminum heat sink for excellent thermal management providing optimal life and lumen maintenance (minimum 50,000 hours at 70% lumen maintenance).

LED DRIVER:

Energy efficient electronic constant current driver with 50,000 hour minimum anticipated life. Meets UL Class 2, FCC 47CFR Part 15, Class B compliant, inherent short-circuit protection, self limited, overload protected.

DIMMING:

Comes standard with 0-10V dimming capability. Flicker-free dimming to 10%. For sizing control systems, the 0-10V control circuit will draw up to 1 mA. Also available with 0-10V to below 1%.

CERTIFICATIONS:

CSA C/US certified to UL1598. Suitable for wet locations. Non-IC rated and 2IN/2OUT through branch wiring. For connection to flexible conduit only.

WARRANTY:

5 Year Warranty.

DATE: _____ TYPE: _____

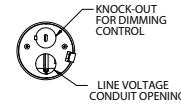
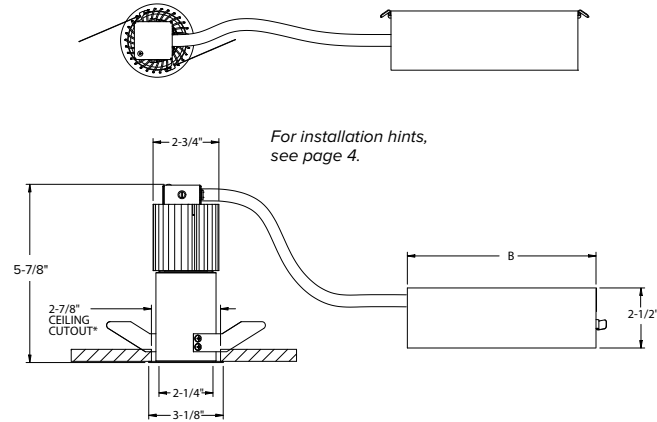
FIRM NAME: _____

PROJECT: _____

Architektür



Ceiling Cutout: 2 7/8"
Ceiling Thickness 1/2"-1 1/4"
Not to Scale



| J-TUBE | | |
|----------|-------------|---------|
| | OPTIONS | DIM "B" |
| STANDARD | 12L, 80 CRI | 7-3/4" |
| | ALL OTHERS | 6-1/8" |
| DM01 | ALL | 10" |

CATALOG NUMBER:

EXAMPLE: D2LED-2D9LED9L30K8WFL45SL

Order accessories separately

| J-TUBE ASSEMBLY | VOLTAGE | LIGHT ENGINE | OUTPUT | LED COLOR | CRI | BEAM ANGLE | REFLECTOR FINISH | REFLECTOR COLOR | FLANGE OPTIONS ² | ACCESSORIES |
|--|---|--|--|--|---|---|--|---|--|--|
| <input type="checkbox"/> D2LED J-Tube Assembly with Standard 0-10V 10% Dimming | Standard 120/277V Standard 0-10V 10% Dimming DM01 ³ eLdoLED 0-10V dimming to less than 1% | <input type="checkbox"/> 2D9LED 2" Open Reflector/Light Engine Assembly with Xicato module | <input type="checkbox"/> 9L 900 Delivered Lumens | <input type="checkbox"/> 27K 2700 Kelvin | <input type="checkbox"/> 8 Nominal 80+ CRI | <input type="checkbox"/> WFL45 Nominal 45° cutoff | <input type="checkbox"/> SS Semi-Specular | <input type="checkbox"/> CG Champagne Gold Alzak | <input type="checkbox"/> WT White Trim Flange | <input type="checkbox"/> FMR2 2" Flush Mount Ring <input type="checkbox"/> D2FRM Mounting Frame <input type="checkbox"/> D2ICAT ³ IC Rated, Air Tight housing <input type="checkbox"/> D2CP ³ CCEA compliant housing <input type="checkbox"/> LiteGear ¹ Inverter, single phase central lighting, 125VA-250VA <input type="checkbox"/> LPS Series ¹ LitePower micro-inverter, 20VA-55VA |
| | | | <input type="checkbox"/> 12L 1200 Delivered Lumens | <input type="checkbox"/> 30K 3000 Kelvin | <input type="checkbox"/> 9+ Nominal 95+ CRI | | <input type="checkbox"/> MFC American Matte™ | <input type="checkbox"/> BL Black Alzak | <input type="checkbox"/> BT Flat Black Trim Flange | |
| | | <input type="checkbox"/> 15L ^{3,4} 1500 Delivered Lumens | <input type="checkbox"/> 35K 3500 Kelvin | | | <input type="checkbox"/> LW Light Wheat Alzak | <input type="checkbox"/> PW Pewter Alzak | <input type="checkbox"/> BC Painted Flat Black Cone | <input type="checkbox"/> CL Clear, Regressed <input type="checkbox"/> DL Diffuse, Regressed <input type="checkbox"/> HB Hexcell Black, Regressed <input type="checkbox"/> FLU Diffuse, Flush <input type="checkbox"/> PL Prismatic, Regressed <input type="checkbox"/> SL Solite, Regressed | |
| | | | <input type="checkbox"/> 40K 4000 Kelvin | | | <input type="checkbox"/> VS Softglow® | <input type="checkbox"/> WC Painted White Cone | | | |
| | | | | | | <input type="checkbox"/> VSS SoftSheen™ | | | | |

¹ See Central Inverter compatibility note and web links on page 4
² For FLU option, no reflector color section is required. Either WT or BT flange must be selected
³ DM01, and 15L models are not compatible with D2ICAT or D2CP. See additional notes on page 4 for important product life/warranty information when using D2ICAT or D2CP with 12L 95 CRI
⁴ 15L with 95 CRI available only with DM01 driver option

D2LED Lens

2" LED LENS DOWNLIGHT
120/277V

| ELECTRICAL DATA | 9L | | 12L | | 15L |
|------------------------------------|---------------|---------------|---------------|---------------|---------------|
| | 80+ CRI | 95 CRI | 80+ CRI | 95 CRI | 80+ CRI |
| Input Voltage | 120 or 277V | 120 or 277V | 120 or 277V | 120 or 277V | 120 or 277V |
| Input Frequency | 50/60 Hz | 50/60 Hz | 50/60 Hz | 50/60 Hz | 50/60 Hz |
| Input Power (Watts) | 12.6 W | 19.0 W | 15.7 W | 23.4 W | 21.1 W |
| Input Current (@120V) | 0.106 A | 0.160 A | 0.132 A | 0.190 A | 0.180 A |
| Input Current (@277V) | 0.046 A | 0.069 A | 0.057 A | 0.085 A | 0.077 A |
| Constant Current Output | 610 mA | 560 mA | 500 mA | 700 mA | 700 mA |
| Power Factor | ≥0.90 | ≥0.90 | ≥0.90 | ≥0.90 | ≥0.90 |
| EMI Filtering (FCC 47CFR, Part 15) | Class B | Class B | Class B | Class B | Class B |
| Operating Temp | -30°C to 35°C | -30°C to 35°C | -30°C to 25°C | -30°C to 25°C | -30°C to 25°C |

Lumen Multipliers For Various Alzak Colors

| | |
|-------------------------|------|
| Clear Specular | 1.00 |
| Pewter Specular | 0.94 |
| Champagne Gold Specular | 0.96 |
| Light Wheat Specular | 0.84 |
| Black Specular | 0.62 |

Note: These values are based upon the WFL45 Reflectors.

*Data for standard 0-10V 10% dimming models. Electrical and photometric data may vary slightly with other dimming options. **Short circuit, over-voltage, over-current protection.

PERFORMANCE SUMMARY

| Model | Output | Lens/ Louver | Delivered Lumens | Input Watts | Lumens Per Watt | Full Catalog Number |
|-------|--------|---------------------|------------------|-------------|-----------------|-----------------------------|
| D2LED | 9L | Regressed Clear | 824 | 12.6 | 65.4 | D2LED-2D9LED9L30K8WFL45CL |
| | | Regressed Solite | 824 | 12.6 | 65.4 | D2LED-2D9LED9L30K8WFL45SL |
| | | Regressed Diffuse | 726 | 12.6 | 57.6 | D2LED-2D9LED9L30K8WFL45DL |
| | | Regressed Prismatic | 709 | 12.6 | 56.3 | D2LED-2D9LED9L30K8WFL45PL |
| | | Flush Diffuse | 690 | 12.6 | 54.8 | D2LED-2D9LED9L30K8WFL45FLU |
| | | Regressed Hexcell | 334 | 12.6 | 26.5 | D2LED-2D9LED9L30K8WFL45HB |
| | 12L | Regressed Clear | 1097 | 15.7 | 69.9 | D2LED-2D9LED12L30K8WFL45CL |
| | | Regressed Solite | 1098 | 15.7 | 69.9 | D2LED-2D9LED12L30K8WFL45SL |
| | | Regressed Diffuse | 967 | 15.7 | 61.6 | D2LED-2D9LED12L30K8WFL45DL |
| | | Regressed Prismatic | 645 | 15.7 | 60.2 | D2LED-2D9LED12L30K8WFL45PL |
| | | Flush Diffuse | 919 | 15.7 | 58.5 | D2LED-2D9LED12L30K8WFL45FLU |
| | | Regressed Hexcell | 445 | 15.7 | 28.3 | D2LED-2D9LED12L30K8WFL45HB |
| | 15L | Regressed Clear | 1459 | 21.1 | 69.1 | D2LED-2D9LED15L30K8WFL45CL |
| | | Regressed Solite | 1460 | 21.1 | 69.2 | D2LED-2D9LED15L30K8WFL45SL |
| | | Regressed Diffuse | 1286 | 21.1 | 60.9 | D2LED-2D9LED15L30K8WFL45DL |
| | | Regressed Prismatic | 1256 | 21.1 | 59.5 | D2LED-2D9LED15L30K8WFL45PL |
| | | Flush Diffuse | 1222 | 21.1 | 57.9 | D2LED-2D9LED15L30K8WFL45FLU |
| | | Regressed Hexcell | 592 | 21.1 | 28.1 | D2LED-2D9LED15L30K8WFL45HB |

D2LED-2D9LED15L30K8WFL45CL

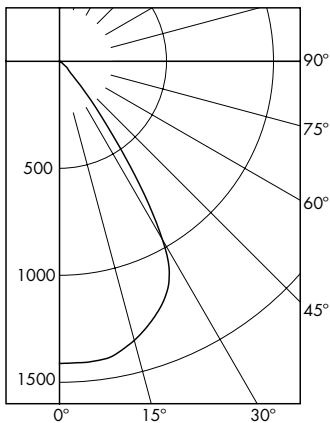
LED Light Engine: 3000K, 80 CRI
System Wattage: 21.1
Fixture delivered lumens: 1549
Fixture Efficacy: 69.1
Spacing Criteria: 0.95

ZONAL LUMEN SUMMARY

| ZONE | LUMENS | %LUMINAIRE |
|-------|--------|------------|
| 0-30 | 1050 | 71.9 |
| 0-40 | 1371 | 94.0 |
| 0-60 | 1453 | 99.6 |
| 0-90 | 1459 | 100.0 |
| 0-180 | 1459 | 100.0 |

LUMINANCE DATA IN CANDELA/SQ. METER

| Angle in Vertical | Average |
|-------------------|---------|
| 45° | 31667 |
| 55° | 10980 |
| 65° | 4967 |
| 75° | 0 |
| 85° | 0 |



COEFFICIENTS OF UTILIZATION Zonal Cavity Method

| Room Cavity Ratio | % Effective Ceiling Cavity Reflectance | | | | | | | | | | | | | | | | | | | | |
|-------------------|--|-----|-----|-----|-----|-----|-----|-----|-----|-----|-----|-----|-----|----|----|----|-----|----|----|----|--|
| | 80% | | | | 70% | | | | 50% | | | | 30% | | | | 10% | | | | |
| | 70 | 50 | 30 | 10 | 70 | 50 | 30 | 10 | 70 | 50 | 30 | 10 | 70 | 50 | 30 | 10 | 70 | 50 | 30 | 10 | |
| 1 | 113 | 111 | 108 | 106 | 111 | 109 | 106 | 104 | 105 | 103 | 101 | 101 | 99 | 98 | 97 | 96 | 95 | | | | |
| 2 | 108 | 103 | 99 | 96 | 106 | 101 | 98 | 94 | 98 | 95 | 92 | 95 | 93 | 90 | 92 | 90 | 89 | | | | |
| 3 | 102 | 96 | 91 | 87 | 100 | 95 | 90 | 86 | 92 | 88 | 85 | 89 | 86 | 84 | 87 | 85 | 82 | | | | |
| 4 | 97 | 90 | 84 | 80 | 95 | 88 | 83 | 79 | 86 | 82 | 78 | 84 | 80 | 77 | 82 | 79 | 77 | | | | |
| 5 | 92 | 84 | 78 | 74 | 81 | 83 | 77 | 73 | 81 | 76 | 73 | 79 | 75 | 72 | 78 | 74 | 71 | | | | |
| 6 | 87 | 78 | 72 | 68 | 86 | 78 | 72 | 68 | 76 | 71 | 67 | 75 | 70 | 67 | 73 | 70 | 67 | | | | |
| 7 | 83 | 74 | 68 | 63 | 82 | 73 | 67 | 63 | 72 | 67 | 63 | 71 | 66 | 63 | 69 | 65 | 62 | | | | |
| 8 | 79 | 69 | 63 | 59 | 78 | 69 | 63 | 59 | 68 | 62 | 59 | 67 | 62 | 58 | 66 | 61 | 58 | | | | |
| 9 | 75 | 65 | 59 | 55 | 74 | 65 | 59 | 55 | 64 | 59 | 55 | 63 | 58 | 55 | 62 | 58 | 55 | | | | |
| 10 | 71 | 62 | 56 | 52 | 70 | 61 | 56 | 52 | 60 | 55 | 52 | 60 | 55 | 52 | 59 | 55 | 51 | | | | |

D2LED-2D9LED15L30K8WFL45CL

Test No. 17.02647

Test No. 17.02647

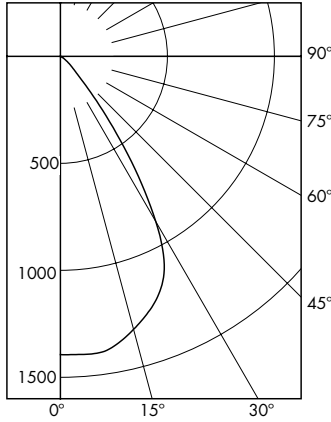
Tested at 25°C Ambient in accordance to IESNA LM-79-2008

D2LED Lens

2" LED LENS DOWNLIGHT
120/277V

D2LED-2D9LED15L30K8WFL45SL

LED Light Engine: 3000K, 80 CRI
System Wattage: 21.1
Fixture delivered lumens: 1460
Fixture Efficacy: 69.2
Spacing Criteria: 0.95



CANDELA DISTRIBUTION

| DEG | CANDELA |
|-----|---------|
| 0 | 1394 |
| 5 | 1398 |
| 15 | 1321 |
| 25 | 1140 |
| 35 | 518 |
| 45 | 94 |
| 55 | 27 |
| 65 | 7 |
| 75 | 0 |
| 85 | 0 |
| 90 | 0 |

ZONAL LUMEN SUMMARY

| ZONE | LUMENS | %LUMINAIRE |
|-------|--------|------------|
| 0-30 | 1016 | 69.6 |
| 0-40 | 1342 | 91.9 |
| 0-60 | 1453 | 99.5 |
| 0-90 | 1460 | 100.0 |
| 0-180 | 1460 | 100.0 |

LUMINANCE DATA IN CANDELA/SQ. METER

| Angle in Vertical | Average |
|-------------------|---------|
| 45° | 46511 |
| 55° | 16470 |
| 65° | 5795 |
| 75° | 0 |
| 85° | 0 |

COEFFICIENTS OF UTILIZATION Zonal Cavity Method

| Room Cavity Ratio | % Effective Ceiling Cavity Reflectance | | | | | | | | | | | | | | | | | | | | | | | | |
|-------------------|--|-----|-----|-----|-----|-----|-----|-----|-----|-----|-----|-----|----|----|----|-----|----|--|--|--|-----|--|--|--|--|
| | 80% | | | | | 70% | | | | | 50% | | | | | 30% | | | | | 10% | | | | |
| | 70 | 50 | 30 | 10 | 70 | 50 | 30 | 10 | 50 | 30 | 10 | 50 | 30 | 10 | 50 | 30 | 10 | | | | | | | | |
| 1 | 113 | 111 | 108 | 106 | 111 | 108 | 106 | 104 | 104 | 103 | 101 | 101 | 99 | 98 | 97 | 96 | 95 | | | | | | | | |
| 2 | 108 | 103 | 99 | 95 | 105 | 101 | 97 | 94 | 98 | 95 | 92 | 95 | 92 | 90 | 92 | 90 | 88 | | | | | | | | |
| 3 | 102 | 96 | 90 | 86 | 100 | 94 | 89 | 86 | 91 | 88 | 84 | 89 | 86 | 83 | 87 | 84 | 82 | | | | | | | | |
| 4 | 97 | 89 | 83 | 79 | 95 | 88 | 83 | 79 | 86 | 81 | 78 | 84 | 80 | 77 | 82 | 79 | 76 | | | | | | | | |
| 5 | 92 | 83 | 77 | 73 | 90 | 82 | 77 | 72 | 80 | 76 | 72 | 79 | 74 | 71 | 77 | 73 | 71 | | | | | | | | |
| 6 | 87 | 78 | 72 | 67 | 85 | 77 | 71 | 67 | 75 | 70 | 67 | 74 | 70 | 66 | 73 | 69 | 66 | | | | | | | | |
| 7 | 82 | 73 | 67 | 62 | 81 | 72 | 66 | 62 | 71 | 66 | 62 | 70 | 65 | 62 | 69 | 64 | 61 | | | | | | | | |
| 8 | 78 | 69 | 62 | 58 | 77 | 68 | 62 | 58 | 67 | 62 | 58 | 66 | 64 | 58 | 65 | 61 | 57 | | | | | | | | |
| 9 | 74 | 65 | 58 | 54 | 73 | 64 | 58 | 54 | 63 | 58 | 54 | 62 | 57 | 54 | 61 | 57 | 54 | | | | | | | | |
| 10 | 71 | 61 | 55 | 51 | 70 | 60 | 55 | 51 | 60 | 54 | 51 | 59 | 54 | 51 | 58 | 54 | 50 | | | | | | | | |

D2LED-2D9LED15L30K8WFL45SL

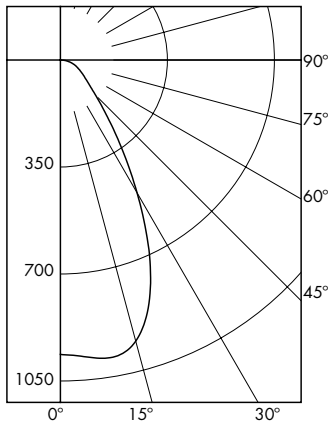
Test No. 17.02649

Test No. 17.02649

Tested at 25°C Ambient in accordance to IESNA LM-79-2008

D2LED-2D9LED15L30K8WFL45FLU

LED Light Engine: 3000K, 80 CRI
System Wattage: 21.1
Fixture delivered lumens: 1287
Fixture Efficacy: 57.9
Spacing Criteria: 0.92



CANDELA DISTRIBUTION

| DEG | CANDELA |
|-----|---------|
| 0 | 963 |
| 5 | 975 |
| 15 | 952 |
| 25 | 685 |
| 35 | 346 |
| 45 | 163 |
| 55 | 96 |
| 65 | 64 |
| 75 | 39 |
| 85 | 13 |
| 90 | 0 |

ZONAL LUMEN SUMMARY

| ZONE | LUMENS | %LUMINAIRE |
|-------|--------|------------|
| 0-30 | 668 | 54.7 |
| 0-40 | 887 | 72.6 |
| 0-60 | 1103 | 90.3 |
| 0-90 | 1222 | 100.0 |
| 0-180 | 1222 | 100.0 |

LUMINANCE DATA IN CANDELA/SQ. METER

| Angle in Vertical | Average |
|-------------------|---------|
| 45° | 113733 |
| 55° | 82578 |
| 65° | 74716 |
| 75° | 74345 |
| 85° | 73592 |

COEFFICIENTS OF UTILIZATION Zonal Cavity Method

| Room Cavity Ratio | % Effective Ceiling Cavity Reflectance | | | | | | | | | | | | | | | | | | | | | | | | |
|-------------------|--|-----|-----|-----|-----|-----|-----|-----|-----|----|-----|----|----|----|----|-----|----|--|--|--|-----|--|--|--|--|
| | 80% | | | | | 70% | | | | | 50% | | | | | 30% | | | | | 10% | | | | |
| | 70 | 50 | 30 | 10 | 70 | 50 | 30 | 10 | 50 | 30 | 10 | 50 | 30 | 10 | 50 | 30 | 10 | | | | | | | | |
| 1 | 111 | 108 | 104 | 101 | 109 | 106 | 103 | 100 | 101 | 99 | 97 | 98 | 96 | 94 | 94 | 93 | 91 | | | | | | | | |
| 2 | 104 | 98 | 92 | 88 | 102 | 96 | 91 | 87 | 93 | 89 | 85 | 89 | 86 | 83 | 87 | 84 | 81 | | | | | | | | |
| 3 | 97 | 89 | 83 | 78 | 95 | 88 | 82 | 77 | 85 | 80 | 76 | 82 | 78 | 75 | 80 | 76 | 73 | | | | | | | | |
| 4 | 91 | 82 | 75 | 70 | 89 | 81 | 74 | 69 | 78 | 73 | 68 | 76 | 71 | 67 | 74 | 70 | 67 | | | | | | | | |
| 5 | 86 | 75 | 68 | 63 | 84 | 74 | 68 | 63 | 72 | 67 | 62 | 71 | 66 | 62 | 69 | 65 | 61 | | | | | | | | |
| 6 | 81 | 70 | 63 | 58 | 79 | 69 | 62 | 57 | 67 | 61 | 57 | 66 | 61 | 56 | 64 | 60 | 56 | | | | | | | | |
| 7 | 76 | 65 | 58 | 53 | 74 | 64 | 57 | 53 | 63 | 57 | 52 | 62 | 56 | 52 | 60 | 55 | 52 | | | | | | | | |
| 8 | 72 | 61 | 54 | 49 | 70 | 60 | 53 | 49 | 59 | 53 | 49 | 58 | 52 | 48 | 57 | 52 | 48 | | | | | | | | |
| 9 | 68 | 57 | 50 | 45 | 67 | 56 | 50 | 45 | 55 | 49 | 45 | 54 | 49 | 45 | 53 | 48 | 45 | | | | | | | | |
| 10 | 65 | 53 | 47 | 42 | 63 | 53 | 47 | 42 | 52 | 46 | 42 | 51 | 46 | 42 | 50 | 45 | 42 | | | | | | | | |

D2LED-2D9LED15L30K8WFL45FLU

Test No. 17.02646

Test No. 17.02646

Tested at 25°C Ambient in accordance to IESNA LM-79-2008

D2LED Lens

2" LED LENS DOWNLIGHT
120/277V

CENTRAL INVERTERS

For full fixture output in back-up mode, we recommend you visit currentlighting.com/dual-lite for your Central Lighting Inverter options. Please contact your local Current representative for any assistance with proper sizing and loading of your inverter selection. Central lighting inverters must be ordered separately.

INSTALLATION HINTS

Daisy Chain:

Often times through branch wiring (Daisy Chaining) will be desired for installation of the D2LED in an application. There is one knock out available in the J-tube for the line voltage, and one for the low voltage control wires. To accomplish 2in/2out through branch wiring. Prescolite suggests the use of an Arlington Duplex Connector (PN 4040AST).

Ceiling Cut-out:

Due to the discrete trim flange on the D2LED, the accuracy of the 2-7/8" ceiling cut-out is critical to achieving the best results. Prescolite recommends making this cut-out with a 2-7/8" hole saw, such as one manufactured by the Morse Company (TAC46 and TACPD4).

Ceiling Clearance:

When no top access is available to the J-Tube, 8" of plenum clearance is recommended for the standard driver/J-Tube options. For DM01 option, 10-1/2" plenum clearance is recommended.

DIMMING COMPATIBILITY

For more details and recommended dimmer list, see Dimming Compatibility Information at www.currentlighting.com/prescolite.

ADDITIONAL NOTES

*Note: Use of the D2ICAT and D2CP can cause heat entrapment, which while safe to use, can shorten the expected life of this product from > 50,000 hours to 25,000 hours when used with the 12L or 95 CRI options. The product warranty in these applications will be 5 years, or 25,000 hours, whichever ever comes first.

*Note: Ceiling thickness maximum when using D2ICAT or D2CP is 5/8". Ceiling thickness maximum when using D2FRM is 1". Bar hangers not included, order B6 for ceiling joists up to 24" centers or B24 for T-bar ceilings.

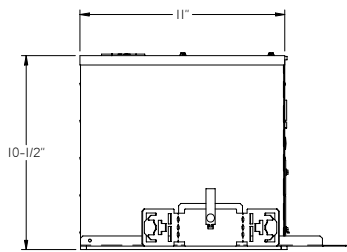
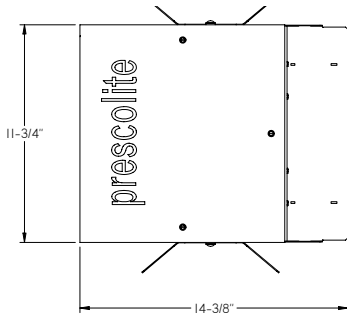
*Note: The standard product is designed and listed to be installed into most ceiling types without the use of an accessory frame. These frames are provided as an optional accessory to be used when desired by the end user to provide extra support or required by local code.

*Note: CP versions require the use of the D2ICAT accessory modified with metal plate in place of polycarbonate.

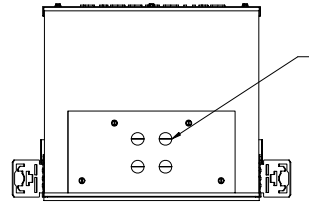
D2LED Lens

2" LED LENS DOWNLIGHT
120/277V

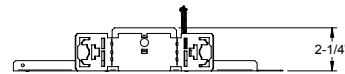
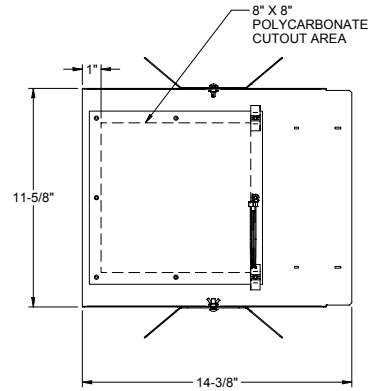
ACCESSORIES



D2ICAT/D2CP



Entry Points
For 3/8" Max.
MC Flex.
See instruction sheet
for installation details.
www.prescolite.com



D2FRM

