



# Step Cylinder

## AKTSCP20

## AKTSCP30

## AKTSCP38

One Line Voltage lamp up to 150W

DATE: \_\_\_\_\_ TYPE: \_\_\_\_\_

FIRM NAME: \_\_\_\_\_

PROJECT: \_\_\_\_\_

**ArchiTrak®**

For conversion to millimeters,  
multiply inches by 25.4  
Not to Scale

**APPLICATIONS:**

Prescolite's ArchiTrak® series of step cylinders offers a look that can be incorporated into a wide variety of commercial, hospitality and retail applications.

**TRAK FIXTURE:**

Heavy gauge formed steel with knobless mounting. Spun steel baffle with black baked enamel finish. Rotates 110° vertically and 358° horizontally. Diecast swivel connector has solid copper contact bars, fixed for one or two circuit connection without modification. Baked enamel finish available in black (BL) or white (WH).

**LAMP:**

Use one (1) of the following lamps. Lamps furnished by others.

AKTSCP20: 60-75W PAR16, 20-50W PAR20, 30-75W R20

AKTSCP30: 50-75W PAR30L/PAR30, 50-80W BR30

AKTSCP38: 45-150W PAR38, 75-150W BR40

**SOCKET:**

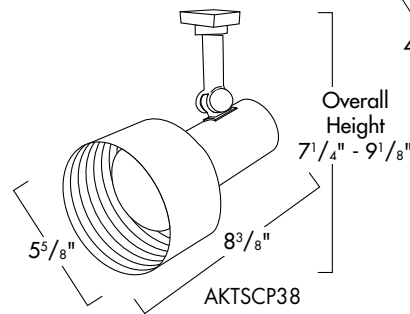
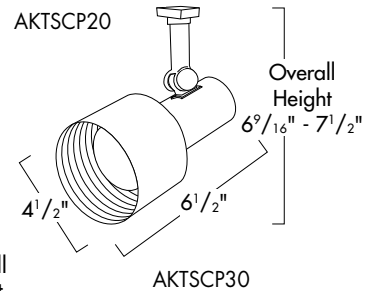
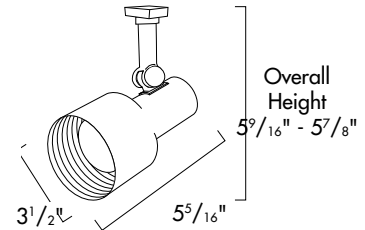
Porcelain socket wired with 150° C wire internal to diecast swivel.

**INSTALLATION:**

Easy installation onto ArchiTrak® one/two circuit trak.

**LABELS:**

CSA NRTL/C Listed



CATALOG NUMBER:

EXAMPLE: AKTSCP30BL-AKTA30BL-DL30

TRAK FIXTURE	ACCESSORIES	ACCESSORIES	ACCESSORIES	ACCESSORIES
<input type="checkbox"/> <b>AKTSCP20 BL</b> <input type="checkbox"/> <b>AKTSCP20 WH</b> Line voltage step cylinder, PAR-20 75W max	<u>ACCESSORY HOLDER</u> FIXTURE #AKTSCP20 <input type="checkbox"/> <b>AKTA20 BL</b> <input type="checkbox"/> <b>AKTA20 WH</b>	<u>EGGCRATE LOUVERS<sup>1</sup></u> FIXTURE #AKTSCP20 <input type="checkbox"/> <b>AKTE20 BL</b> <input type="checkbox"/> <b>AKTE20 WH</b>	<u>LINEAR SPREAD LENS<sup>1</sup></u> FIXTURE #AKTSCP30 <input type="checkbox"/> <b>SL30</b> FIXTURE #AKTSCP38 <input type="checkbox"/> <b>SL38</b>	GREEN FIXTURE #AKTSCP38 <input type="checkbox"/> <b>GRL38</b>
<input type="checkbox"/> <b>AKTSCP30 BL</b> <input type="checkbox"/> <b>AKTSCP30 WH</b> Line voltage step cylinder, PAR-30 80W max	FIXTURE #AKTSCP30 <input type="checkbox"/> <b>AKTA30 BL</b> <input type="checkbox"/> <b>AKTA30 WH</b>	FIXTURE #AKTSCP30 <input type="checkbox"/> <b>AKTE30 BL</b> <input type="checkbox"/> <b>AKTE30 WH</b>	<u>COLOR FILTERS<sup>1</sup></u> AMBER FIXTURE #AKTSCP38 <input type="checkbox"/> <b>AML38</b>	<u>UV FILTER</u> FIXTURE #AKTSCP20 <input type="checkbox"/> <b>UV20</b> FIXTURE #AKTSCP30 <input type="checkbox"/> <b>UV30</b> FIXTURE #AKTSCP38 <input type="checkbox"/> <b>UV38</b>
<input type="checkbox"/> <b>AKTSCP38 BL</b> <input type="checkbox"/> <b>AKTSCP38 WH</b> Line voltage step cylinder, PAR-38 150W max	<u>BARN DOORS<sup>1</sup></u> FIXTURE #AKTSCP20 <input type="checkbox"/> <b>AKTB20 BL</b> <input type="checkbox"/> <b>AKTB20 WH</b>	<u>DIFFUSION LENS<sup>1</sup></u> FIXTURE #AKTSCP30 <input type="checkbox"/> <b>DL30</b> FIXTURE #AKTSCP38 <input type="checkbox"/> <b>DL38</b>	BLUE FIXTURE #AKTSCP38 <input type="checkbox"/> <b>BLL38</b>	
	FIXTURE #AKTSCP30 <input type="checkbox"/> <b>AKTB30 BL</b> <input type="checkbox"/> <b>AKTB30 WH</b>			
	FIXTURE #AKTSCP38 <input type="checkbox"/> <b>AKTB38 BL</b> <input type="checkbox"/> <b>AKTB38 WH</b>			

<sup>1</sup> Accessory holder required

# ArchiTrak® - Line Voltage Step Cylinder AKTSCP20, AKTSCP30, AKTSCP38

---



Web: [www.prescolite.com](http://www.prescolite.com) • Tech Support: **(888) 777-4832**  
701 Millennium Blvd., Greenville, SC 29607 U.S.A. • Phone (864) 678-1000  
Copyright ©2015 Prescolite, Inc., a division of Hubbell Lighting, Inc. All Rights Reserved  
Specifications subject to change without notice. • Printed in U.S.A. • LFO/INC-010 • 5/6/15

