

COBRA SCROLL

COBRA ARM

SPECIFICATIONS

CONSTRUCTION

- All cast aluminum parts shall be low copper alloy A356. All extruded aluminum parts shall be alloy 6061-T6, 6063-T5 or equal
- End of arm 2 3/8 Ø
- All fasteners shall be Corrosion Resistant. When tamper resistant fasteners are required, spanner HD (snake eye) style shall be provided (special tool required, available at additional cost)

FINISH

- Durable thermoset polyester powder coat paint finish with nominal 3.0 mil thickness
- Powder paint finish coat available in twelve standard color; Custom colors available; RAL number preferable

WARRANTY

- 5 year warranty



ORDERING GUIDE





Example: AA-10S-S-4-C-S-BBT

CATALOG #

Model	Post Shaft Profile	Post Shaft Diameter	Arrangement	S Luminaire Mounting	Color
AA-10S Cobra Scroll	W Wall mount S Smooth F Fluted	4 4" 5 5" 6 6"	A Wall Mount B Single Mount C Twin Mount F 3 @ 120°	S Slide	DB Dark Bronze Textured BL Black Matte Textured PS Platinum Silver WH White Textured GYS Gray Smooth BZT Bronze Textured BBT Basic Black Textured RAL _____

EPA INDEX INFORMATION

AA-10S Arrangement (EPA index ft²)

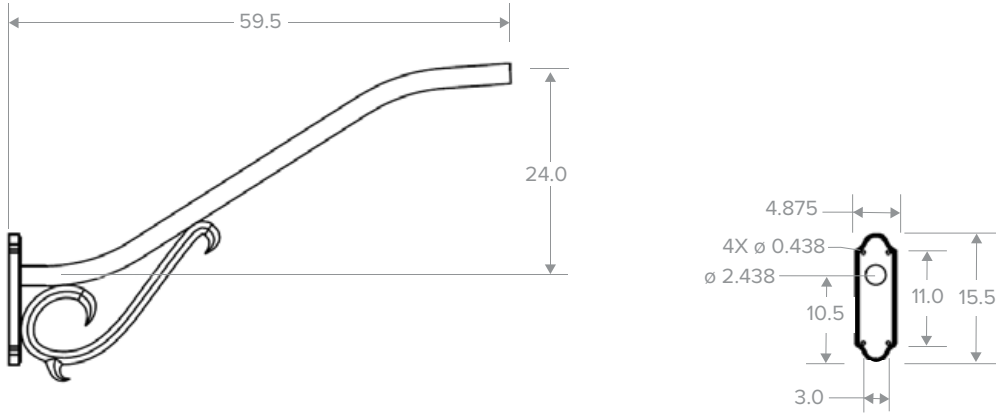
				
Size	A	B	C	F
Ø 4"	–	2.09	3.61	5.13
Ø 5"	–	2.23	3.75	5.27
Ø 6"	–	2.353	3.873	5.393
Wall	1.52	–	–	–

COBRA SCROLL

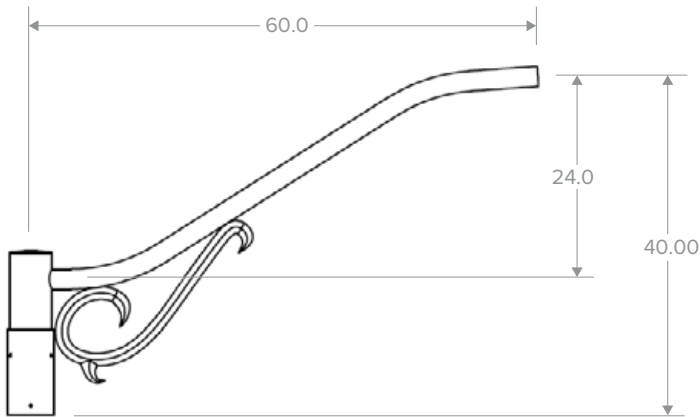
COBRA ARM

DIMENSIONS

Wall Bracket & Plate



Single Arm Mount



Twin Arm Mount

