



012089401

NICKEL-CADMIUM (NI-CD) BATTERY
4.8 VDC, 600 MAH

DATE:	LOCATION:
TYPE:	PROJECT:
CATALOG #:	

FEATURES

- 4.8VDC Dual-Lite approved Nickel Cadmium (Ni-Cd) battery
- Made with the highest quality components
- Provides 4.8V and 600mAh of emergency backup capacity
- Tested and approved to UL's Emergency Lighting and Power Equipment standard (UL 924) for use with Dual-Lite's older LX, LE and SE emergency exit sign products utilizing the EZ-Plug mounting hardware



SPECIFICATIONS

- **Part Number:** 012089401
- **Alternate Part Number:** 12-89401
- **Chemistry Type:** Nickel-Cadmium (Ni-Cd)
- **Configuration:** 4 "AA" type cells
- **Dimensions:**
 - Height (H): 1.19 inches (max)
 - Length (L): 2.13 inches (max)
 - Width (W): 1.19 inches (max)
 - Weight: Approx. 0.18 lbs
- **Operating Temperature:** 0°C to 40°C
- **Termination:** 0.1" pitch, 2-pole, crimp type terminal (Molex2-01-3027)
- **Performance:** Provides hundreds of full discharge cycles
- Safety valve design
- Usable in any position.

Electrical Specifications		
Nominal Voltage	4.8VDC	
Rated Capacity	600 mAh @ 5 hour rate	
Standard discharge current	120 mA to 4V	
Cut-Off Voltage	4V	
Standard charging current	60 mA x 15 hrs	
Internal resistance	< 384 mOhm (fully charged @ 1000Hz)	
Capacity (25 °C)	5 hour rate	600 mAh
	2 hour rate	540 mAh

WARRANTY

- 2 year full, 8 year pro-rata

WARNING: The use of unauthorized batteries in life safety products may cause product failure and increases the risk of injury to those you or your company are trying to protect. Additionally, use of batteries that are not approved by the Original Equipment Manufacturer may void the product's warranty and exposes you or your company to increased potential for litigation. Only batteries approved by Dual-Lite are authorized for use with Dual-Lite products.

CAUTION: Never charge or discharge a battery in a hermetically sealed enclosure. Batteries generate a mixture of gases internally. Given the right set of circumstances, such as extreme overcharging or shorting of the battery, these gases might vent into the enclosure and create the potential for an explosion when ignited by a spark. Do not attempt to disassemble batteries. Contact with alkaline electrolyte may cause harm. Should it occur, wash skin or clothes with liberal amounts of water. Do not throw batteries into a fire; batteries so disposed may rupture or explode. Disassembled batteries are hazardous waste and must be treated accordingly. Nickel - Cadmium batteries must be recycled or disposed of properly.



DATE: _____ LOCATION: _____

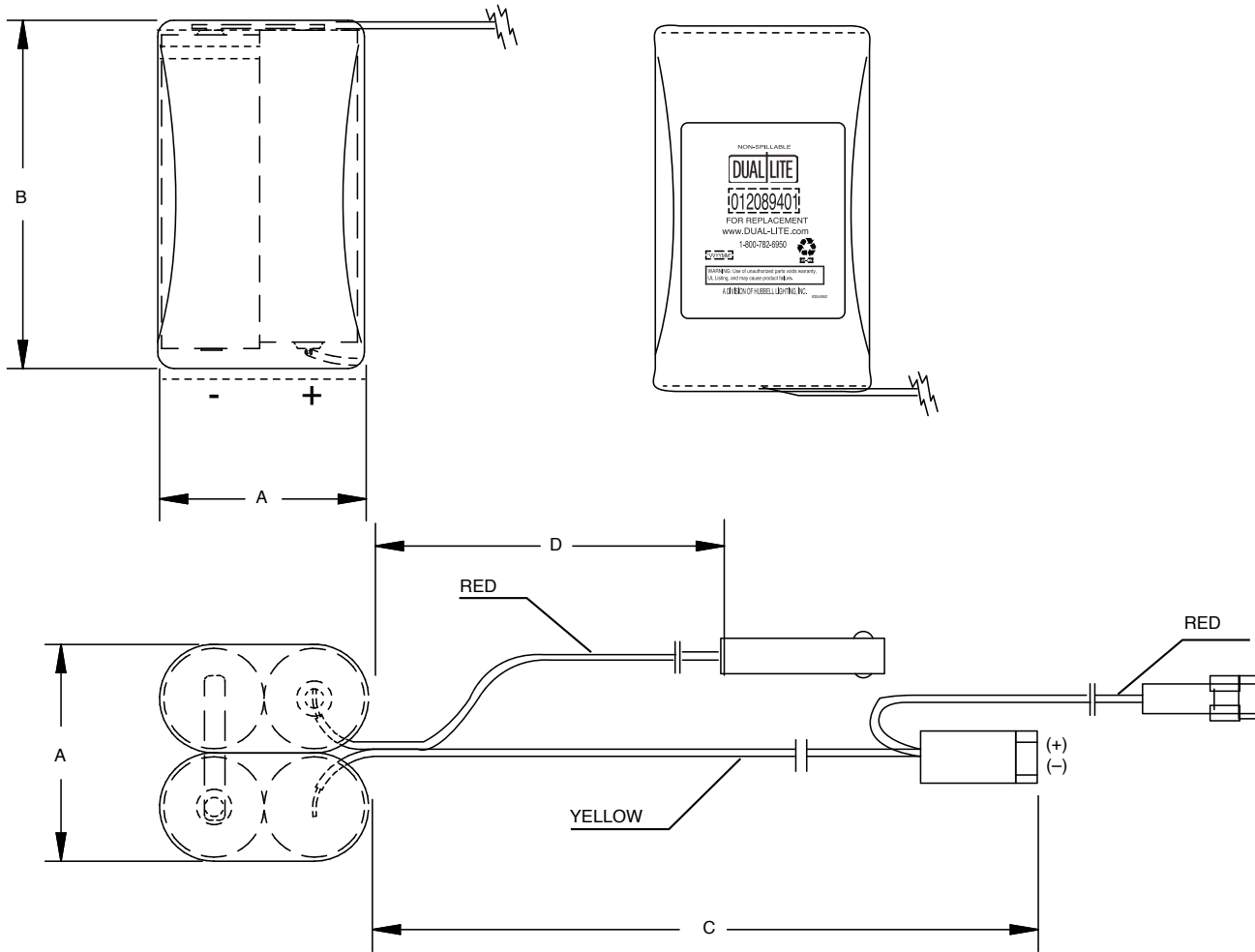
TYPE: _____ PROJECT: _____

CATALOG #: _____

012089401

NICKEL-CADMIUM (NI-CD) BATTERY
4.8 VDC, 600 MAH

DIMENSIONS



Battery Dimensions			
A	1.19	D	2.25-2.75
B	2.13		
C	6.0-6.5		