



93011385

NICKEL-CADMIUM (NI-CD) BATTERY
8.4 VDC, 2500 MAH

DATE:	LOCATION:
TYPE:	PROJECT:
CATALOG #:	

FEATURES

- 8.4VDC Dual-Lite approved Nickel Cadmium (Ni-Cd) battery
- Made with the highest quality components
- Provides 8.4V and 2500mAh of emergency backup capacity
- Tested and approved to UL's Emergency Lighting and Power Equipment standard (UL 924) for use with Dual-Lite's PG series of emergency lighting products

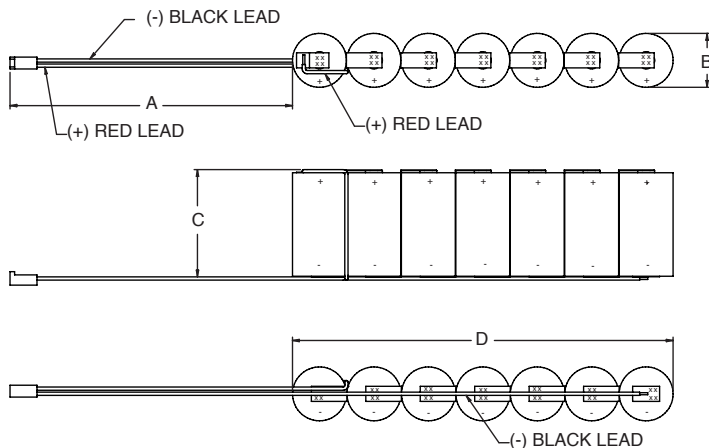
SPECIFICATIONS

- **Part Number:** 93011385
- **Chemistry Type:** Nickel-Cadmium (Ni-Cd)
- **Configuration:** 7 "C" Type Cells
- **Dimensions:**
 - Height (H): 2.18 inches (max)
 - Length (L): 7.18 inches (max)
 - Width (W): 1.12 inches (max)
 - Weight: Approx. 1.08 lbs
- **Operating Temperature:** 0°C to 45°C
- **Termination:** 0.1" pitch, 2-pole, crimp type terminal (AMP 1375820-2)
- **Performance:** Provides hundreds of full discharge cycles

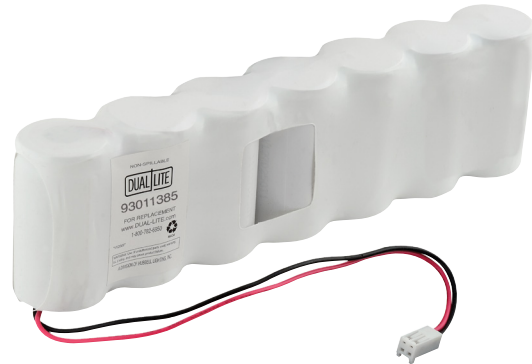
WARRANTY

- 2 year full, 8 year pro-rata

DIMENSIONS



Battery Dimensions	
A	6.5–7.0
B	1.12
C	2.18
D	7.18



Electrical Specifications		
Nominal Voltage	8.4VDC	
Rated Capacity	2500 mAh @ 5 hour rate	
Standard discharge current	500 mA to 7V	
Cut-Off Voltage	7V	
Standard charging current	250 mA x 15 hrs	
Internal resistance	< 210 mOhm (fully charged @ 1000Hz)	
Capacity (25 °C)	5 hour rate	2500 mAh
	2 hour rate	2250 mAh

WARNING: The use of unauthorized batteries in life safety products may cause product failure and increases the risk of injury to those you or your company are trying to protect. Additionally, use of batteries that are not approved by the Original Equipment Manufacturer may void the product's warranty and exposes you or your company to increased potential for litigation. Only batteries approved by Dual-Lite are authorized for use with Dual-Lite products.

CAUTION: Never charge or discharge a battery in a hermetically sealed enclosure. Batteries generate a mixture of gases internally. Given the right set of circumstances, such as extreme overcharging or shorting of the battery, these gases might vent into the enclosure and create the potential for an explosion when ignited by a spark. Do not attempt to disassemble batteries. Contact with alkaline electrolyte may cause harm. Should it occur, wash skin or clothes with liberal amounts of water. Do not throw batteries into a fire; batteries so disposed may rupture or explode. Disassembled batteries are hazardous waste and must be treated accordingly. Nickel - Cadmium batteries must be recycled or disposed of properly.