



CCU2 Series

CHICAGO LED STEEL EMERGENCY UNIT

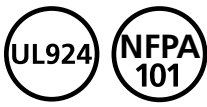
DATE: _____ LOCATION: _____

TYPE: _____ PROJECT: _____

CATALOG #: _____

FEATURES

- 20-gauge steel housing provides strength and durability.
- Remote capacity or extended runtime standard
- AC power on LED indicator with push-to-test switch
- Knockouts for wall mounting
- Lampheads may be top or side mounted



SPECIFICATIONS

APPLICATION

- The CCU2 Series offers emergency lighting for commercial applications
- Meets City of Chicago code requirements

CONSTRUCTION

- The housing is made of heavy-duty 20 gauge steel in white finish
- The two 3.3W Lamp heads in white finish are adjustable

INSTALLATION

- Knockouts are located on the back for wall mounting
- Side and top knockouts for conduit feed applications

ILLUMINATION

- Two 6V, 3.3W Lamp provide over 670 lumens
- 120 minute runtime or remote capacity standard
- Unit supports one CRHI single remote lamphead or five CRHO remote lampheads (ordered separately)
- Photometrics available for download on Dual-Lite website

COMPLIANCES

- Listed to UL924 Standard
- City of Chicago Fire Code Approved
- Damp Location Listed (20°C to 50°C)
- NFPA 101
- NEC
- OSHA

WARRANTY

- Full 5 year warranty

ORDERING GUIDE

CATALOG #

CCU2RC2					
Model		Remote Capacity		Accessories (Order Separately)	
CCU2RC2	Chicago LED Steel Emergency Unit	Blank	5.4 Watts	CRHO	1 Watt Outdoor Remote for Chicago
				CRHI	5.3 Watt Indoor Remote for Chicago



CCU2 Series

CHICAGO LED STEEL EMERGENCY UNIT

DATE: _____ LOCATION: _____

TYPE: _____ PROJECT: _____

CATALOG #: _____

ELECTRONICS

100% solid state switching includes low voltage disconnect to prevent full battery discharge and AC lock-out feature. Emergency model includes maintenance-free sealed lead acid battery with capacity to run the LED's for a minimum of 90 minutes. (Units not running remote heads have an extended run-time of 120 minutes.) Full recharge within 24 hours. All models supplied with a dual voltage input which accepts 120 or 277VAC. Includes pre-stripped AC pigtail leads, test switch and AC-on indicator.

Battery Type: Sealed Lead Acid

Input: Dual 120/277 voltage

Operating Temperature Range : 20°C to 50°C

WEIGHT:

CCU2RC2: 8.2 lbs (3.72 kg)



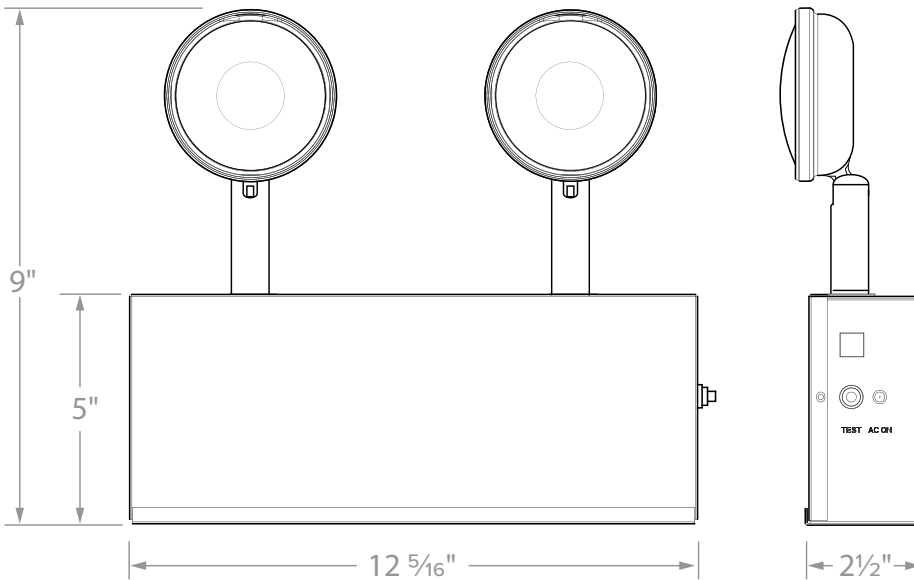
CRHO
Outdoor Remote Head

CRHI
Indoor Remote Head

MAXIMUM POWER CONSUMPTION

Catalog Number	INPUT WATTS (W)		INPUT AMPS (A)	
	120V	277V	120V	277V
CCU2RC	8.4	9.4	0.08A	0.04A

DIMENSIONS



UNIT SPACING

Mounting Height (H)	Illumination Level	Single Unit	Multiple Unit
		6' Path (PW)	
7.5'	1fc Avg	56'	66'
10'		52'	61'

