



CRU Series

CHICAGO STEEL RECESSED UNIT

DATE: _____ LOCATION: _____

TYPE: _____ PROJECT: _____

CATALOG #: _____

FEATURES

- Chicago Recessed Unit
- Battery Runtime: 120 min
- Battery Type: Sealed Lead Acid
- Color: White
- Number of Lamps: 2,
- Lamp Type: 12W Halogen
- Voltage Rating: 120/277 VAC
- Wattage: 27 W.
- AC-on and test switch



SPECIFICATIONS

APPLICATION

- The CRU Series offers emergency lighting for commercial applications.
- Designed for use with T-grid ceilings.
- The housing is made of durable 20-gauge steel providing strength and durability.
- AC power on LED indicator with push-to-test switch.
- Meets City of Chicago code requirements.

CONSTRUCTION

- The housing is made of heavy-duty 20 gauge steel in white finish.
- Knockouts are located on the back for wall mounting.
- Side and top knockouts for conduit feed applications.
- 12W Lamp heads in white finish are adjustable.

INSTALLATION

- Designed for recessed mounting in suspended grid ceilings.
- The trim plate dimensions allow placement of the unit between the suspended ceiling's grid support structure.
- The unit must be fastened to the building's structure in accordance with local codes; holes in the unit's mounting ears facilitate this requirement.
- Ceiling tile may require trimming for finished installation.
- AC, DC battery and remote fixture connections are made inside the unit housing.
- Lampheads attach directly to unit trim plate.
- AC input leads are provided for wiring.
- All AC connections made inside unit housing.

ILLUMINATION

- Lamp housings are fully adjustable.
- Lighting is provided by a 6 volt, 12 watt halogen lamps.
- Lamps have a rated life of 100 hours.

COMPLIANCES

- Listed to UL924 Standard
- City of Chicago Fire Code Approved
- Damp Location Listed (20°C to 50°C)
- NFPA 101
- NEC
- OSHA

WARRANTY

- Full 5 year warranty



CRU Series

CHICAGO STEEL RECESSED UNIT

DATE: _____ LOCATION: _____

TYPE: _____ PROJECT: _____

CATALOG #: _____

ORDERING GUIDE

CATALOG # _____

| CRU | | Remote Capacity | |
|-------|-----------------------------|-----------------|----------------------------|
| Model | | Blank | RC |
| CRU | Chicago Steel Recessed Unit | 27 Watts | 50 Watts (Remote Capacity) |

| Accessories (Order Separately) | |
|--------------------------------|----------------------------|
| CRHO | Outdoor Remote for Chicago |
| CRHI | Indoor Remote for Chicago |

ELECTRONICS

100% solid state switching includes low voltage disconnect to prevent full battery dis-charge and AC lock-out feature. Unit includes maintenance-free nickel-cadmium battery with capacity to run the integral lamps for 120 minutes. 24 hour battery re-charge. All models supplied with a dual voltage input which accepts 120 or 277VAC. Includes pre-stripped AC pigtail leads. Includes test switch and AC-on indicator.

Battery Type: Sealed Lead Acid

Input: Dual 120/277 voltage

Operating Temperature Range : 20°C to 50°C

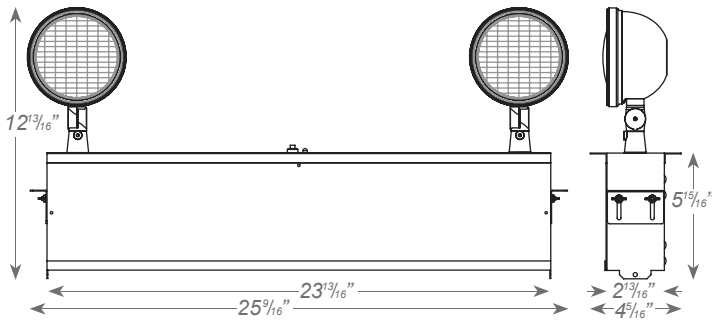
Weight: 14.36



Outdoor Remote Head

Indoor Remote Head

DIMENSIONS



MAXIMUM POWER CONSUMPTION

| Catalog Number | INPUT WATTS(W) | | INPUT AMPS (A) | |
|----------------|----------------|------|----------------|-------|
| | 120V | 277V | 120V | 277V |
| CRU | 11 | 11 | 0.11 | 0.04A |
| CRURC | 18 | 18 | 0.17 | 0.07A |

CRU RUNTIME CHART

| CATALOG NUMBER | DC VOLTS | STANDARD LAMP | REMOTE CAPACITY | REMOTE WATTS | TOTAL WATTS FOR: | | | |
|----------------|----------|---------------|-----------------|--------------|------------------|---------|------|------|
| | | | | | 1 1/2 HOURS | 2 HOURS | 120V | 277V |
| CRU | 6 | 12W | No | 0 | 27 | - | - | - |
| CRURC | 6 | 12W | Yes | 26 | 50 | 37 | 24 | 11 |