



EV4R Series

RECESSED CEILING MOUNT LED EMERGENCY LIGHT

DATE:	LOCATION:
TYPE:	PROJECT:
CATALOG #:	

FEATURES

- Choice of round or rectangular trim-plate in white or black finish
- 4 LEDs housed within an aluminum heat-sink and adjustable optic assembly
- Individual LEDs are driven at 1 watt each for 88 lumens per LED
- Offers up to 42' spacing on a 6' path
- Part of the Evolution (EV) Life Safety family

EV FAMILY



SPECIFICATIONS

APPLICATION

- The EV4R Series is a ceiling mounted, recessed emergency light with superior emergency lighting coverage
- The EV4R provides 90 minutes of emergency illumination when primary power is lost
- The EV4R Series has a flame-rated, UV stable thermoplastic housing and choice of round or square trim-plate in white or black finish
- The 4 LEDs are housed within an aluminum heat-sink and adjustable optic assembly. Each LED is driven at 1 watt each
- Includes micro-controlled pulse charger and nickel metal hydride (NiMH) battery
- The EV accepts 120/277VAC input at 50 or 60 Hz
- Unit can be applied at 220-240VAC input without self-diagnostic option
- The EV4R is approved for use in the City of Chicago with the addition of a KIT-EV4R-CP which includes a gasket, foil tape and special installation instructions

CONSTRUCTION

- The EV4R housing and trim-plate is made of flame-rated, UV stable thermoplastic with a lightly textured white or black finish
- Each LED is housed in an aluminum heat-sink

CONSTRUCTION (CONTD.)

- Adjustable optic assembly is made of ABS thermoplastic
- LED lens are made of acrylic. Includes a steel back-box and caddy-bar assembly

INSTALLATION

- The EV4R includes a round or square trim-plate with a rough-in template for back-box installation
- Includes a caddy bar assembly for mounting within a T-Grid ceiling
- Conduit entry through knock-outs in the back-box
- Pre-stripped AC input leads provided. Unit designed for ceiling mount only.

ILLUMINATION

- The EV Series provides bright and uniform illumination and increased spacing by using 4 high power LEDs which are mounted in an adjustable optic assembly in 2 pairs
- Adjustability is based on mounting height for optimal light pattern
- LED's are driven at 1 watt each for 88 lumens per LED
- Photometrics are available for download on the Dual-Lite website.

COMPLIANCES

- Listed to UL924 Standard
- NFPA 101
- NFPA 70
- Damp Location Listed
- CEC T20 Compliant

WARRANTY

- LED Lifetime Warranty
- EV4R Full 3 year warranty
- EV 4R with Spectron® Full 5 year warranty

KEY DATA	
Total Lamp Output	1W, 88 Lumens per LED
System Efficacy (LPW)	80
Rated LED Lifecycle (Hours)	> 100,000



EV4R Series

RECESSED CEILING MOUNT LED EMERGENCY LIGHT

DATE: _____ LOCATION: _____

TYPE: _____ PROJECT: _____

CATALOG #: _____

ORDERING GUIDE

Example: EV4RB

CATALOG #

EV		Capacity	Recessed	Self-Diagnostics		Finish	
Model							
EV Series	4	4 Watt	R	Blank	No Self-Diagnostics	Blank	White
				I	Spectron® Self-Test/Self-Diagnostics ²	B	Black

Accessories

KIT-EV4R-CP Kit for Chicago Plenum Rating⁴

Notes:

- 1 Each model includes round or square trim-plate
- 2 Each model is damp listed
- 3 Not for 220-240VAC input
- 4 KIT-EV4R-CP adds gasket and foil tape to meet City of Chicago Plenum Rating

ELECTRONICS

Upon failure of normal utility power, a solid-state transfer switch automatically activates the emergency LED lamp-heads. Upon resumption of normal utility power, the battery is disconnected from the load and recharged through a microprocessor controlled pulse charger. The battery is a maintenance-free Nickel Metal Hydride(NiMH) type. The EV4R series accepts dual-voltage input of 120 or 277VAC at 50 or 60 Hz. Unit can be applied at 220-240VAC input at 50-60 Hz. without the self-diagnostic option. A low voltage battery disconnect (LVD) feature protects the battery from severe damage during prolonged power failures. Manual testing is available at any time using the push-to-test button. Number of Lamps- 4 High Power LEDs at 1 watt each configured so that if 1 lamp malfunctions, the remaining lamp will continue to provide illumination.

STANDARD FEATURES INCLUDE

- Intelligent 2-wire input connection
- External push-to-test switch and AC-on indicator
- Battery re-charge within 24 hours
- AC Lock-out circuit
- Low voltage disconnect
- Conduit entry knock-out located at the top center
- Microprocessor controlled pulse charger

MAXIMUM POWER CONSUMPTION

	AC Voltage	Hz.	Amps.	Max. Watts	Power Factor
EV4R	120	60	0.022	2.00	0.73
	240	60	0.015	2.51	0.65
	277	60	0.014	2.75	0.63

Maintenance mode power consumption less than 0.5 watts.

OPTIONAL SPECTRON FEATURE

- Self-diagnostics monitors LED status, LED load transfer circuit, battery capacity and charger function and displays any fault detection by means of a flashing code
- Self-Test feature automatically runs a 1 minute test once a month and an alternating 30 or 60 minute test once every 6 months. Multi-color LED indicator provides visible fault detection and charging status
- User initiated 1 or 90-minute system test feature
- 15 minute re-transfer delay
- Automatic unit transfer in brown-out conditions (below 80% of nominal AC input voltage)

OPERATING TEMPERATURE RANGE

Damp Listed: 50° to 104°F (10° to 40°C)

WEIGHT

3.0 lbs



EV4R Series

RECESSED CEILING MOUNT LED EMERGENCY LIGHT

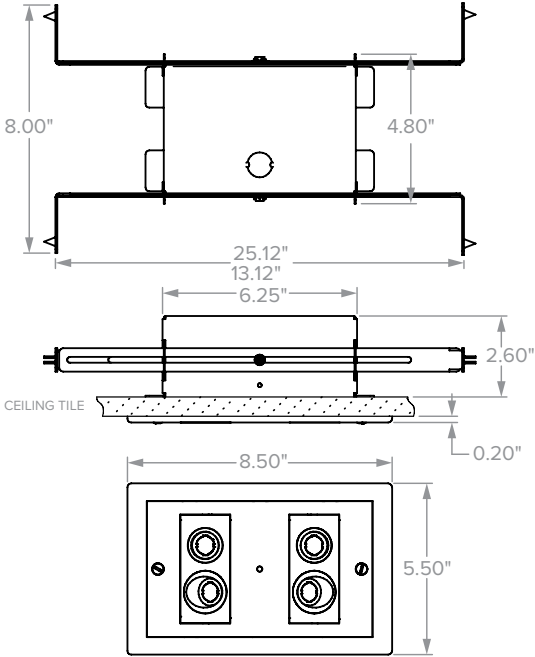
DATE: _____ LOCATION: _____

TYPE: _____ PROJECT: _____

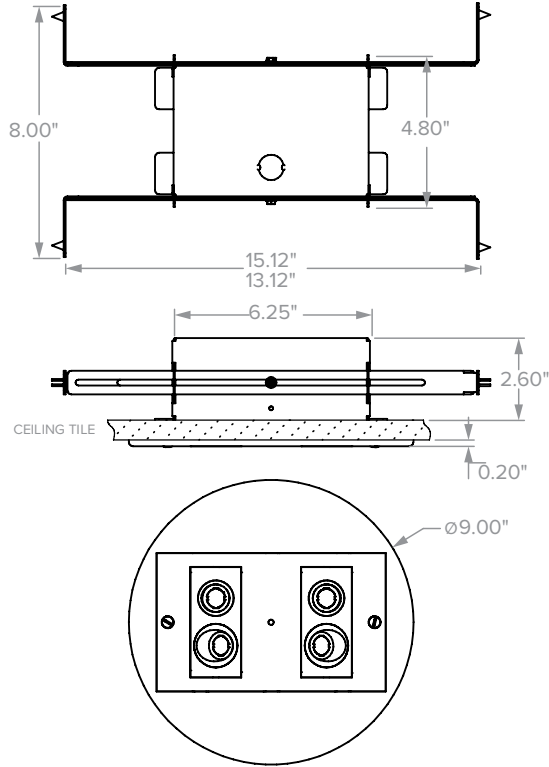
CATALOG #: _____

DIMENSIONS

Rectangle

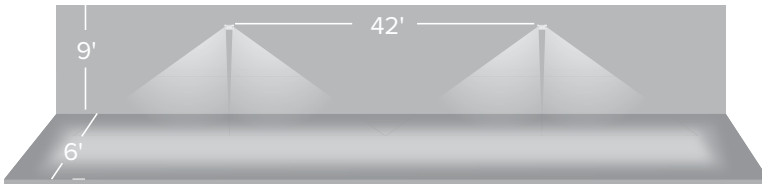


Round



APPLICATION INFORMATION

Multi-Unit Spacing



Ceiling Height: 9'
 Path Width: 6'
 Spacing: 42'

Meets Life Safety Code minimum illuminance of 0.1 fc and average illuminance of 1.0 fc.
 Assumes open space with no obstructions, ceiling height of 9' and reflectances of 80/50/20.
 Photometry files available on the Dual-Lite web site.

Photometric file reference:
 Position 1- 9' Mounting Height
 Position 2- 10' Mounting Height
 Position 3- 11' Mounting Height
 Position 4- 12' Mounting Height

Refer to Instruction Sheet for lamp-head position at installation to maximize spacing